

SECTION **AT**

CONTENTS

PREPARATION AND PRECAUTIONS	2	TROUBLE DIAGNOSIS FOR DTC P0710	65
Special Service Tools	2	A/T Fluid Temperature Sensor Circuit and A/T	
Commercial Service Tools	5	Control Unit Power Source.....	65
Supplemental Restraint System (SRS) "AIR		TROUBLE DIAGNOSIS FOR DTC P0720	68
BAG"	6	Vehicle Speed Sensor-A/T (Revolution sensor)	68
Precautions for On Board Diagnostic (OBD)		TROUBLE DIAGNOSIS FOR DTC P0725	70
System of A/T and Engine.....	6	Engine Speed Signal.....	70
Precautions	7	TROUBLE DIAGNOSIS FOR DTC P0731	72
Service Notice or Precautions	8	Improper Shifting to 1st Gear Position	72
OVERALL SYSTEM	9	TROUBLE DIAGNOSIS FOR DTC P0732	75
A/T Electrical Parts Location	9	Improper Shifting to 2nd Gear Position.....	75
Circuit Diagram for Quick Pinpoint Check.....	10	TROUBLE DIAGNOSIS FOR DTC P0733	78
Wiring Diagram — AT —	11	Improper Shifting to 3rd Gear Position.....	78
Cross-sectional View	18	TROUBLE DIAGNOSIS FOR DTC P0734	81
Hydraulic Control Circuit.....	19	Improper Shifting to 4th Gear Position.....	81
Shift Mechanism	20	TROUBLE DIAGNOSIS FOR DTC P0740	86
Control System	22	Torque Converter Clutch Solenoid Valve	86
ON BOARD DIAGNOSTIC SYSTEM		TROUBLE DIAGNOSIS FOR DTC P0744	89
DESCRIPTION	24	Improper Lock-up Operation.....	89
Introduction	24	TROUBLE DIAGNOSIS FOR DTC P0745	94
One or Two Trip Detection Logic.....	24	Line Pressure Solenoid Valve	94
Diagnostic Trouble Code (DTC)	24	TROUBLE DIAGNOSIS FOR DTC P0750	97
Self-diagnosis	26	Shift Solenoid Valve A	97
Diagnosis by CONSULT	31	TROUBLE DIAGNOSIS FOR DTC P0755	100
TROUBLE DIAGNOSIS — Introduction	34	Shift Solenoid Valve B	100
Introduction	34	TROUBLE DIAGNOSIS FOR DTC P1705	103
Diagnostic Worksheet.....	35	Throttle Position Sensor	103
Work Flow	38	TROUBLE DIAGNOSIS FOR DTC P1760	105
TROUBLE DIAGNOSIS — Basic Inspection	39	Overrun Clutch Solenoid Valve	105
A/T Fluid Check	39	TROUBLE DIAGNOSIS FOR VHCL SPEED	
Road Test.....	39	SEN-MTR	108
Shift Schedule.....	49	Vehicle Speed Sensor-MTR.....	108
TROUBLE DIAGNOSIS — General Description	50	DIAGNOSTIC PROCEDURES FOR SYMPTOMS	110
Diagnostic Trouble Code (DTC) Chart	50	1. O/D OFF Indicator Lamp Does Not Come On... 110	
Symptom Chart.....	52	2. Engine Cannot Be Started In "P" and "N"	
A/T Control Unit Terminals and Reference Value	55	Position	111
TROUBLE DIAGNOSIS FOR DTC P0705	59	3. In "P" Position, Vehicle Moves Forward Or	
Inhibitor, Overdrive Control and Throttle Position		Backward When Pushed	111
Switches.....	59	4. In "N" Position, Vehicle Moves	112

CONTENTS (Cont'd)

5. Large Shock. "N" → "R" Position.....	113	Control Cable Adjustment.....	140
6. Vehicle Does Not Creep Backward In "R" Position	114	Differential Side Oil Seal Replacement.....	140
7. Vehicle Does Not Creep Forward In "D", "2" Or "1" Position.....	115	REMOVAL AND INSTALLATION	141
8. Vehicle Cannot Be Started From D ₁	116	Removal.....	141
9. A/T Does Not Shift: D ₁ → D ₂ Or Does Not Kickdown: D ₄ → D ₂	117	Installation.....	141
10. A/T Does Not Shift: D ₂ → D ₃	118	MAJOR OVERHAUL	143
11. A/T Does Not Shift: D ₃ → D ₄	119	Oil Channel	146
12. A/T Does Not Perform Lock-up	120	Locations of Adjusting Shims, Needle Bearings, Thrust Washers and Snap Rings	147
13. A/T Does Not Hold Lock-up Condition.....	121	DISASSEMBLY	148
14. Lock-up Is Not Released	121	REPAIR FOR COMPONENT PARTS	162
15. Engine Speed Does Not Return To Idle (Light Braking D ₄ → D ₃).....	122	Manual Shaft.....	162
16. Vehicle Does Not Start From D ₁	123	Oil Pump.....	164
17. A/T Does Not Shift: D ₄ → D ₃ , When Overdrive Control Switch "ON" → "OFF".....	123	Control Valve Assembly.....	168
18. A/T Does Not Shift: D ₃ → 2 ₂ , When Selector Lever "D" → "2" Position	124	Control Valve Upper Body	176
19. A/T Does Not Shift: 2 ₂ → 1 ₁ , When Selector Lever "2" → "1" Position.....	124	Control Valve Lower Body	180
20. Vehicle Does Not Decelerate By Engine Brake.....	125	Reverse Clutch	182
TROUBLE DIAGNOSES	126	High Clutch	185
Final Check.....	126	Forward Clutch and Overrun Clutch.....	189
TROUBLE DIAGNOSES — A/T Shift Lock		Low & Reverse Brake.....	195
System	131	Rear Internal Gear, Forward Clutch Hub and Overrun Clutch Hub.....	197
A/T Shift Lock System.....	131	Output Shaft, Idler Gear, Reduction Pinion Gear and Bearing Retainer.....	201
Wiring Diagram — SHIFT —	132	Band Servo Piston Assembly	206
Diagnostic Procedure	133	Final Drive — RE4F04A.....	211
Key Interlock Cable	135	Final Drive — RE4F04V.....	215
Component Check.....	136	ASSEMBLY	220
ON-VEHICLE SERVICE	138	Assembly 1	220
Control Valve Assembly and Accumulator.....	138	Adjustment 1.....	220
Revolution Sensor Replacement.....	139	Assembly 2	225
Inhibitor Switch Adjustment	139	Adjustment 2.....	231
		Assembly 3	233
		SERVICE DATA AND SPECIFICATIONS (SDS)	239
		General Specifications.....	239
		Specifications and Adjustments.....	239

When you read wiring diagrams:

- Read GI section, "HOW TO READ WIRING DIAGRAMS".
- See EL section, "POWER SUPPLY ROUTING" for power distribution circuit.

When you perform trouble diagnoses, read GI section, "HOW TO FOLLOW FLOW CHART IN TROUBLE DIAGNOSES" and "HOW TO PERFORM EFFICIENT DIAGNOSIS FOR AN ELECTRICAL INCIDENT".

GI

MA

EM

LC

EC

FE

CL

MT

AT

FA

RA

BR

ST

RS

BT

HA

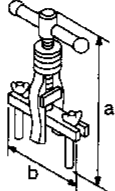
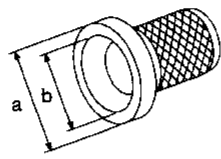
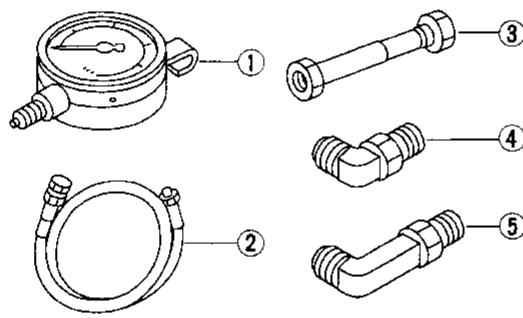
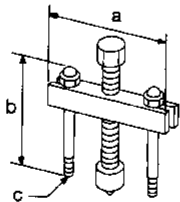
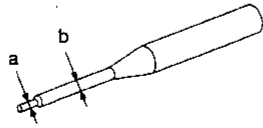
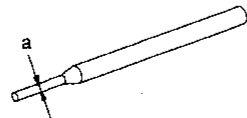
EL

IDX

PREPARATION AND PRECAUTIONS

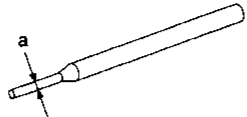
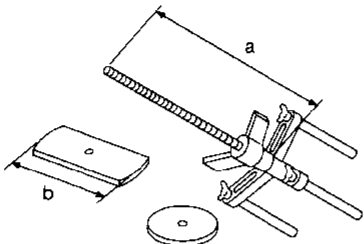
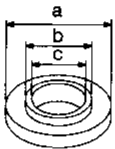
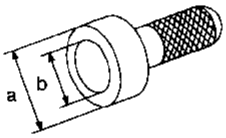
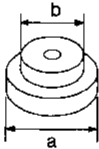
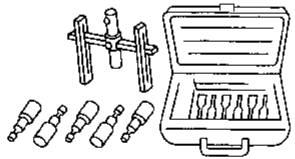
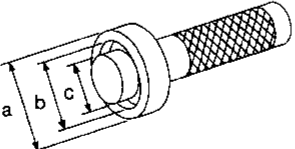
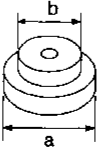
Special Service Tools

The actual shapes of Kent-Moore tools may differ from those of special service tools illustrated here.

Tool number (Kent-Moore No.) Tool name	Description	
KV381054S0 (J34286) Puller		<ul style="list-style-type: none"> • Removing differential side oil seals • Removing differential side bearing outer race • Removing idler gear bearing outer race <p>a: 250 mm (9.84 in) b: 160 mm (6.30 in)</p>
ST33400001 (J26082) Drift		<p>Installing differential side oil seal (RH side) Installing oil seal on oil pump housing</p> <p>a: 60 mm (2.36 in) dia. b: 47 mm (1.85 in) dia.</p>
ST2505S001 (J34301-C) Oil pressure gauge set ① ST25051001 (—) Oil pressure gauge ② ST25052000 (—) Hose ③ ST25053000 (—) Joint pipe ④ ST25054000 (—) Adapter ⑤ ST25055000 (—) Adapter		<p>Measuring line pressure.</p>
ST27180001 (J25726-A) Puller		<p>Removing idler gear</p> <p>a: 100 mm (3.94 in) b: 110 mm (4.33 in) c: M8 x 1.25P</p>
ST23540000 (J25689-A) Pin punch		<p>Removing and installing parking rod plate and manual plate pins.</p> <p>a: 2.3 mm (0.091 in) dia. b: 4 mm (0.16 in) dia.</p>
ST25710000 (J25689-A) Pin punch		<p>Aligning groove of manual shaft and hole of transmission case.</p> <p>a: 2 mm (0.08 in) dia.</p>

PREPARATION AND PRECAUTIONS

Special Service Tools (Cont'd)

Tool number (Kent-Moore No.) Tool name	Description	
KV32101000 (J25689-A) Pin punch		Installing manual shaft retaining pin a: 4 mm (0.16 in) dia.
KV31102400 (J34285 and J34285-87) Clutch spring compressor		<ul style="list-style-type: none"> Removing and installing clutch return springs Installing low and reverse brake piston a: 320 mm (12.60 in) b: 174 mm (6.85 in)
KV40100630 (J26092) Drift		<ul style="list-style-type: none"> Installing reduction gear bearing inner race Installing idler gear bearing inner race a: 67.5 mm (2.657 in) dia. b: 44 mm (1.73 in) dia. c: 38.5 mm (1.516 in) dia.
ST30720000 (J25405) Bearing installer		<ul style="list-style-type: none"> Installing idler gear bearing outer race a: 77 mm (3.03 in) dia. b: 55.5 mm (2.185 in) dia.
ST35321000 () Drift		<ul style="list-style-type: none"> Installing output shaft bearing a: 49 mm (1.93 in) dia. b: 41 mm (1.61 in) dia.
(J34291) Shim setting gauge set		<ul style="list-style-type: none"> Selecting oil pump cover bearing race and oil pump thrust washer Selecting side gear thrust washer
KV38100300 (J25523) Bearing installer		Installing differential side bearing inner race (RH side) a: 54 mm (2.13 in) dia. b: 46 mm (1.81 in) dia. c: 32 mm (1.26 in) dia.
ST30613000 (J25742-3) Bearing installer		Installing differential side bearing inner race (LH side) a: 72 mm (2.83 in) dia. b: 48 mm (1.89 in) dia.

GI

MA

EM

LC

EC

FE

CL

MT

AT

FA

RA

BR

ST

RS

BT

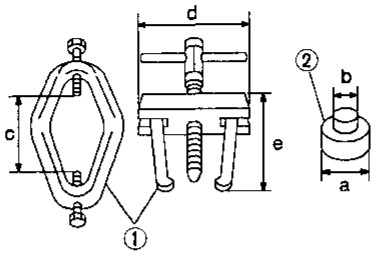
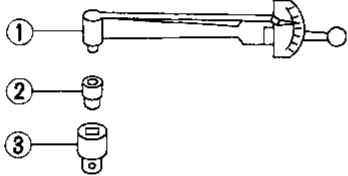
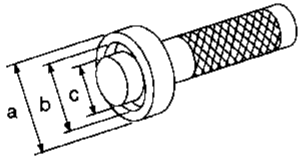
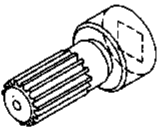
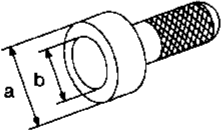
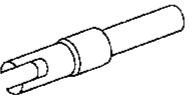
HA

EL

IDX

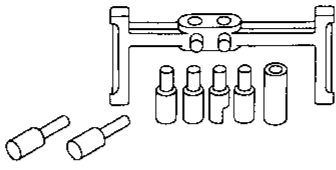
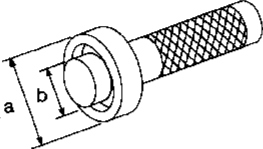
PREPARATION AND PRECAUTIONS

Special Service Tools (Cont'd)

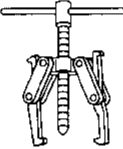
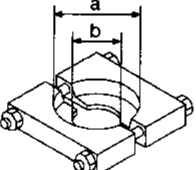
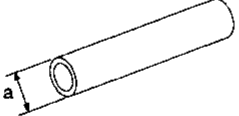
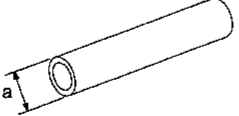
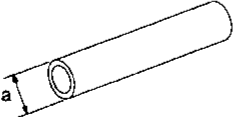
Tool number (Kent-Moore No.) Tool name	Description
ST3306S001 (J22888-D) Differential side bearing puller set ① ST33051001 (J22888-D) Puller ② ST33061000 (J8107-2) Adapter	Removing differential side bearing inner race  <p style="margin-left: 20px;"> a: 38 mm (1.50 in) dia. b: 28.5 mm (1.122 in) dia. c: 130 mm (5.12 in) d: 135 mm (5.31 in) e: 100 mm (3.94 in) </p> NT413
ST3127S000 (See J25765-A) Preload gauge ① GG91030000 (J25765-A) Torque wrench ② HT62940000 (—) Socket adapter ③ HT62900000 (—) Socket adapter	Checking differential side bearing preload  NT124
ST33220000 (J25805-01) Drift	Selecting differential side bearing adjusting shim (F04V)  <p style="margin-left: 20px;"> a: 37 mm (1.46 in) dia. b: 31 mm (1.22 in) dia. c: 22 mm (0.87 in) dia. </p> NT085
KV38105210 (J39883) Preload adapter	<ul style="list-style-type: none"> • Selecting differential side bearing adjusting shim (F04V) • Checking differential side bearing preload (F04V)  NT075
ST35271000 (J26091) Drift	Installing idler gear  <p style="margin-left: 20px;"> a: 72 mm (2.83 in) dia. b: 63 mm (2.48 in) dia. </p> NT115
KV38107700 (J39027) Preload adapter	<ul style="list-style-type: none"> • Selecting differential side bearing adjusting shim (F04A) • Checking differential side bearing preload (F04A)  NT087

PREPARATION AND PRECAUTIONS

Special Service Tools (Cont'd)

Tool number (Kent-Moore No.) Tool name	Description		
(J34290) Shim selecting tool set		Selecting differential side bearing adjusting shim	GI MA EM
NT080			
ST33230000 (J25805-01) Drift		Installing differential side bearing	LC EC
NT084		a: 51 mm (2.01 in) dia. b: 28.5 mm (1.122 in) dia.	

Commercial Service Tools

Tool name	Description		
Puller		<ul style="list-style-type: none"> • Removing idler gear bearing inner race • Removing and installing band servo piston snap ring 	FE CL MT
NT077			
Puller		Removing reduction gear bearing inner race	AT FA RA
NT411		a: 60 mm (2.36 in) dia. b: 35 mm (1.38 in) dia.	
Drift		Installing differential side oil seal (Left side)	BR ST
NT083		a: 90 mm (3.54 in) dia.	
Drift		Installing needle bearing on bearing retainer	RS BT
NT083		a: 36 mm (1.42 in) dia.	
Drift		Removing needle bearing from bearing retainer	HA EL
NT083		a: 33.5 mm (1.319 in) dia.	IDX

Supplemental Restraint System (SRS) “AIR BAG”

The Supplemental Restraint System “Air Bag”, used along with a seat belt, helps to reduce the risk or severity of injury to the driver and front passenger in a frontal collision. The Supplemental Restraint System consists of air bag modules (located in the center of the steering wheel and on the instrument panel on the passenger side), a diagnosis sensor unit, warning lamp, wiring harness and spiral cable. Information necessary to service the system safely is included in the **RS section** of this Service Manual.

WARNING:

- **To avoid rendering the SRS inoperative, which could increase the risk of personal injury or death in the event of a collision which would result in air bag inflation, all maintenance must be performed by an authorized NISSAN dealer.**
- **Improper maintenance, including incorrect removal and installation of the SRS, can lead to personal injury caused by unintentional activation of the system.**
- **Do not use electrical test equipment on any circuit related to the SRS unless instructed to in this Service Manual. SRS wiring harnesses are covered with yellow insulation either just before the harness connectors or for the complete harness, for easy identification.**

Precautions for On Board Diagnostic (OBD) System of A/T and Engine

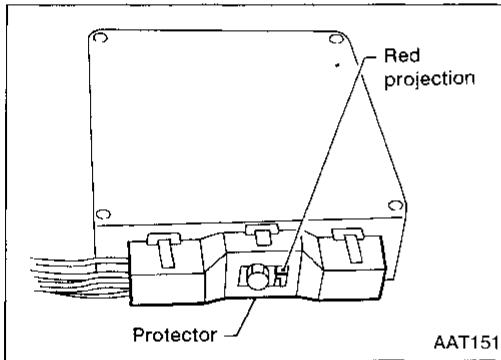
The ECM (ECCS control module) has an on board diagnostic system. It will light up the malfunction indicator lamp (MIL) to warn the driver of a malfunction causing emission deterioration.

CAUTION:

- **Be sure to turn the ignition switch OFF and disconnect the negative battery terminal before any repair or inspection work. The open/short circuit of related switches, sensors, solenoid valves, etc. will cause the MIL to light up.**
- **Be sure to connect and lock the connectors securely after the work. Loose (unlocked) connectors will cause the MIL to light up due to an open circuit. (Be sure the connectors are free from water, grease, dirt, bent terminals, etc.)**
- **Be sure to route and clamp the harnesses properly after work. Interference of the harness with a bracket, etc. may cause the MIL to light up due to a short circuit.**
- **Be sure to erase the unnecessary malfunction information (repairs completed) from the A/T control unit or ECM before returning the vehicle to the customer.**

Precautions

- Before proceeding with disassembly, thoroughly clean the outside of the transaxle. It is important to prevent the internal parts from becoming contaminated by dirt or other foreign matter.
- Disassembly should be done in a clean work area.
- Use lint-free cloth or towels for wiping parts clean. Common shop rags can leave fibers that could interfere with the operation of the transaxle.
- Place disassembled parts in order for easier and proper assembly.
- All parts should be carefully cleaned with a general purpose, non-flammable solvent before inspection or reassembly.
- Gaskets, seals and O-rings should be replaced any time the transaxle is disassembled.
- When connecting A/T control unit harness connector, tighten bolt until red projection is in line with connector.



- It is very important to perform functional tests whenever they are indicated.

- The valve body contains precision parts and requires extreme care when parts are removed and serviced. Place disassembled valve body parts in order for easier and proper assembly. Care will also prevent springs and small parts from becoming scattered or lost.
- Properly installed valves, sleeves, plugs, etc. will slide along bores in valve body under their own weight.
- Before assembly, apply a coat of recommended ATF to all parts. Apply petroleum jelly to protect O-rings and seals, or hold bearings and washers in place during assembly. Do not use grease.
- Extreme care should be taken to avoid damage to O-rings, seals and gaskets when assembling.
- Replace ATF cooler if excessive foreign material is found in oil pan or clogging strainer. Refer to "ATF COOLER SERVICE", on next page.
- After overhaul, refill the transmission with new ATF.
- When the A/T drain plug is removed, only some of the fluid is drained. Old A/T fluid will remain in torque converter and ATF cooling system. Always follow the procedures under "Changing A/T Fluid" in the MA section when changing A/T fluid.

GI

MA

EM

LC

EC

FE

CL

MT

AT

FA

RA

BR

ST

RS

BT

HA

EL

IDX

Service Notice or Precautions

FAIL-SAFE

The A/T control unit has an electronic Fail-Safe (limp home mode). This allows the vehicle to be driven even if a major electrical input/output device circuit is damaged.

Under Fail-Safe, the vehicle always runs in third gear, even with a shift lever position of "1", "2" or "D". The customer may complain of sluggish or poor acceleration.

When the ignition key is turned ON following Fail-Safe operation, O/D OFF indicator lamp blinks for about 8 seconds. (For diagnosis, refer to AT-40.)

Fail-Safe may occur without electrical circuit damage if the vehicle is driven under extreme conditions (such as excessive wheel spin followed by sudden braking). To recover normal shift pattern, turn the ignition key OFF for 5 seconds, then ON.

The blinking of the O/D OFF indicator lamp for about 8 seconds will appear only once and be cleared. The customer may resume normal driving conditions.

Always follow the "WORK FLOW" (Refer to AT-38).

The SELF-DIAGNOSIS results will be as follows:

The first SELF-DIAGNOSIS will indicate damage to the vehicle speed sensor or the revolution sensor.

During the next SELF-DIAGNOSIS, performed after checking the sensor, no damages will be indicated.

ATF COOLER SERVICE

Replace ATF cooler if excessive foreign material is found in oil pan or clogging strainer.

VQ30DE engine (with RE4F04A/V) ... fin type cooler

Replace radiator lower tank (which includes ATF cooler) with a new one and flush cooler line using cleaning solvent and compressed air.

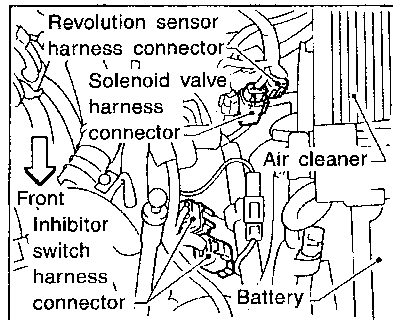
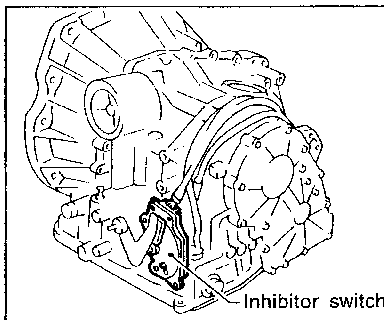
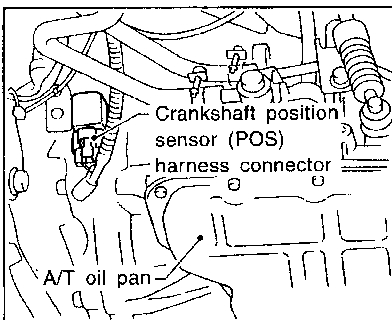
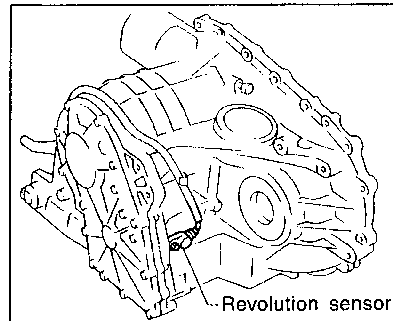
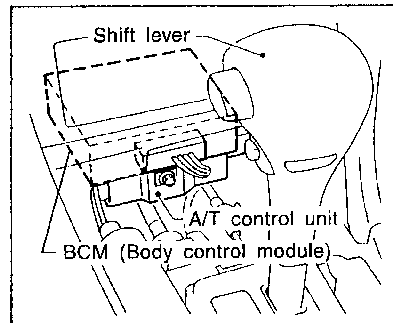
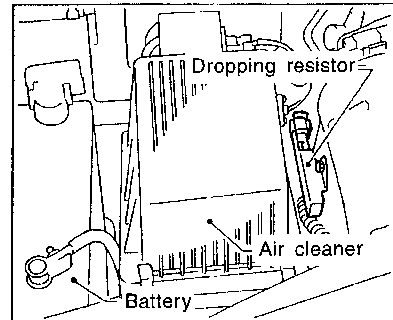
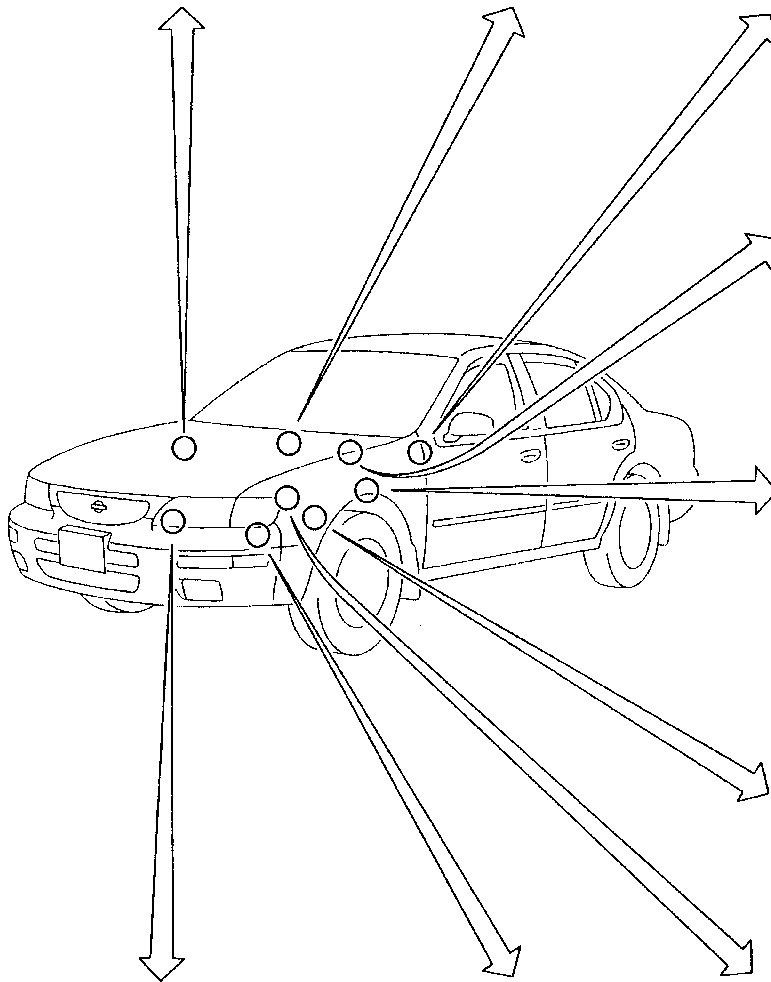
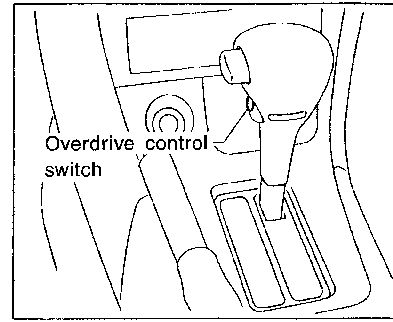
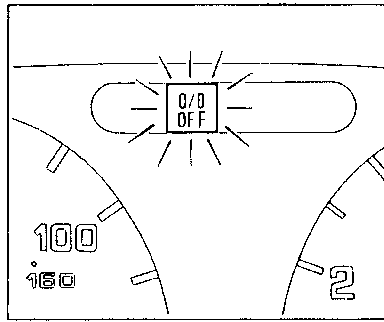
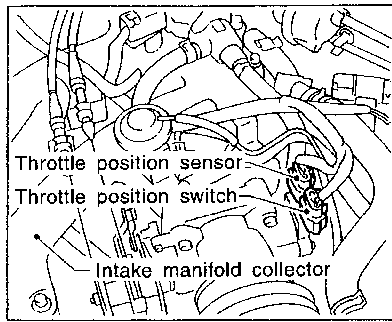
OBD-II SELF-DIAGNOSIS

- A/T self-diagnosis is performed by the A/T control unit in combination with the ECM. The results can be read through the blinking pattern of the O/D OFF indicator or the malfunction indicator lamp (MIL). Refer to the table on AT-26 for the indicator used to display each self-diagnostic result.
- The self-diagnostic results indicated by the MIL are automatically stored in both the ECM and A/T control unit memories.
Always perform the procedure "HOW TO ERASE DTC" on AT-24 to complete the repair and avoid unnecessary blinking of the MIL.
- The following self-diagnostic items can be detected using ECM self-diagnostic results mode* only when the O/D OFF indicator lamp does not indicate any malfunctions.
 - Improper shifting to 1st, 2nd, 3rd, or 4th gear position
 - Improper torque converter clutch operation
 - Improper lock-up operation.

*: For details of OBD-II, refer to EC section ("ON BOARD DIAGNOSTIC SYSTEM DESCRIPTION").

OVERALL SYSTEM

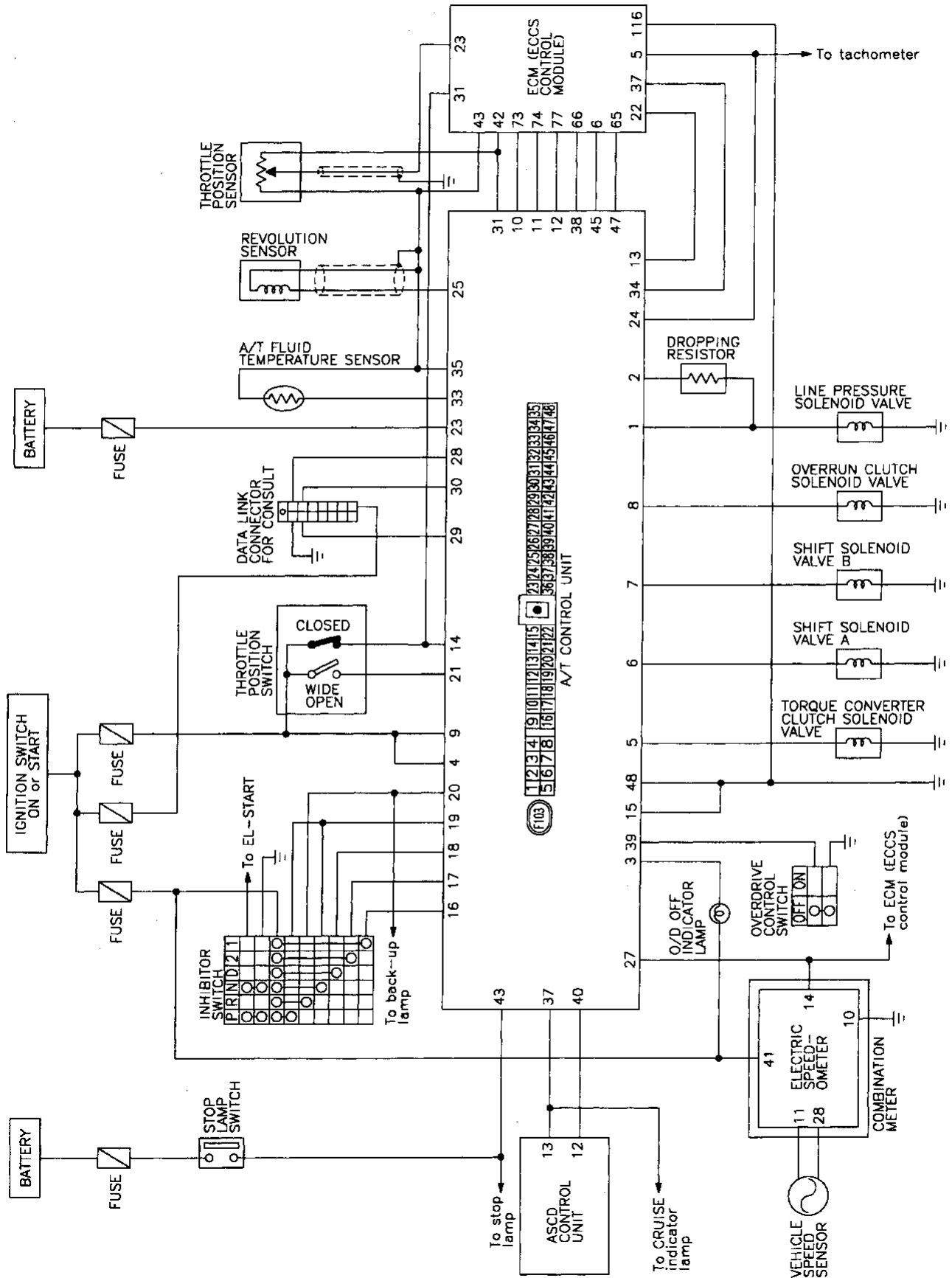
A/T Electrical Parts Location



- GI
- MA
- EM
- LC
- EC
- FE
- CL
- MT
- AT**
- FA
- RA
- BR
- ST
- RS
- BT
- HA
- EL
- IDX

OVERALL SYSTEM

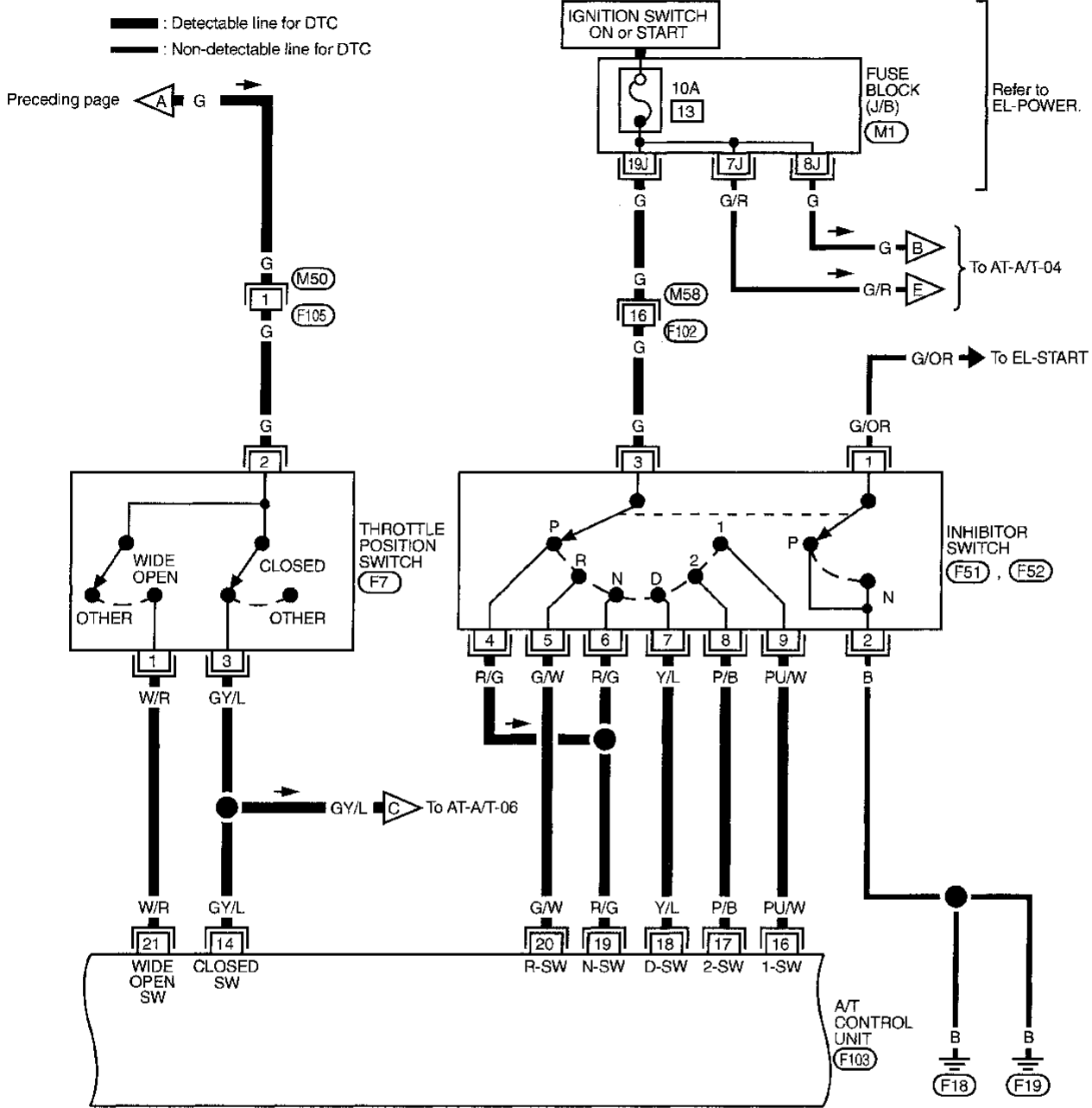
Circuit Diagram for Quick Pinpoint Check



OVERALL SYSTEM

Wiring Diagram — AT — (Cont'd)

AT-A/T-02



Refer to EL-POWER.

To AT-A/T-04

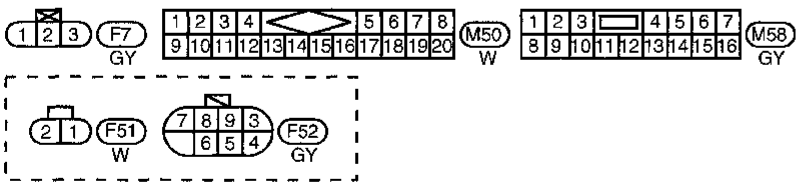
To EL-START

THROTTLE POSITION SWITCH (F7)

INHIBITOR SWITCH (F51, F52)

A/T CONTROL UNIT (F103)

B (F18), B (F19)



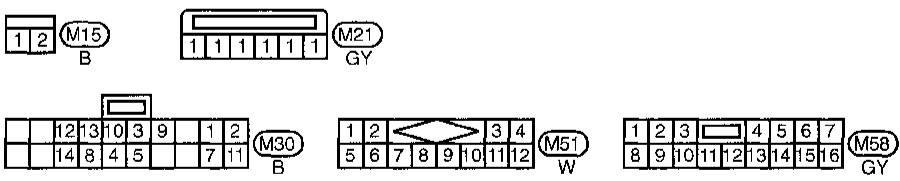
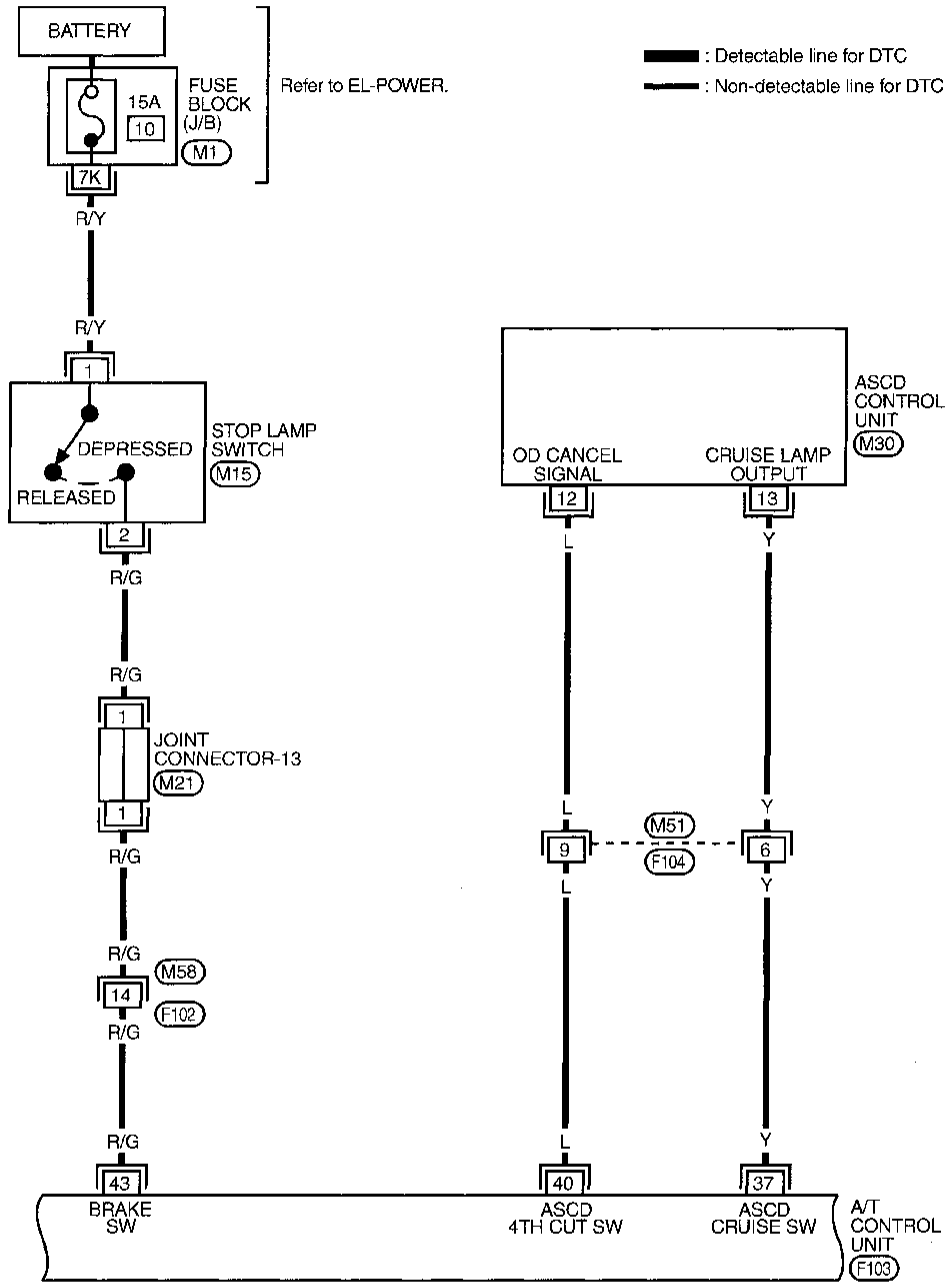
Refer to last page (Foldout page).

(M1)
(F103)

OVERALL SYSTEM

Wiring Diagram — AT — (Cont'd)

AT-A/T-03



Refer to last page (Foldout page).

- (M1)
- (M21)
- (F103)

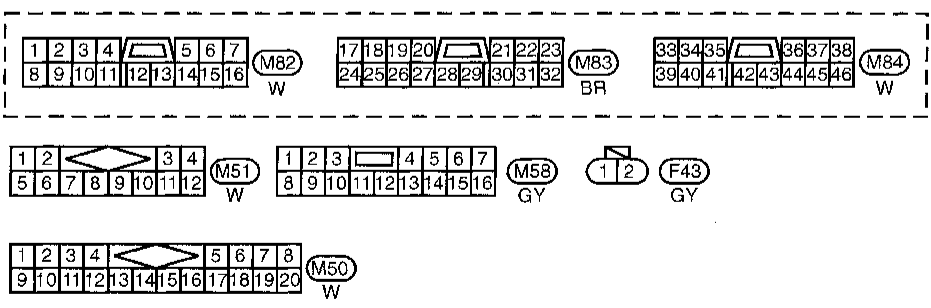
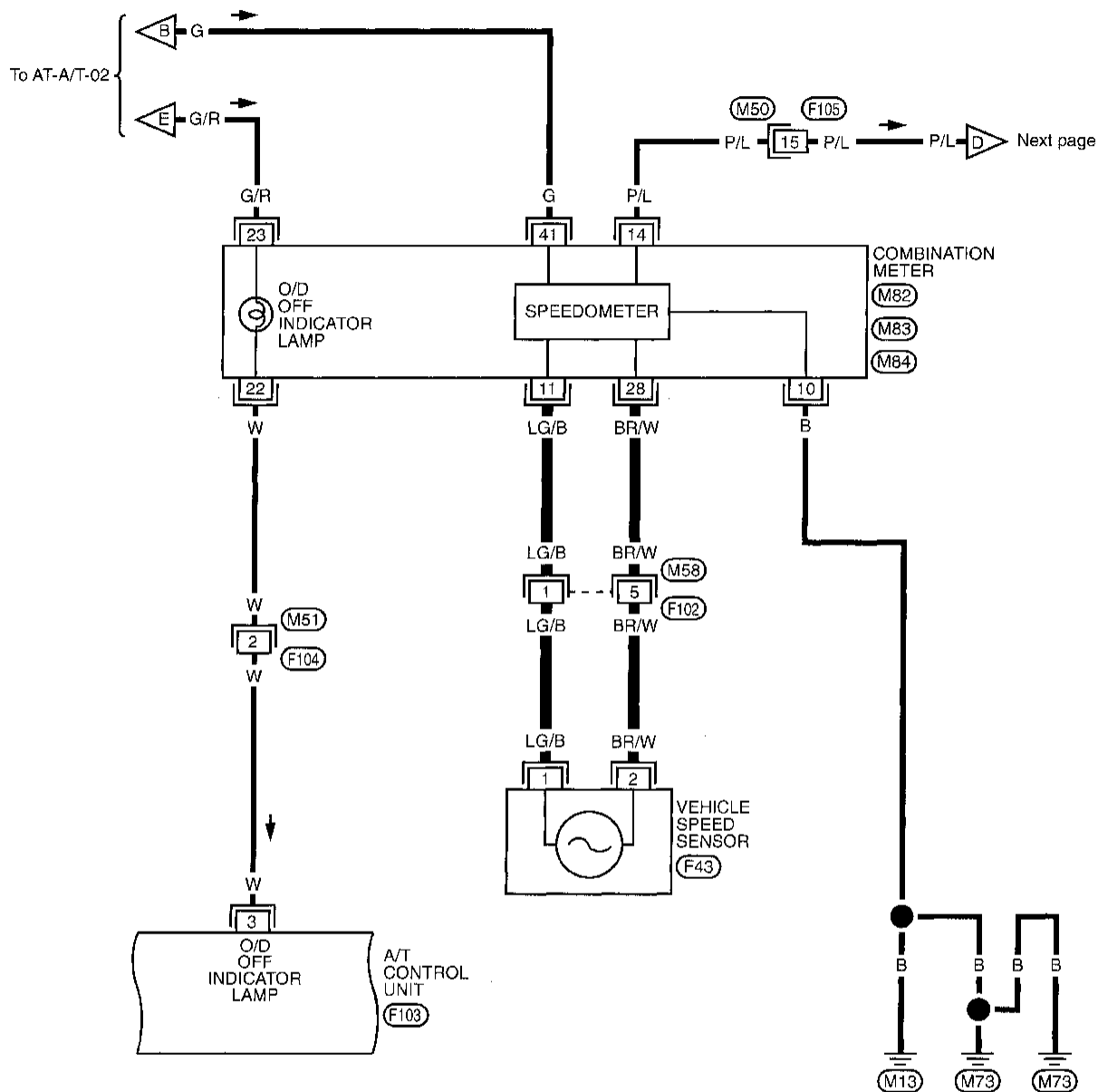
GI
 MA
 EM
 LC
 EC
 FE
 CL
 MT
AT
 FA
 RA
 BR
 ST
 RS
 BT
 HA
 EL
 IDX

OVERALL SYSTEM

Wiring Diagram — AT — (Cont'd)

AT-A/T-04

— : Detectable line for DTC
 — : Non-detectable line for DTC



Refer to last page (Foldout page).

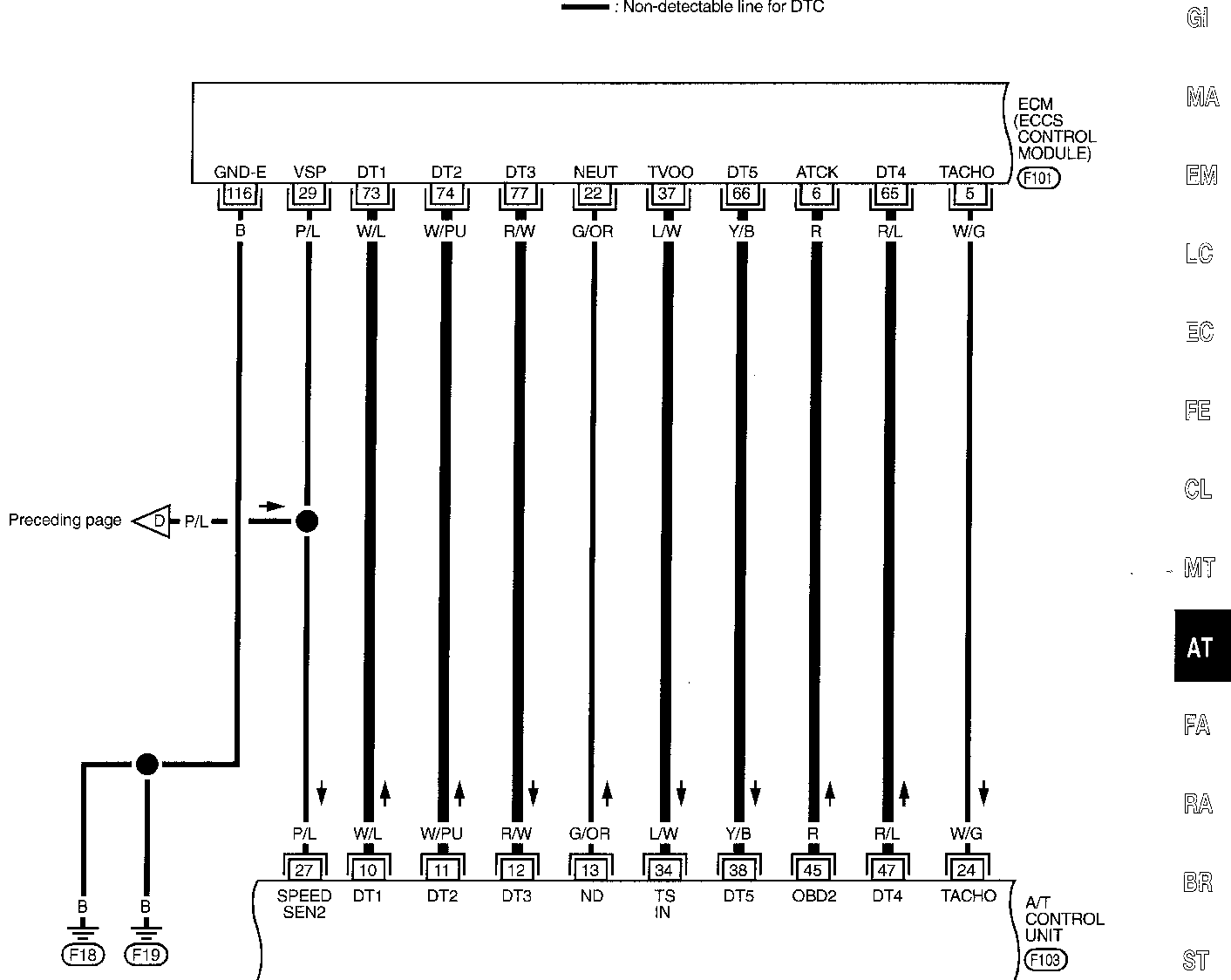
F103

OVERALL SYSTEM

Wiring Diagram — AT — (Cont'd)

AT-A/T-05

: Detectable line for DTC
 : Non-detectable line for DTC



Refer to last page (Foldout page).

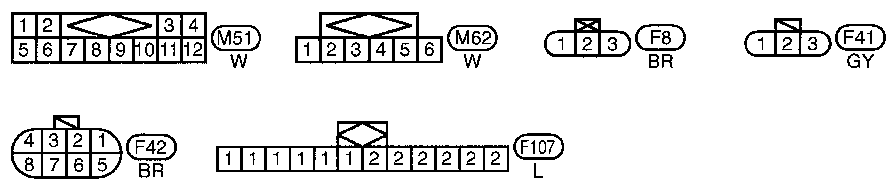
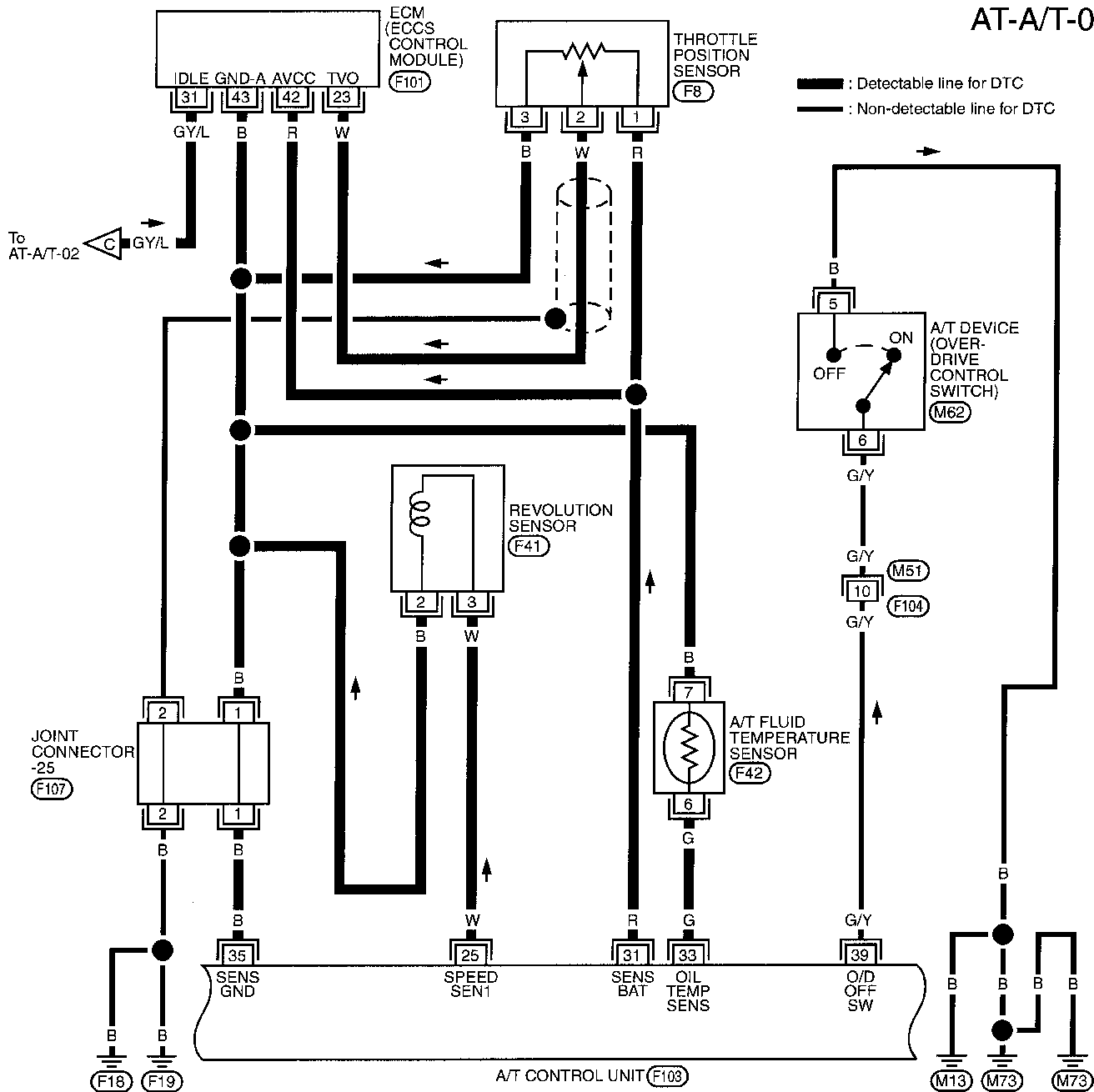
F101

F103

OVERALL SYSTEM

Wiring Diagram — AT — (Cont'd)

AT-A/T-06



Refer to last page (Foldout page).

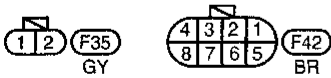
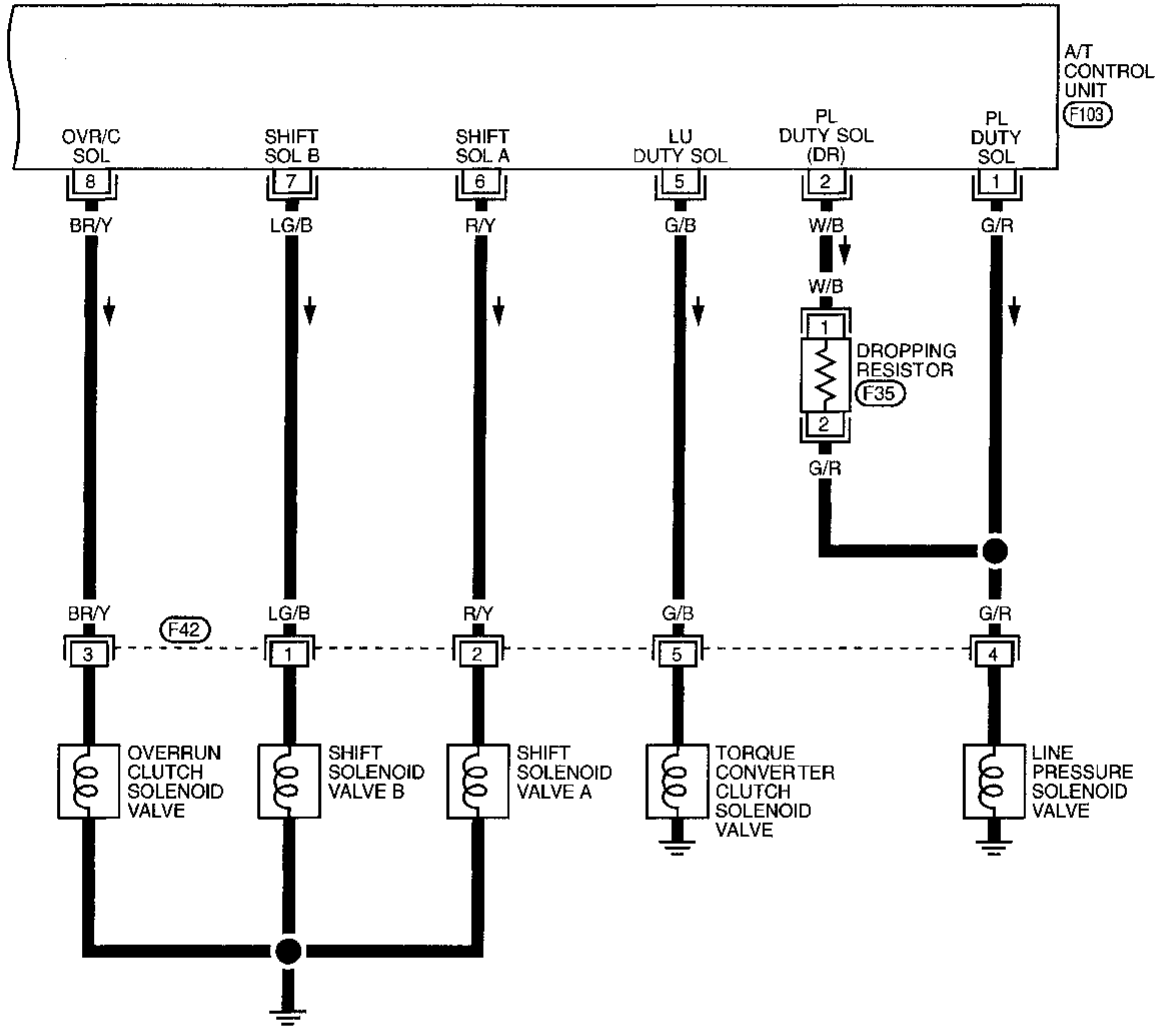
- (F101)
- (F103)
- (F107)

OVERALL SYSTEM

Wiring Diagram — AT — (Cont'd)

AT-A/T-07

— : Detectable line for DTC
 — : Non-detectable line for DTC



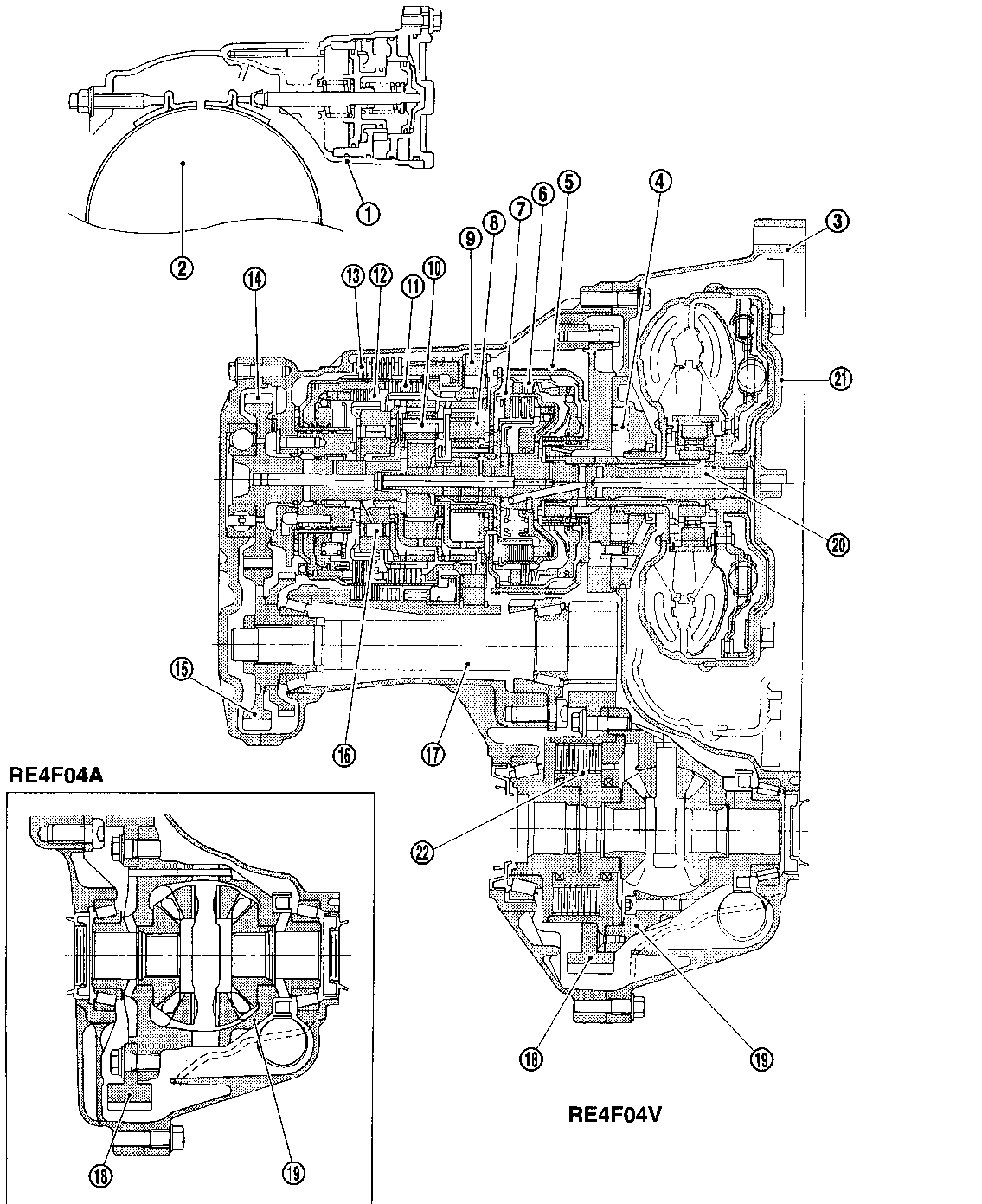
Refer to last page (Foldout page).

F103

GI
 MA
 EM
 LC
 EC
 FE
 CL
 MT
AT
 FA
 RA
 BR
 ST
 RS
 BT
 HA
 EL
 IDX

OVERALL SYSTEM

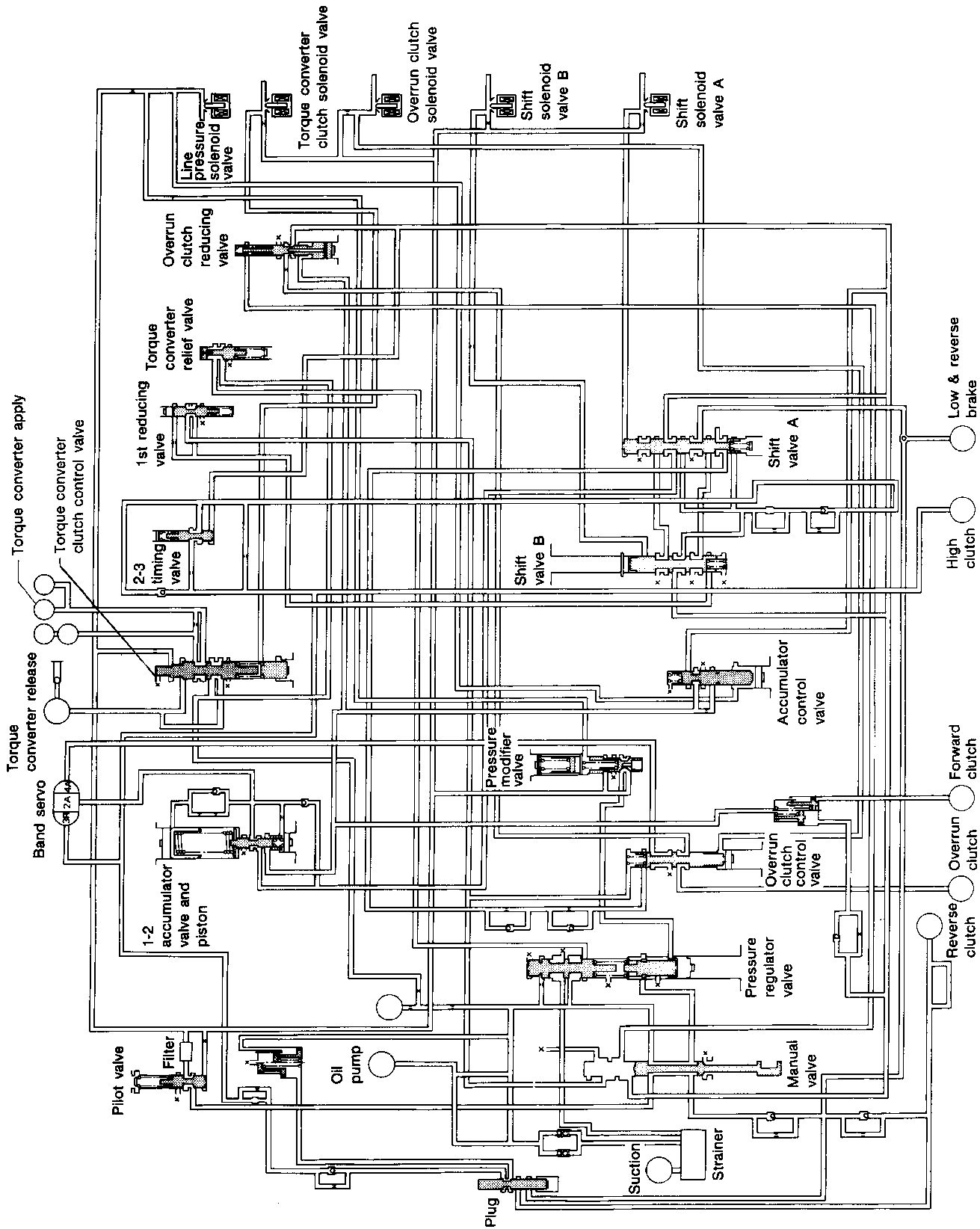
Cross-sectional View



SAT637I

- | | | |
|-----------------------|------------------------|--------------------------|
| ① Band servo piston | ⑧ Front planetary gear | ⑮ Idler gear |
| ② Reverse clutch drum | ⑨ Low one-way clutch | ⑯ Forward one-way clutch |
| ③ Converter housing | ⑩ Rear planetary gear | ⑰ Pinion reduction gear |
| ④ Oil pump | ⑪ Forward clutch | ⑱ Final gear |
| ⑤ Brake band | ⑫ Overrun clutch | ⑲ Differential case |
| ⑥ Reverse clutch | ⑬ Low & reverse brake | ⑳ Input shaft |
| ⑦ High clutch | ⑭ Output gear | ㉑ Torque converter |
| | | ㉒ Viscous coupling |

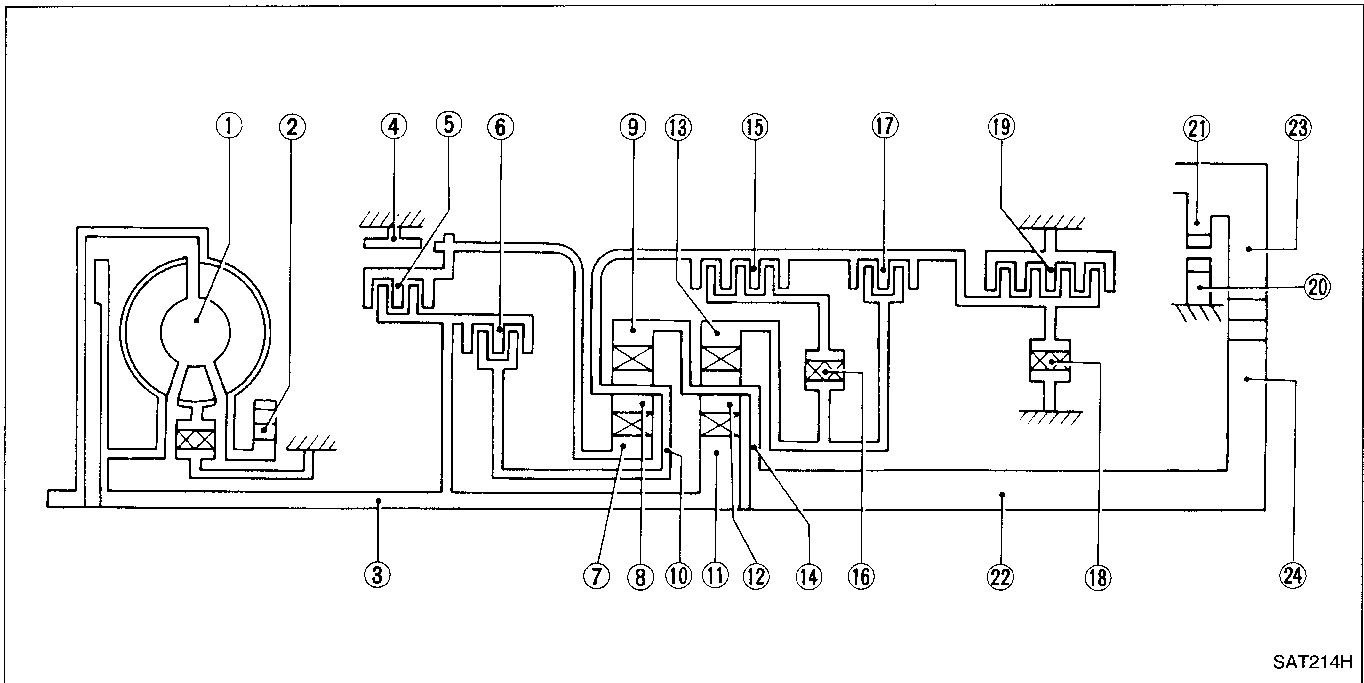
Hydraulic Control Circuit



- GI
- MA
- EM
- LC
- EC
- FE
- CL
- MT
- AT**
- FA
- RA
- BR
- ST
- RS
- BT
- HA
- EL
- IDX

OVERALL SYSTEM

Shift Mechanism CONSTRUCTION



SAT214H

- | | | |
|---------------------|---------------------------|-----------------------|
| ① Torque converter | ⑨ Front internal gear | ⑰ Overrun clutch |
| ② Oil pump | ⑩ Front planetary carrier | ⑱ Low one-way clutch |
| ③ Input shaft | ⑪ Rear sun gear | ⑲ Low & reverse brake |
| ④ Brake band | ⑫ Rear pinion gear | ⑳ Parking pawl |
| ⑤ Reverse clutch | ⑬ Rear internal gear | ㉑ Parking gear |
| ⑥ High clutch | ⑭ Rear planetary carrier | ㉒ Output shaft |
| ⑦ Front sun gear | ⑮ Forward clutch | ㉓ Idle gear |
| ⑧ Front pinion gear | ⑯ Forward one-way clutch | ㉔ Output gear |

FUNCTION OF CLUTCH AND BRAKE

Clutch and brake components	Abbr.	Function
⑤ Reverse clutch	R/C	To transmit input power to front sun gear ⑦.
⑥ High clutch	H/C	To transmit input power to front planetary carrier ⑩.
⑮ Forward clutch	F/C	To connect front planetary carrier ⑩ with forward one-way clutch ⑯.
⑰ Overrun clutch	O/C	To connect front planetary carrier ⑩ with rear internal gear ⑬.
④ Brake band	B/B	To lock front sun gear ⑦.
⑯ Forward one-way clutch	F/O.C	When forward clutch ⑮ is engaged, to stop rear internal gear ⑬ from rotating in opposite direction against engine revolution.
⑱ Low one-way clutch	L/O.C	To stop front planetary carrier ⑩ from rotating in opposite direction against engine revolution.
⑲ Low & reverse brake	L & R/B	To lock front planetary carrier ⑩.

OVERALL SYSTEM

Shift Mechanism (Cont'd)

OPERATION OF CLUTCH AND BRAKE

Shift position	Reverse clutch	High clutch	Forward clutch	Overrun clutch	Band servo			Forward one-way clutch	Low one-way clutch	Low & reverse brake	Lock-up	Remarks
					2nd apply	3rd release	4th apply					
P												PARK POSITION
R	○									○		REVERSE POSITION
N												NEUTRAL POSITION
D*4	1st		○	*1⊗				●	●			Automatic shift 1 ↔ 2 ↔ 3 ↔ 4
	2nd		○	*1⊙	○			●				
	3rd		○	○	*1⊙	*2⊗	⊗	●			*5○	
	4th		○	⊗		*3⊗	⊗	○			○	
2	1st		○	⊗				●	●			Automatic shift 1 ↔ 2 ← 3
	2nd		○	⊙	○			●				
1	1st		○	○				●		○		Locks (held stationary) in 1st speed 1 ← 2 ← 3
	2nd		○	○	○			●				

*1: Operates when overdrive control switch is being set in "OFF" position.

*2: Oil pressure is applied to both 2nd "apply" side and 3rd "release" side of band servo piston. However, brake band does not contract because oil pressure area on the "release" side is greater than that on the "apply" side.

*3: Oil pressure is applied to 4th "apply" side in condition *2 above, and brake band contracts.

*4: A/T will not shift to 4th when overdrive control switch is set in "OFF" position.

*5: Operates when overdrive control switch is "OFF".

○ : Operates

⊙ : Operates when throttle opening is less than 1/16, activating engine brake.

● : Operates during "progressive" acceleration.

⊗ : Operates but does not affect power transmission.

⊗ : Operates when throttle opening is less than 1/16, but does not affect engine brake.

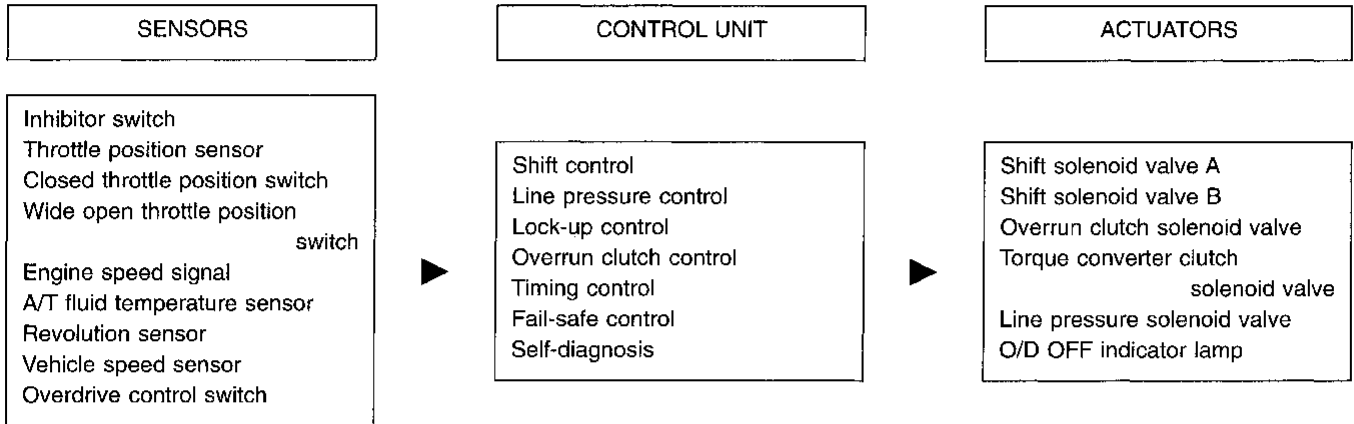
GI
MA
EM
LC
EC
FE
CL
MT
AT
FA
RA
BR
ST
RS
BT
HA
EL
IDX

OVERALL SYSTEM

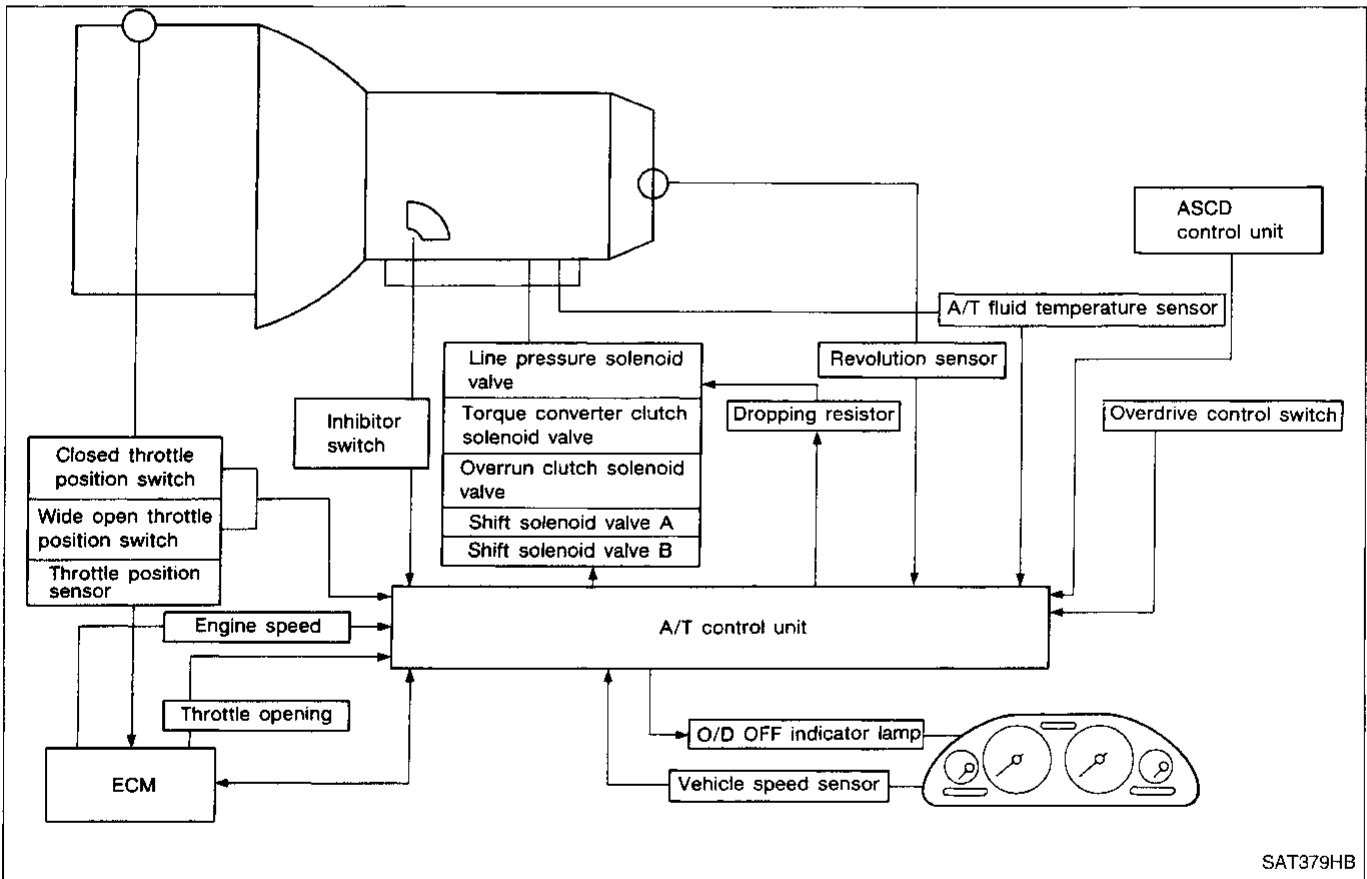
Control System

OUTLINE

The RE4F04A(V) automatic transmission senses vehicle operating conditions through various sensors. It always controls the optimum shaft position and reduces shifting and lock-up shocks.



CONTROL SYSTEM



OVERALL SYSTEM

Control System (Cont'd)

A/T CONTROL UNIT FUNCTION

The function of the A/T control unit is to:

- Receive input signals sent from various switches and sensors.
- Determine required line pressure, shifting point, lock-up operation, and engine brake operation.
- Send required output signals to the respective solenoids.

INPUT/OUTPUT SIGNAL OF A/T CONTROL UNIT

	Sensors and solenoid valves	Function
Input	Inhibitor switch	Detects select lever position and sends a signal to A/T control unit.
	Throttle position sensor	Detects throttle valve position and sends a signal to A/T control unit.
	Closed throttle position switch	Detects throttle valve's fully-closed position and sends a signal to A/T control unit.
	Wide open throttle position switch	Detects a throttle valve position of greater than 1/2 of full throttle and sends a signal to A/T control unit.
	Engine speed signal	From ECM (ECCS control module).
	A/T fluid temperature sensor	Detects transmission fluid temperature and sends a signal to A/T control unit.
	Revolution sensor	Detects output shaft rpm and sends a signal to A/T control unit.
	Vehicle speed sensor	Used as an auxiliary vehicle speed sensor. Sends a signal when revolution sensor (installed on transmission) malfunctions.
	Overdrive control switch	Sends a signal, which prohibits a shift to "D ₄ " (overdrive) position, to the A/T control unit.
Output	Shift solenoid valve A/B	Selects shifting point suited to driving conditions in relation to a signal sent from A/T control unit.
	Line pressure solenoid valve	Regulates (or decreases) line pressure suited to driving conditions in relation to a signal sent from A/T control unit.
	Torque converter clutch solenoid valve	Regulates (or decreases) lock-up pressure suited to driving conditions in relation to a signal sent from A/T control unit.
	Overrun clutch solenoid valve	Controls an "engine brake" effect suited to driving conditions in relation to a signal sent from A/T control unit.
	O/D OFF indicator lamp	Shows A/T control unit faults, when A/T control components malfunction.

GI

MA

EM

LC

EC

FE

CL

MT

AT

FA

RA

BR

ST

RS

BT

HA

EL

IDX

ON BOARD DIAGNOSTIC SYSTEM DESCRIPTION

Introduction

The ECM (ECCS control module) provides two functions for the A/T system. One function is to receive a signal from the A/T control unit used with OBD-related parts of the A/T system. The signal is sent to the ECM when a malfunction occurs in the corresponding OBD-related part. The other function is to indicate a diagnostic result by means of the MIL (malfunction indicator lamp) on the instrument panel. Sensors, switches and solenoid valves are used as sensing elements.

The MIL automatically illuminates in One or Two Trip Detection Logic when a malfunction is sensed in relation to A/T system parts.

One or Two Trip Detection Logic

ONE TRIP DETECTION LOGIC

If a malfunction is sensed during the first test drive, the MIL will illuminate and the malfunction will be stored in the ECM memory as a DTC. The A/T control unit is not provided with such a memory function.

TWO TRIP DETECTION LOGIC

When a malfunction is sensed during the first test drive, it is stored in the ECM memory as a 1st trip DTC (diagnostic trouble code) or 1st trip freeze frame data. At this point, the MIL will not illuminate. — First Trip
If the same malfunction as that experienced during the first test drive is sensed during the second test drive, the MIL will illuminate. — Second Trip

A/T-related parts for which the MIL illuminates during the first or second test drive are listed below.

Items	MIL	
	One trip detection	Two trip detection
Shift solenoid valve A — DTC: P0750 (1108)	X	
Shift solenoid valve B — DTC: P0755 (1201)	X	
Throttle position sensor or switch — DTC: P1705 (1206)	X	
Except above		X


The “trip” in the “One or Two Trip Detection Logic” means a driving mode in which self-diagnosis is performed during vehicle operation.

Diagnostic Trouble Code (DTC)

HOW TO READ DTC

The diagnostic trouble code can be read by the following methods.


(Either code for the 1st trip or the 2nd trip can be read.)

 1. The number of blinks of the malfunction indicator lamp in the Diagnostic Test Mode II (Self-Diagnostic Results) Examples: 1101, 1102, 1103, 1104, etc.

These DTCs are controlled by NISSAN.

2. CONSULT or GST (Generic Scan Tool) Examples: P0705, P0710, P0720, P0725, etc.

 These DTCs are prescribed by SAE J2012. (CONSULT also displays the malfunctioning component or system.)

-  **Output of a DTC indicates a malfunction. However, Mode II and GST do not indicate whether the malfunction is still occurring or has occurred in the past and has returned to normal. CONSULT can identify them. Therefore, using CONSULT (if available) is recommended.**

HOW TO ERASE DTC

The diagnostic trouble code can be erased by CONSULT, GST or ECM DIAGNOSTIC TEST MODE as described following.

- **If the battery terminal is disconnected, the diagnostic trouble code will be lost within 24 hours.**
- **When you erase the DTC, using CONSULT or GST is easier and quicker than switching the mode selector on the ECM.**

The following emission-related diagnostic information is cleared from the ECM memory when erasing DTC related to OBD-II. For details, refer to EC section “Emission-related Diagnostic Information”, “ON BOARD DIAGNOSTIC SYSTEM DESCRIPTION”.

- Diagnostic trouble codes (DTC)
- 1st trip diagnostic trouble codes (1st trip DTC)
- Freeze frame data
- 1st trip freeze frame data
- System readiness test (SRT) codes
- Test values

ON BOARD DIAGNOSTIC SYSTEM DESCRIPTION

Diagnostic Trouble Code (DTC) (Cont'd)

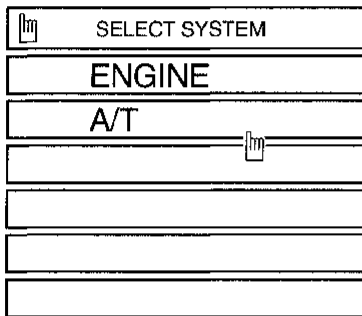
HOW TO ERASE DTC (With CONSULT)

- If a DTC is displayed for both ECM and A/T control unit, it needs to be erased for both ECM and A/T control unit.
 - If diagnostic trouble code is not for A/T related items (Refer to AT-50), skip steps 2 through 4.
1. If the ignition switch stays "ON" after repair work, be sure to turn ignition switch "OFF" once. Wait at least 5 seconds and then turn it "ON" (engine stopped) again.
 2. Turn CONSULT "ON" and touch "A/T".
 3. Touch "SELF-DIAG RESULTS".
 4. Touch "ERASE". (The DTC in the A/T control unit will be erased.) Then touch "BACK" twice.
 5. Touch "ENGINE".
 6. Touch "SELF-DIAG RESULTS".
 7. Touch "ERASE". (The DTC in the ECM will be erased.)

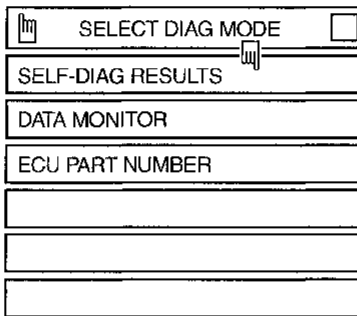
GI
MA
EM
LC
EC
FE
CL
MT
AT
FA
RA
BR
ST
RS

How to erase DTC (With CONSULT)

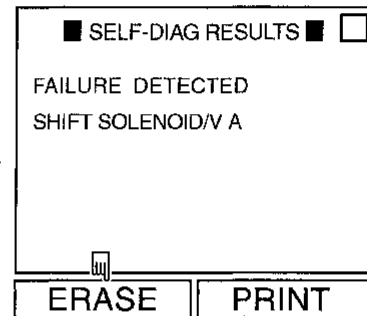
1. If the ignition switch stays "ON" after repair work, be sure to turn ignition switch "OFF" once. Wait at least 5 seconds and then turn it "ON" (engine stopped) again.



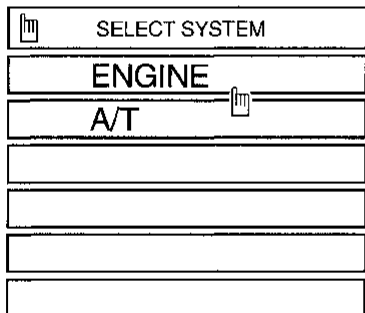
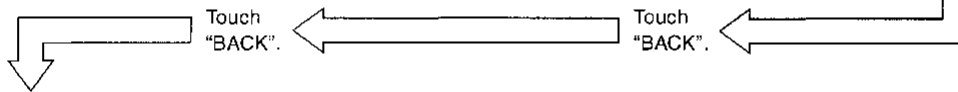
2. Turn CONSULT "ON", and touch "A/T".



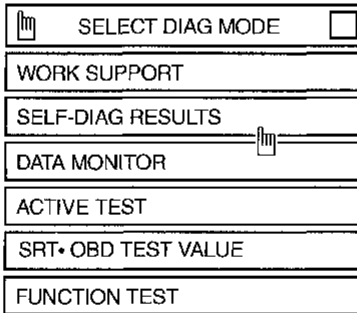
3. Touch "SELF-DIAG RESULTS".



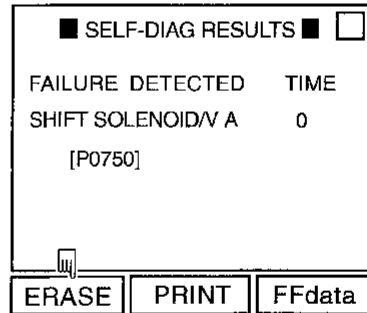
4. Touch "ERASE". (The DTC in the A/T control unit will be erased.)



5. Touch "ENGINE".



6. Touch "SELF-DIAG RESULTS".



7. Touch "ERASE". (The DTC in the ECM will be erased.)

SEF372S

HOW TO ERASE DTC (With GST)

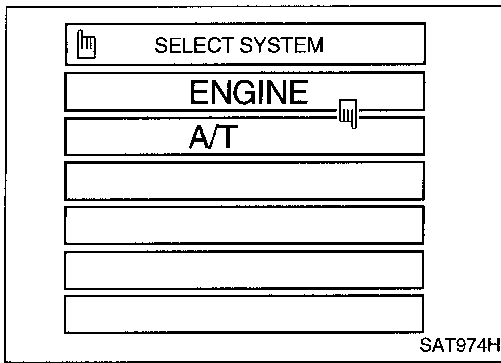
1. If the ignition switch stays "ON" after repair work, be sure to turn ignition switch "OFF" once. Wait at least 5 seconds and then turn it "ON" (engine stopped) again.
2. Perform "SELF-DIAGNOSTIC PROCEDURE (No Tools)". Refer to AT-27. (The engine warm-up step can be skipped when performing the diagnosis only to erase the DTC.)
3. Select Mode 4 with Generic Scan Tool (GST). For details, refer to EC section ("Generic Scan Tool (GST)", "ON BOARD DIAGNOSTIC SYSTEM DESCRIPTION").

HOW TO ERASE DTC (No Tools)

1. If the ignition switch stays "ON" after repair work, be sure to turn ignition switch "OFF" once. Wait at least 5 seconds and then turn it "ON" (engine stopped) again.
2. Perform "SELF-DIAGNOSTIC PROCEDURE (No Tools)". Refer to AT-27. (The engine warm-up step can be skipped when performing the diagnosis only to erase the DTC.)
3. Change the diagnostic test mode from Mode II to Mode I by turning the mode selector on the ECM. Refer to EC section ["HOW TO SWITCH DIAGNOSTIC TEST MODES", "Malfunction Indicator Lamp (MIL)", "ON BOARD DIAGNOSTIC SYSTEM DESCRIPTION"].

BT
HA
EL
IDX

ON BOARD DIAGNOSTIC SYSTEM DESCRIPTION

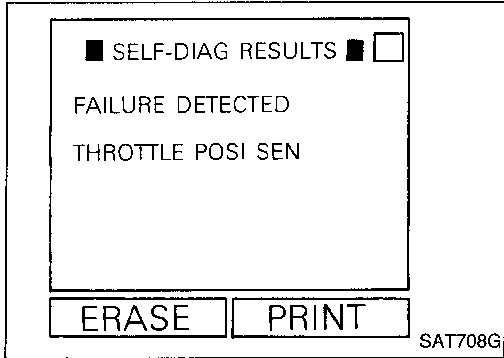


Self-diagnosis

After performing this procedure, place check marks for results on the "DIAGNOSTIC WORKSHEET", AT-36. Reference pages are provided following the items.

SELF-DIAGNOSTIC PROCEDURE (With CONSULT)

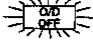

1. Turn on CONSULT and touch "A/T".
If A/T is not displayed, check A/T control unit power supply and ground circuit. Refer to AT-55. If result is NG, refer to EL section ("POWER SUPPLY ROUTING").
2. Touch "SELF-DIAG RESULTS".
Display shows malfunction experienced since the last erasing operation.
CONSULT performs REAL-TIME SELF-DIAGNOSIS.
Also, any malfunction detected while in this mode will be displayed at real time.



Detected items (Screen terms for CONSULT, "SELF-DIAG RESULTS" test mode)	Malfunction is detected when ...	Indicator for Diagnostic Results	
		 O/D OFF indicator lamp (Available when "A/T" on CONSULT is touched.)	 Malfunction indicator lamp*2 (Available when "ENGINE" on CON- SULT is touched.)
Inhibitor switch circuit (INHIBITOR SWITCH)	• A/T control unit does not receive the correct voltage signal (based on the gear position) from the switch.	—	X
Revolution sensor (VHCL SPEED SEN-A/T)	• A/T control unit does not receive the proper voltage signal from the sensor.	X	X
Vehicle speed sensor (Meter) (VHCL SPEED SEN-MTR)	• A/T control unit does not receive the proper voltage signal from the sensor.	X	—
Improper shifting to 1st gear position (A/T 1ST SIGNAL)	• A/T cannot be shifted to the 1st gear position even if electrical circuit is good.	—	X*1
Improper shifting to 2nd gear position (A/T 2ND SIGNAL)	• A/T cannot be shifted to the 2nd gear position even if electrical circuit is good.	—	X*1
Improper shifting to 3rd gear position (A/T 3RD SIGNAL)	• A/T cannot be shifted to the 3rd gear position even if electrical circuit is good.	—	X*1
Improper shifting to 4th gear position (A/T 4TH SIG OR TCC)	• A/T cannot be shifted to the 4th gear position even if electrical circuit is good.	—	X*1
Improper lock-up operation (A/T TCC SIGNAL)	• A/T cannot perform lock-up even if electrical circuit is good.	—	X*1
Shift solenoid valve A (SHIFT SOLENOID/V A)	• A/T control unit detects an improper voltage drop when it tries to operate the solenoid valve.	X	X
Shift solenoid valve B (SHIFT SOLENOID/V B)	• A/T control unit detects an improper voltage drop when it tries to operate the solenoid valve.	X	X
Overrun clutch solenoid valve (OVERRUN CLUTCH S/V)	• A/T control unit detects an improper voltage drop when it tries to operate the solenoid valve.	X	X
T/C clutch solenoid valve (TOR CONV CLUTCH SV)	• A/T control unit detects an improper voltage drop when it tries to operate the solenoid valve.	X	X
Line pressure solenoid valve (LINE PRESSURE S/V)	• A/T control unit detects an improper voltage drop when it tries to operate the solenoid valve.	X	X
Throttle position sensor Throttle position switch (THRTL POSI SEN-A/T)	• A/T control unit receives an excessively low or high voltage from the sensor.	X	X
Engine speed signal (ENGINE SPEED SIG)	• A/T control unit does not receive the proper voltage signal from the ECM.	X	X


ON BOARD DIAGNOSTIC SYSTEM DESCRIPTION

Self-diagnosis (Cont'd)

Detected items (Screen terms for CONSULT, "SELF-DIAG RESULTS" test mode)	Malfunction is detected when ...	Indicator for Diagnostic Results	
		 O/D OFF indicator lamp (Available when "A/T" on CONSULT is touched.)	 Malfunction indicator lamp*2 (Available when "ENGINE" on CON- SULT is touched.)
A/T fluid temperature sensor (A/T FLUID TEMP SENSOR)	• A/T control unit receives an excessively low or high voltage from the sensor.	X	X
Initial start INITIAL START	• This is not a malfunction message (Whenever shutting off a power supply to the control unit, this message appears on the screen.)	X	—
No failure (NO SELF DIAGNOSTIC FAILURE INDICATED FURTHER TESTING MAY BE REQUIRED")	• No failure has been detected.	X	X

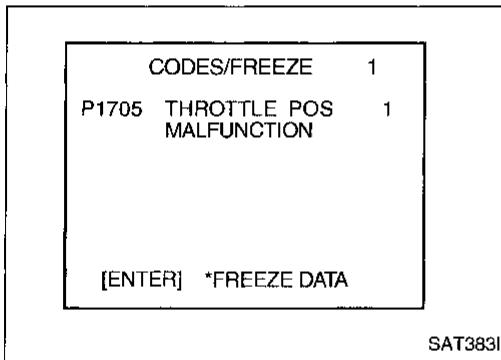
X : Applicable

— : Not applicable

*1 : These malfunctions can not be displayed by MIL  if another malfunction is assigned to the O/D OFF indicator lamp

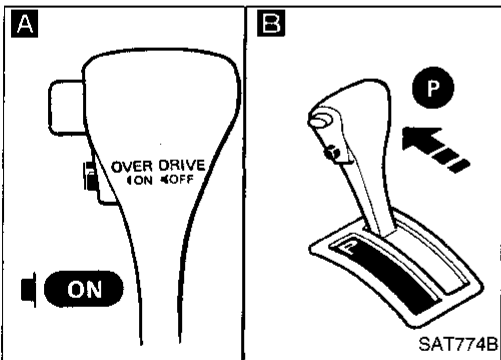


*2 : Refer to EC section ["Malfunction Indicator Lamp (MIL)", "ON BOARD DIAGNOSTIC SYSTEM DESCRIPTION"].



SELF-DIAGNOSTIC PROCEDURE (With GST)

Refer to EC section ["Generic Scan Tool (GST)", "ON BOARD DIAGNOSTIC SYSTEM DESCRIPTION"].



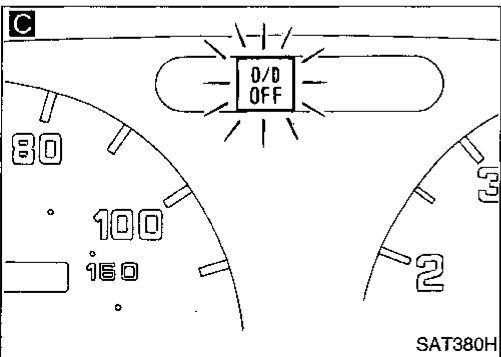
SELF-DIAGNOSTIC PROCEDURE (No Tools)

DIAGNOSIS START

- A B C**
1. Start engine and warm it up to normal engine operating temperature.
 2. Turn ignition switch to "OFF" position. Wait for at least 5 seconds.
 3. Turn ignition switch to "ACC" position.
 4. Set overdrive control switch in "ON" position.
 5. Move selector lever to "P" position.
 6. Turn ignition switch to "ON" position. (Do not start engine.)
 7. Does O/D OFF indicator lamp come on for about 2 seconds?

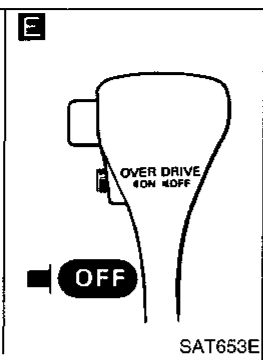
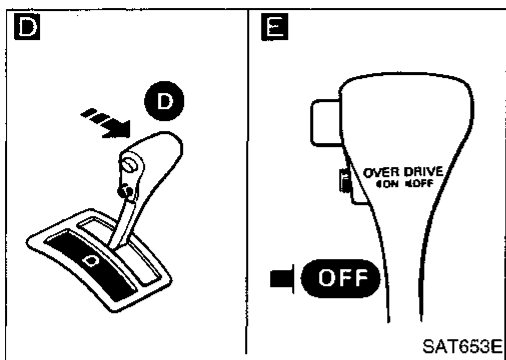
No → Go to "1. O/D OFF Indicator Lamp Does Not Come On", AT-110.

Yes
↓
A

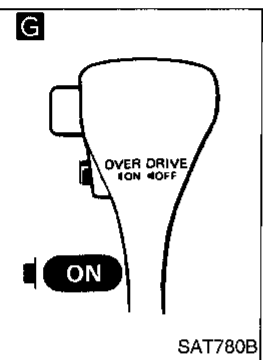
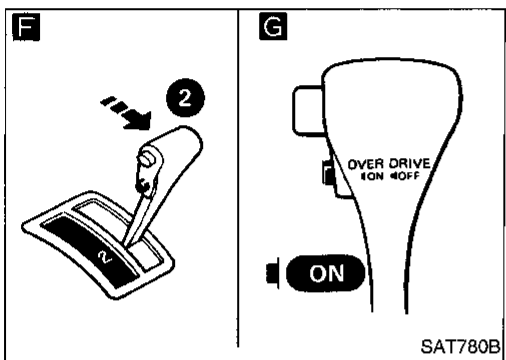


ON BOARD DIAGNOSTIC SYSTEM DESCRIPTION

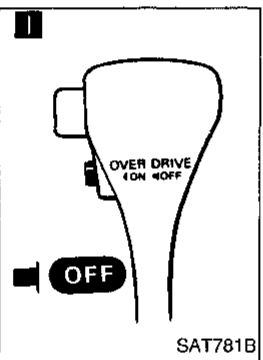
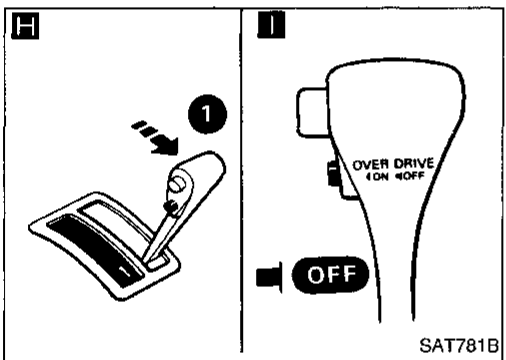
Self-diagnosis (Cont'd)



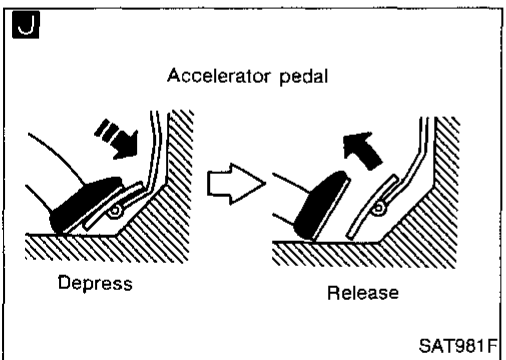
SAT653E



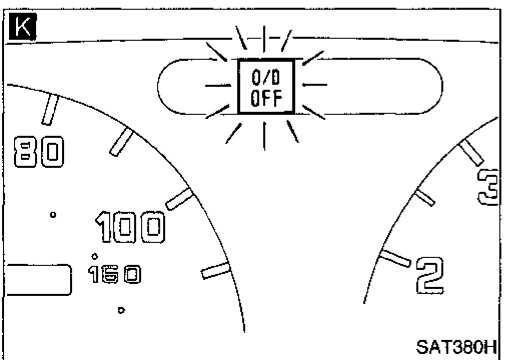
SAT780B



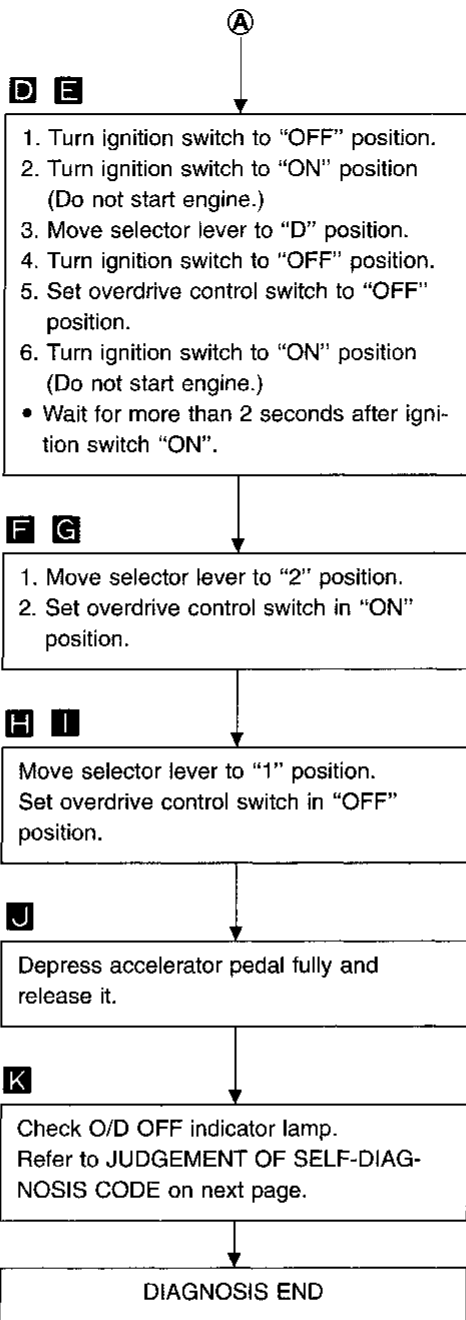
SAT781B



SAT981F



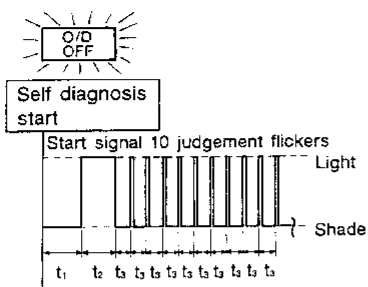
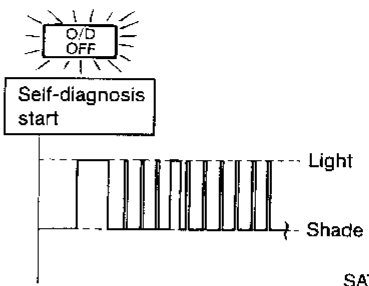
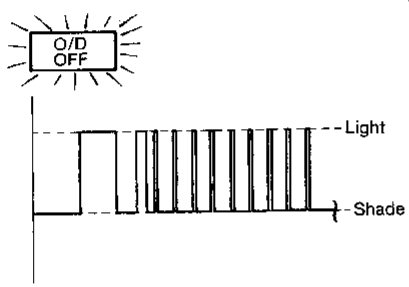
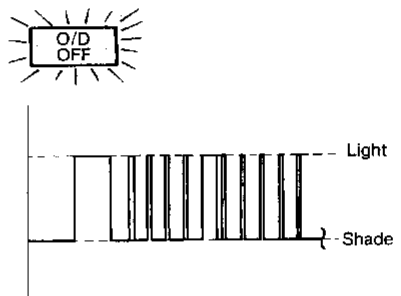
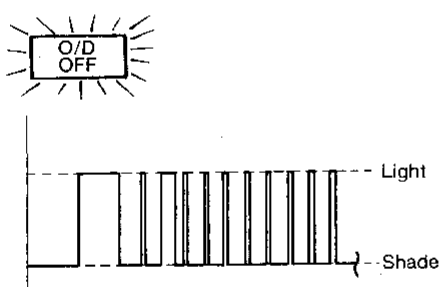
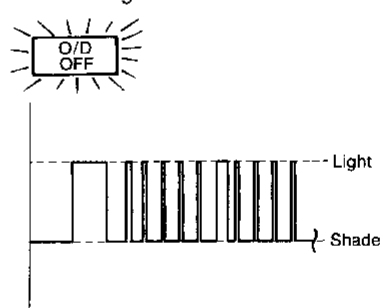
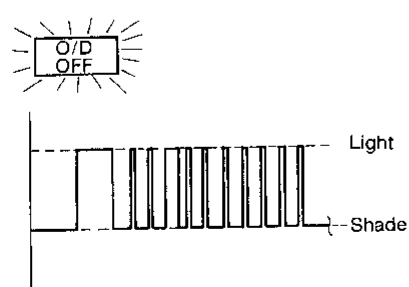
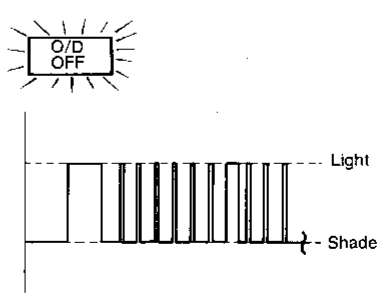
SAT380H



ON BOARD DIAGNOSTIC SYSTEM DESCRIPTION

Self-diagnosis (Cont'd)

JUDGEMENT OF SELF-DIAGNOSIS CODE

O/D OFF indicator lamp:	
<p>All judgement flickers are same.</p>  <p style="text-align: right;">SAT436F</p>	<p>4th judgement flicker is longer than others.</p>  <p style="text-align: right;">SAT443F</p>
<p>All circuits that can be confirmed by self-diagnosis are OK.</p> <p>1st judgement flicker is longer than others.</p>  <p style="text-align: right;">SAT437F</p>	<p>5th judgement flicker is longer than others.</p>  <p style="text-align: right;">SAT445F</p>
<p>Revolution sensor circuit is short-circuited or disconnected.</p> <p>➔ Go to VEHICLE SPEED SENSOR-A/T (REVOLUTION SENSOR) (DTC: 1102), AT-68.</p>	<p>Shift solenoid valve A circuit is short-circuited or disconnected.</p> <p>➔ Go to SHIFT SOLENOID VALVE A (DTC: 1108), AT-97.</p>
<p>2nd judgement flicker is longer than others.</p>  <p style="text-align: right;">SAT439F</p>	<p>6th judgement flicker is longer than others.</p>  <p style="text-align: right;">SAT447F</p>
<p>Vehicle speed sensor circuit is short-circuited or disconnected.</p> <p>➔ Go to VEHICLE SPEED SENSOR-MTR, AT-108.</p>	<p>Overrun clutch solenoid valve circuit is short-circuited or disconnected.</p> <p>➔ Go to OVERRUN CLUTCH SOLENOID VALVE (DTC: 1203), AT-105.</p>
<p>3rd judgement flicker is longer than others.</p>  <p style="text-align: right;">SAT441F</p>	<p>7th judgement flicker is longer than others.</p>  <p style="text-align: right;">SAT449F</p>
<p>Throttle position sensor circuit is short-circuited or disconnected.</p> <p>➔ Go to THROTTLE POSITION SENSOR (DTC: 1206), AT-103.</p>	<p>Torque converter clutch solenoid valve circuit is short-circuited or disconnected.</p> <p>➔ Go to TORQUE CONVERTER CLUTCH SOLENOID VALVE (DTC: 1204), AT-86.</p>

t₁ = 2.5 seconds t₂ = 2.0 seconds t₃ = 1.0 second

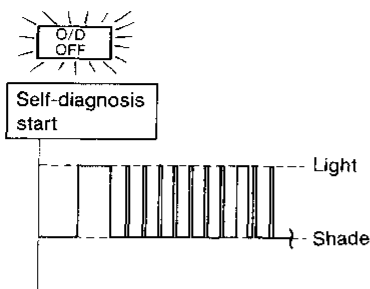
CI
 MA
 EM
 LC
 EC
 FE
 CL
 MT
AT
 FA
 RA
 BR
 ST
 RS
 BT
 HA
 EL
 IDX

ON BOARD DIAGNOSTIC SYSTEM DESCRIPTION

Self-diagnosis (Cont'd)

O/D OFF indicator lamp:

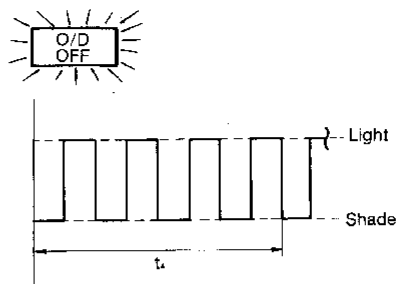
8th judgement flicker is longer than others.



SAT451F

A/T fluid temperature sensor is disconnected or A/T control unit power source circuit is damaged.
 ➔ Go to **A/T FLUID TEMPERATURE SENSOR AND A/T CONTROL UNIT POWER SOURCE (DTC: 1208), AT-65.**

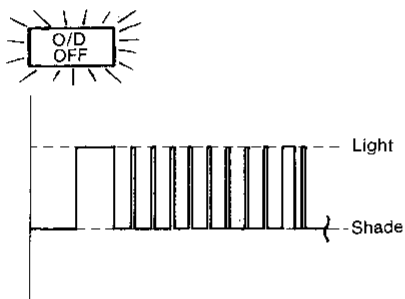
Flickers as shown below.



SAT457F

Battery power is low.
 Battery has been disconnected for a long time.
 Battery is connected conversely.
 (When reconnecting A/T control unit connectors. — This is not a problem.)

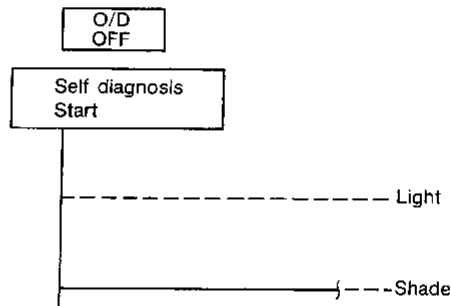
9th judgement flicker is longer than others.



SAT453F

Engine speed signal circuit is short-circuited or disconnected.
 ➔ Go to **ENGINE SPEED SIGNAL (DTC: 1207), AT-70.**

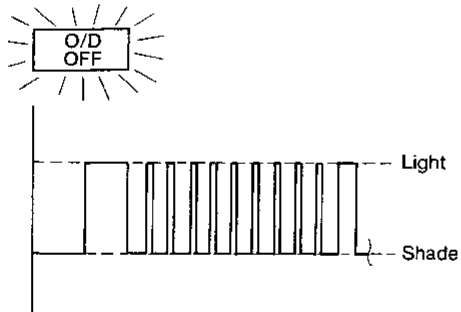
Does not come on.



SAT414G

Inhibitor switch, overdrive control switch or throttle position switch circuit is disconnected or A/T control unit is damaged.
 ➔ Go to **INHIBITOR, OVERDRIVE CONTROL AND THROTTLE POSITION SWITCHES (DTC: 1101), AT-59.**

10th judgement flicker is longer than others.



SAT455F

Line pressure solenoid valve circuit is short-circuited or disconnected.
 ➔ Go to **LINE PRESSURE SOLENOID VALVE (DTC: 1205), AT-94.**

$t_4 = 1.0$ second

ON BOARD DIAGNOSTIC SYSTEM DESCRIPTION

Diagnosis by CONSULT

NOTICE

- The CONSULT electrically displays shift timing and lock-up timing (that is, operation timing of each solenoid).
Check for time difference between actual shift timing and the CONSULT display. If the difference is noticeable, mechanical parts (except solenoids, sensors, etc.) may be malfunctioning. Check mechanical parts using applicable diagnostic procedures.
- Shift schedule (which implies gear position) displayed on CONSULT and that indicated in Service Manual may differ slightly. This occurs because of the following reasons:
 - Actual shift schedule has more or less tolerance or allowance,
 - Shift schedule indicated in Service Manual refers to the point where shifts start, and
 - Gear position displayed on CONSULT indicates the point where shifts are completed.
- Shift solenoid valve "A" or "B" is displayed on CONSULT at the start of shifting. Gear position is displayed upon completion of shifting (which is computed by A/T control unit).
- Additional CONSULT information can be found in the Operation Manual supplied with the CONSULT unit.

SELF-DIAGNOSTIC RESULT TEST MODE

Refer to AT-26.

DATA MONITOR DIAGNOSTIC TEST MODE

Item	Display	Monitor item		Description	Remarks
		ECU input signals	Main signals		
Vehicle speed sensor 1 (A/T) (Revolution sensor)	VHCL/S SE-A/T [km/h] or [mph]	X	—	• Vehicle speed computed from signal of revolution sensor is displayed.	When racing engine in "N" or "P" position with vehicle stationary, CONSULT data may not indicate 0 km/h (0 mph).
Vehicle speed sensor 2 (Meter)	VHCL/S SE-MTR [km/h] or [mph]	X	—	• Vehicle speed computed from signal of vehicle speed sensor is displayed.	Vehicle speed display may not be accurate under approx. 10 km/h (6 mph). It may not indicate 0 km/h (0 mph) when vehicle is stationary.
Throttle position sensor	THRTL POS SEN [V]	X	—	• Throttle position sensor signal voltage is displayed.	
A/T fluid temperature sensor	FLUID TEMP SEN [V]	X	—	• A/T fluid temperature sensor signal voltage is displayed. • Signal voltage lowers as fluid temperature rises.	
Battery voltage	BATTERY VOLT [V]	X	—	• Source voltage of control unit is displayed.	
Engine speed	ENGINE SPEED [rpm]	X	X	• Engine speed, computed from engine speed signal, is displayed.	Engine speed display may not be accurate under approx. 800 rpm. It may not indicate 0 rpm even when engine is not running.
Overdrive control switch	OVERDRIVE SW [ON/OFF]	X	—	• ON/OFF state computed from signal of overdrive control SW is displayed.	
P/N position switch	P/N POSI SW [ON/OFF]	X	—	• ON/OFF state computed from signal of P/N position SW is displayed.	
R position switch	R POSITION SW [ON/OFF]	X	—	• ON/OFF state computed from signal of R position SW is displayed.	
D position switch	D POSITION SW [ON/OFF]	X	—	• ON/OFF state computed from signal of D position SW is displayed.	
2 position switch	2 POSITION SW [ON/OFF]	X	—	• ON/OFF status, computed from signal of 2 position SW, is displayed.	

ON BOARD DIAGNOSTIC SYSTEM DESCRIPTION

Diagnosis by CONSULT (Cont'd)

Item	Display	Monitor item		Description	Remarks
		ECU input signals	Main signals		
1 position switch	1 POSITION SW [ON/OFF]	X	—	• ON/OFF status, computed from signal of 1 position SW, is displayed.	
ASCD-cruise signal	ASCD-CRUISE [ON/OFF]	X	—	• Status of ASCD cruise signal is displayed. ON ... Cruising state OFF ... Normal running state	• This is displayed even when no ASCD is mounted.
ASCD-OD cut signal	ASCD-OD CUT [ON/OFF]	X	—	• Status of ASCD-OD release signal is displayed. ON ... OD released OFF ... OD not released	• This is displayed even when no ASCD is mounted.
Kickdown switch	KICKDOWN SW [ON/OFF]	X	—	• ON/OFF status, computed from signal of kickdown SW, is displayed.	• This is displayed even when no kickdown switch is equipped.
Closed throttle position switch	CLOSED THL/SW [ON/OFF]	X	—	• ON/OFF status, computed from signal of closed throttle position SW, is displayed.	
Wide open throttle position switch	W/O THRL/P-SW [ON/OFF]	X	—	• ON/OFF status, computed from signal of wide open throttle position SW, is displayed.	
Gear position	GEAR	—	X	• Gear position data used for computation by control unit, is displayed.	
Selector lever position	SLCT LVR POSI	—	X	• Selector lever position data, used for computation by control unit, is displayed.	• A specific value used for control is displayed if fail-safe is activated due to error.
Vehicle speed	VEHICLE SPEED [km/h] or [mph]	—	X	• Vehicle speed data, used for computation by control unit, is displayed.	
Throttle position	THROTTLE POSI [°]	—	X	• Throttle position data, used for computation by control unit, is displayed.	• A specific value used for control is displayed if fail-safe is activated due to error.
Line pressure duty	LINE PRES DTY [%]	—	X	• Control value of line pressure solenoid valve, computed by control unit from each input signal, is displayed.	
Torque converter clutch solenoid valve duty	TCC S/V DUTY [%]	—	X	• Control value of torque converter clutch solenoid valve, computed by control unit from each input signal, is displayed.	
Shift solenoid valve A	SHIFT S/V A [ON/OFF]	—	X	• Control value of shift solenoid valve A, computed by control unit from each input signal, is displayed.	Control value of solenoid is displayed even if solenoid circuit is disconnected. The "OFF" signal is displayed if solenoid circuit is shorted.
Shift solenoid valve B	SHIFT S/V B [ON/OFF]	—	X	• Control value of shift solenoid valve B, computed by control unit from each input signal, is displayed.	
Overrun clutch solenoid valve	OVERRUN/C S/V [ON/OFF]	—	X	• Control value of overrun clutch solenoid valve computed by control unit from each input signal is displayed.	
Self-diagnosis display lamp (O/D OFF indicator lamp)	SELF-D DP LMP [ON/OFF]	—	X	• Control status of O/D OFF indicator lamp is displayed.	

X: Applicable

—: Not applicable

ON BOARD DIAGNOSTIC SYSTEM DESCRIPTION

Diagnosis by CONSULT (Cont'd)

DATA ANALYSIS

Item	Display form	Meaning	
Torque converter clutch solenoid valve duty	Approximately 4%	Lock-up "OFF"	GI
	↓	↓	
	Approximately 94%	Lock-up "ON"	
Line pressure solenoid valve duty	Approximately 24%	Low line-pressure (Small throttle opening)	MA
	↓	↓	
	Approximately 95%	High line-pressure (Large throttle opening)	EM
Throttle position sensor	Approximately 0.5V	Fully-closed throttle	LC
	↓	↓	
	Approximately 4V	Fully-open throttle	
A/T fluid temperature sensor	Approximately 1.5V	Cold [20°C (68°F)]	EC
	↓	↓	
	Approximately 0.5V	Hot [80°C (176°F)]	

Gear position	1	2	3	4	
Shift solenoid valve A	ON	OFF	OFF	ON	FE
Shift solenoid valve B	ON	ON	OFF	OFF	CL

MT

AT

FA

RA

BR

ST

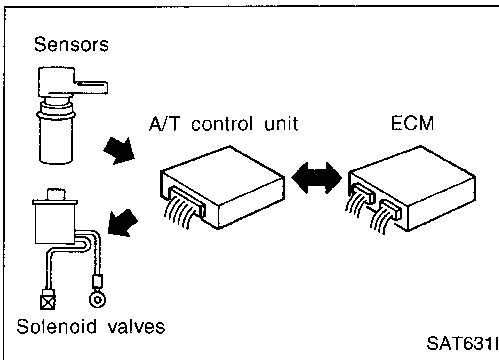
RS

BT

HA

EL

IDX



Introduction

The A/T control unit receives a signal from the vehicle-speed sensor, throttle position sensor or inhibitor switch and provides shift control or lock-up control via A/T unit solenoid valves.

The A/T control unit also communicates with the ECM by means of a signal sent from sensing elements used with the OBD-related parts of the A/T system for malfunction-diagnostic purposes. The A/T control unit is capable of diagnosing malfunctioning parts while the ECM can store malfunctions in its memory.

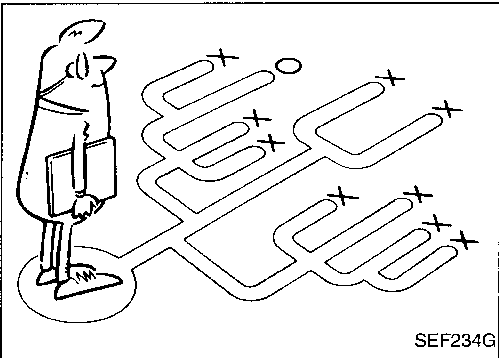
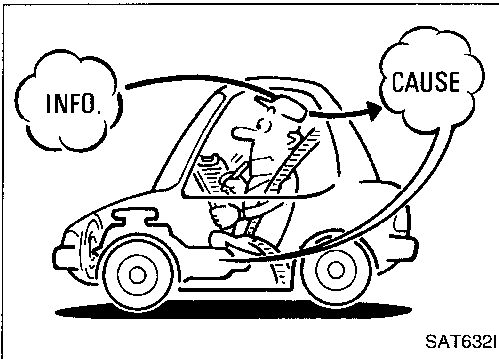
Input and output signals must always be correct and stable in the operation of the A/T system. The A/T system must be in good operating condition and be free of valve seizure, solenoid valve malfunction, etc.

It is much more difficult to diagnose a problem that occurs intermittently rather than continuously. Most intermittent problems are caused by poor electric connections or improper wiring. In this case, careful checking of suspected circuits may help prevent the replacement of good parts.

A visual check only may not find the cause of the problems. A road test with CONSULT (or GST) or a circuit tester connected should be performed. Follow the "Work Flow". Refer to AT-38.

Before undertaking actual checks, take a few minutes to talk with a customer who approaches with a driveability complaint. The customer can supply good information about such problems, especially intermittent ones. Find out what symptoms are present and under what conditions they occur. A "Diagnostic Worksheet" like the example (AT-36) should be used.

Start your diagnosis by looking for "conventional" problems first. This will help troubleshoot driveability problems on an electronically controlled engine vehicle.



TROUBLE DIAGNOSIS — Introduction

Diagnostic Worksheet (Cont'd)

DIAGNOSTIC WORKSHEET

1.	<input type="checkbox"/> Read the Fail-safe and listen to customer complaints.	AT-8
2.	<input type="checkbox"/> CHECK A/T FLUID	AT-39
	<input type="checkbox"/> Leakage (Follow specified procedure) <input type="checkbox"/> Fluid condition <input type="checkbox"/> Fluid level	
3.	<input type="checkbox"/> Perform all ROAD TEST and mark required procedures.	AT-39
	3-1. Check before engine is started <input type="checkbox"/> SELF-DIAGNOSTIC PROCEDURE — Mark detected items. <ul style="list-style-type: none"> <input type="checkbox"/> Inhibitor, overdrive control and throttle position switches, AT-59. <input type="checkbox"/> A/T fluid temperature sensor and A/T control unit power source, AT-65. <input type="checkbox"/> Vehicle speed sensor-A/T (Revolution sensor), AT-68. <input type="checkbox"/> Engine speed signal, AT-70. <input type="checkbox"/> Torque converter clutch solenoid valve, AT-86. <input type="checkbox"/> Line pressure solenoid valve, AT-94. <input type="checkbox"/> Shift solenoid valve A, AT-97. <input type="checkbox"/> Shift solenoid valve B, AT-100. <input type="checkbox"/> Throttle position sensor, AT-103. <input type="checkbox"/> Overrun clutch solenoid valve, AT-105. <input type="checkbox"/> Vehicle speed sensor-MTR, AT-108. <input type="checkbox"/> Battery <input type="checkbox"/> Others 	AT-40
	3-2. Check at idle <ul style="list-style-type: none"> <input type="checkbox"/> 1. O/D OFF Indicator Lamp Does Not Come On, AT-110. <input type="checkbox"/> 2. Engine Cannot Be Started In "P" And "N" Position, AT-111. <input type="checkbox"/> 3. In "P" Position, Vehicle Moves Forward Or Backward When Pushed, AT-111. <input type="checkbox"/> 4. In "N" Position, Vehicle Moves, AT-112. <input type="checkbox"/> 5. Large Shock. "N" → "R" Position, AT-113. <input type="checkbox"/> 6. Vehicle Does Not Creep Backward In "R" Position, AT-114. <input type="checkbox"/> 7. Vehicle Does Not Creep Forward In "D", "2" Or "1" Position, AT-115. 	AT-41
3-3. Cruise test Part-1 <ul style="list-style-type: none"> <input type="checkbox"/> 8. Vehicle Cannot Be Started From D₁, AT-116. <input type="checkbox"/> 9. A/T Does Not Shift: D₁ → D₂ Or Does Not Kickdown: D₄ → D₂, AT-117. <input type="checkbox"/> 10. A/T Does Not Shift: D₂ → D₃, AT-118. <input type="checkbox"/> 11. A/T Does Not Shift: D₃ → D₄, AT-119. <input type="checkbox"/> 12. A/T Does Not Perform Lock-up, AT-120. <input type="checkbox"/> 13. A/T Does Not Hold Lock-up Condition, AT-121. <input type="checkbox"/> 14. Lock-up Is Not Released, AT-121. <input type="checkbox"/> 15. Engine Speed Does Not Return To Idle (Light Braking D₄ → D₃), AT-122. 	AT-42, AT-45	

TROUBLE DIAGNOSIS — Introduction

Diagnostic Worksheet (Cont'd)

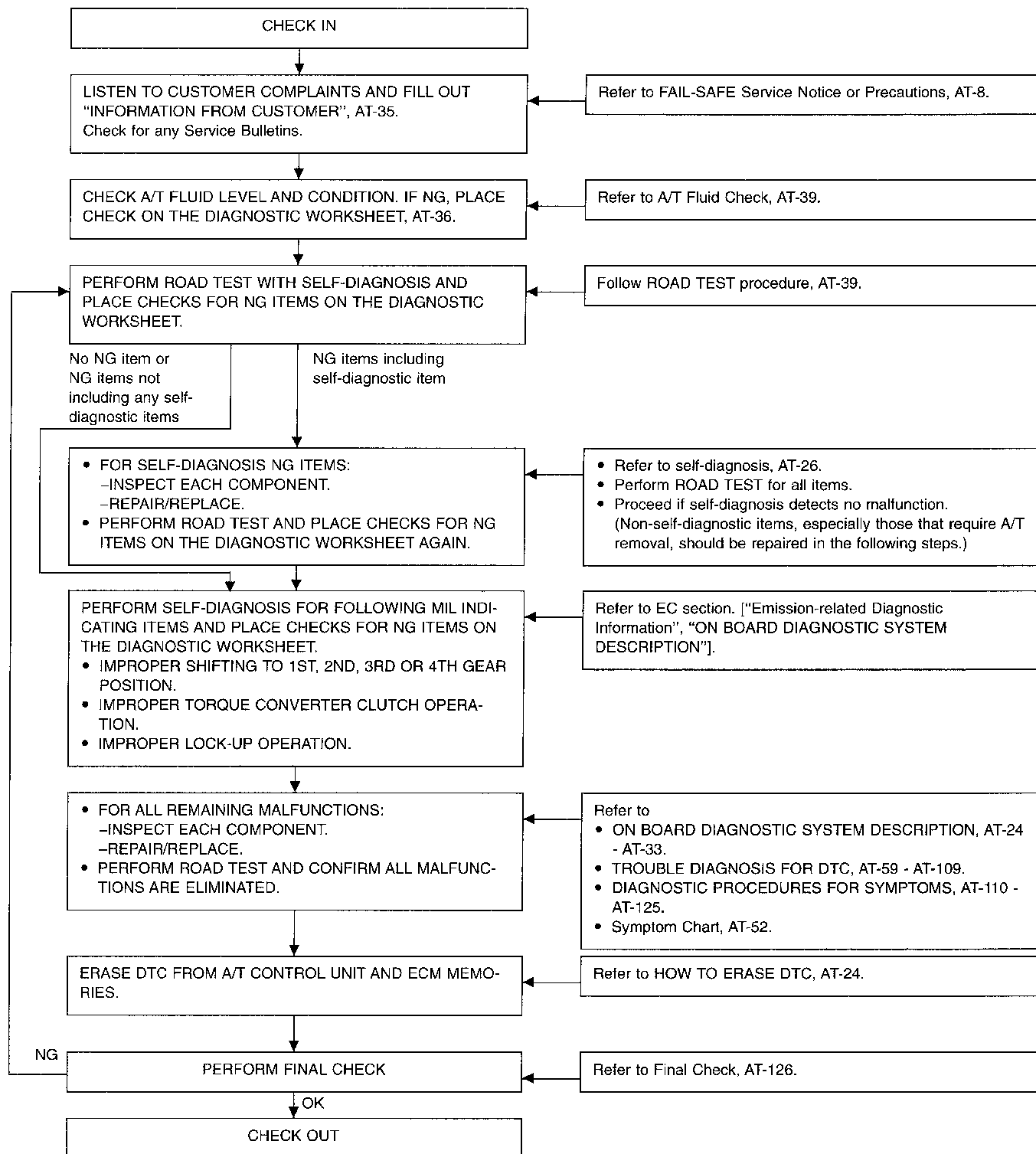
3.	<p>Part-2</p> <ul style="list-style-type: none"> <input type="checkbox"/> 16. Vehicle Does Not Start From D₁, AT-123. <input type="checkbox"/> 9. A/T Does Not Shift: D₁ → D₂ Or Does Not Kickdown: D₄ → D₂, AT-117. <input type="checkbox"/> 10. A/T Does Not Shift: D₂ → D₃, AT-118. <input type="checkbox"/> 11. A/T Does Not Shift: D₃ → D₄, AT-119. <p>Part-3</p> <ul style="list-style-type: none"> <input type="checkbox"/> 17. A/T Does Not Shift: D₄ → D₃ When Overdrive Control Switch "ON" → "OFF", AT-123 <input type="checkbox"/> 15. Engine Speed Does Not Return To Idle (Engine Brake In D₃), AT-122. <input type="checkbox"/> 18. A/T Does Not Shift: D₃ → 2₂, When Selector Lever "D" → "2" Position, AT-124. <input type="checkbox"/> 15. Engine Speed Does Not Return To Idle (Engine Brake In 2₂), AT-122. <input type="checkbox"/> 19. A/T Does Not Shift: 2₂ → 1₁, When Selector Lever "2" → "1" Position, AT-124. <input type="checkbox"/> 20. Vehicle Does Not Decelerate By Engine Brake, AT-125. <input type="checkbox"/> SELF-DIAGNOSTIC PROCEDURE — Mark detected items. <ul style="list-style-type: none"> <input type="checkbox"/> Inhibitor, overdrive control and throttle position switches, AT-59. <input type="checkbox"/> A/T fluid temperature sensor and A/T control unit power source, AT-65. <input type="checkbox"/> Vehicle speed sensor-A/T (Revolution sensor), AT-68. <input type="checkbox"/> Engine speed signal, AT-70. <input type="checkbox"/> Torque converter clutch solenoid valve, AT-86. <input type="checkbox"/> Line pressure solenoid valve, AT-94. <input type="checkbox"/> Shift solenoid valve A, AT-97. <input type="checkbox"/> Shift solenoid valve B, AT-100. <input type="checkbox"/> Throttle position sensor, AT-103. <input type="checkbox"/> Overrun clutch solenoid valve, AT-105. <input type="checkbox"/> Vehicle speed sensor-MTR, AT-108. <input type="checkbox"/> Battery <input type="checkbox"/> Others 	AT-47											
		AT-48	CI MA EM LC EC FE CL MT AT										
4.	<input type="checkbox"/> For self-diagnosis NG items, inspect each component. Repair or replace the damaged parts.	AT-26	FA										
5.	<input type="checkbox"/> Perform all ROAD TEST and re-mark required procedures.	AT-39	RA										
6.	<input type="checkbox"/> Perform SELF-DIAGNOSIS for following MIL indicating items and check out NG items. Refer to EC section ["Emission-related Diagnostic Information", "ON BOARD DIAGNOSTIC SYSTEM DESCRIPTION"]. <ul style="list-style-type: none"> <input type="checkbox"/> DTC (P0731, 1103) Improper shifting to 1st gear position, AT-72. <input type="checkbox"/> DTC (P0732, 1104) Improper shifting to 2nd gear position, AT-75. <input type="checkbox"/> DTC (P0733, 1105) Improper shifting to 3rd gear position, AT-78. <input type="checkbox"/> DTC (P0734, 1106) Improper shifting to 4th gear position, AT-81. <input type="checkbox"/> DTC (P0744, 1107) Improper lock-up operation, AT-89. 	EC section	BR ST RS										
7.	<input type="checkbox"/> Perform the Diagnostic Procedures for all remaining items marked NG. Repair or replace the damaged parts. Refer to the Symptom Chart when you perform the procedures. (The chart also shows some other possible symptoms and the component inspection orders.)	AT-55 AT-52	BT										
8.	<input type="checkbox"/> Erase DTC from A/T control unit and ECM memories.	AT-24	HA										
9.	Perform FINAL CHECK. <ul style="list-style-type: none"> <input type="checkbox"/> Stall test — Mark possible damaged components/others. <table style="width: 100%; border: none;"> <tr> <td style="width: 50%;"><input type="checkbox"/> Torque converter one-way clutch</td> <td style="width: 50%;"><input type="checkbox"/> Low & reverse brake</td> </tr> <tr> <td><input type="checkbox"/> Reverse clutch</td> <td><input type="checkbox"/> Low one-way clutch</td> </tr> <tr> <td><input type="checkbox"/> Forward clutch</td> <td><input type="checkbox"/> Engine</td> </tr> <tr> <td><input type="checkbox"/> Overrun clutch</td> <td><input type="checkbox"/> Line pressure is low</td> </tr> <tr> <td><input type="checkbox"/> Forward one-way clutch</td> <td><input type="checkbox"/> Clutches and brakes except high clutch and brake band are OK</td> </tr> </table> <input type="checkbox"/> Pressure test — Suspected parts: 	<input type="checkbox"/> Torque converter one-way clutch	<input type="checkbox"/> Low & reverse brake	<input type="checkbox"/> Reverse clutch	<input type="checkbox"/> Low one-way clutch	<input type="checkbox"/> Forward clutch	<input type="checkbox"/> Engine	<input type="checkbox"/> Overrun clutch	<input type="checkbox"/> Line pressure is low	<input type="checkbox"/> Forward one-way clutch	<input type="checkbox"/> Clutches and brakes except high clutch and brake band are OK	AT-126	EL IDX
<input type="checkbox"/> Torque converter one-way clutch	<input type="checkbox"/> Low & reverse brake												
<input type="checkbox"/> Reverse clutch	<input type="checkbox"/> Low one-way clutch												
<input type="checkbox"/> Forward clutch	<input type="checkbox"/> Engine												
<input type="checkbox"/> Overrun clutch	<input type="checkbox"/> Line pressure is low												
<input type="checkbox"/> Forward one-way clutch	<input type="checkbox"/> Clutches and brakes except high clutch and brake band are OK												

Work Flow

HOW TO PERFORM TROUBLE DIAGNOSES FOR QUICK AND ACCURATE REPAIR

A good understanding of the malfunction conditions can make troubleshooting faster and more accurate. In general, each customer feels differently about a problem. It is important to fully understand the symptoms or conditions for a customer complaint.

Make good use of the two sheets provided, "INFORMATION FROM CUSTOMER" and "DIAGNOSTIC WORKSHEET", to perform the best troubleshooting possible.



A/T Fluid Check

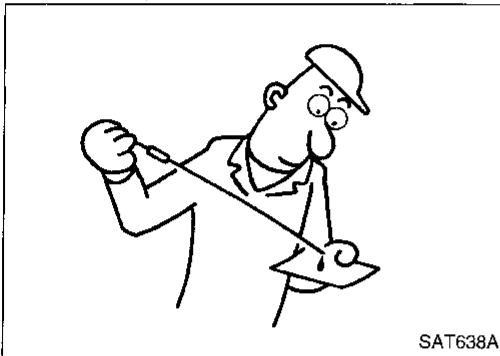
FLUID LEAKAGE CHECK

1. Clean area suspected of leaking. — for example, mating surface of converter housing and transmission case.
2. Start engine, apply foot brake, place selector lever in “D” position and wait a few minutes.
3. Stop engine.
4. Check for fresh leakage.

GI

MA

EM



SAT638A

FLUID CONDITION CHECK

Fluid color	Suspected problem
Dark or black with burned odor	Wear of frictional material
Milky pink	Water contamination — Road water entering through filler tube or breather
Varnished fluid, light to dark brown and tacky	Oxidation — Over or under filling, — Overheating

LC

EC

FE

FLUID LEVEL CHECK

Refer to MA section (“Checking A/T Fluid”, “CHASSIS AND BODY MAINTENANCE”).

CL

Road Test

DESCRIPTION

- The purpose of the test is to determine overall performance of A/T and analyze causes of problems.
- The road test consists of the following three parts:
 1. Check before engine is started
 2. Check at idle
 3. Cruise test

MT

AT

FA

RA

ROAD TEST PROCEDURE

1. Check before engine is started.

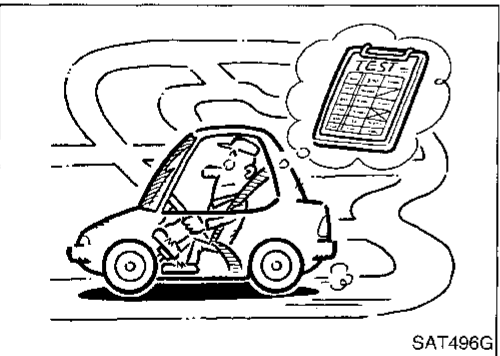


2. Check at idle.



3. Cruise test.

SAT786A



SAT496G

- Before road test, familiarize yourself with all test procedures and items to check.
- Conduct tests on all items until specified symptom is found. Troubleshoot items which check out No Good after road test. Refer to “ON BOARD DIAGNOSTIC SYSTEM DESCRIPTION” and “DIAGNOSTIC PROCEDURES FOR SYMPTOMS”, AT-24 - AT-33 and AT-110 - AT-125.

BR

ST

RS

BT

HA

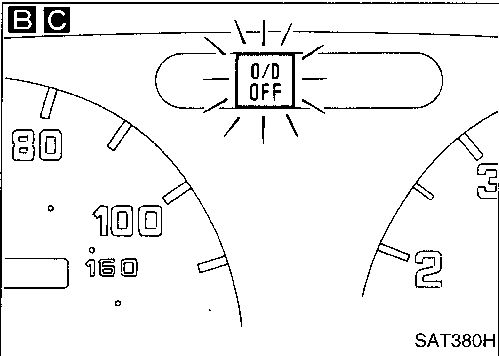
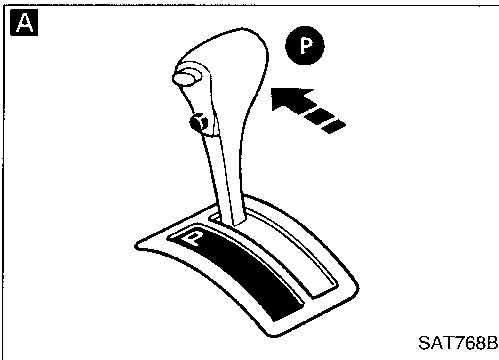
EL

IDX

TROUBLE DIAGNOSIS — Basic Inspection

Road Test (Cont'd)

1. CHECK BEFORE ENGINE IS STARTED



A B

1. Park vehicle on flat surface.
2. Turn ignition switch to "OFF" position.
3. Move selector lever to "P" position.
4. Set overdrive control switch to "ON" position.
5. Turn ignition switch to "ON" position. (Do not start engine.)
6. Does O/D OFF indicator lamp come on for about 2 seconds?

No

Go to "1. O/D OFF Indicator Lamp Does Not Come On", AT-110.

Yes

C

Does O/D OFF indicator lamp flicker for about 8 seconds?

Yes

Perform self-diagnosis. Refer to SELF-DIAGNOSIS PROCEDURE, AT-26.

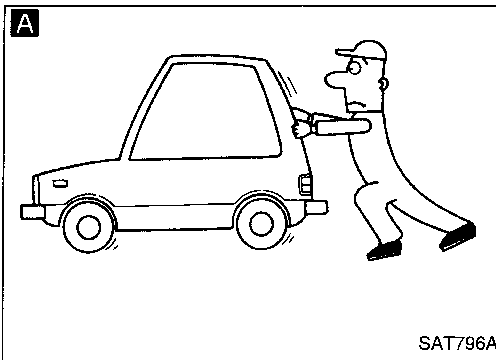
No

1. Turn ignition switch to "OFF" position.
2. Perform self-diagnosis and note NG items. Refer to SELF-DIAGNOSIS PROCEDURE, AT-26.
3. Go to "2. Check at idle", AT-41.

TROUBLE DIAGNOSIS — Basic Inspection

Road Test (Cont'd)

2. CHECK AT IDLE



1. Park vehicle on flat surface.
2. Turn ignition switch to "OFF" position.
3. Move selector lever to "P" or "N" position.
4. Turn ignition switch to start position.
5. Is engine started?

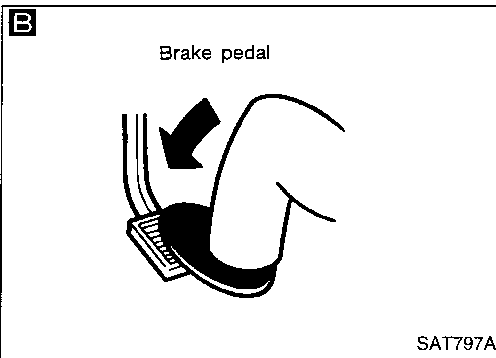
No → Go to "2. Engine Cannot Be Started In "P" and "N" Position", AT-111.

Yes

1. Turn ignition switch to "OFF" position.
2. Move selector lever to "D", "1", "2" or "R" position.
3. Turn ignition switch to start position.
4. Is engine started?

Yes → Go to "2. Engine Cannot Be Started In "P" and "N" Position", AT-111.

No



1. Turn ignition switch to "OFF" position.
2. Move selector lever to "P" position.
3. Release parking brake.
4. Push vehicle forward or backward.
5. Does vehicle move when it is pushed forward or backward?

Yes → Go to "3. In "P" Position, Vehicle Moves Forward Or Backward When Pushed", AT-111.

No

1. Apply parking brake.
2. Move selector lever to "N" position.
3. Turn ignition switch to "START" position and start engine.
4. Release parking brake.
5. Does vehicle move forward or backward?

Yes → Go to "4. In "N" Position, Vehicle Moves", AT-112.

No

1. Apply foot brake.
2. Move selector lever to "R" position.
3. Is there large shock when changing from "N" to "R" position?

Yes → Go to "5. Large Shock. "N" → "R" Position", AT-113.

No

1. Release foot brake for several seconds.
2. Does vehicle creep backward when foot brake is released?

No → Go to "6. Vehicle Does Not Creep Backward In "R" Position", AT-114.

Yes

1. Move selector lever to "D", "1" and "2" position and check if vehicle creeps forward.
2. Does vehicle creep forward in all three positions?

No → Go to "7. Vehicle Does Not Creep Forward In "D", "2" Or "1" Position", AT-115.

Yes

Go to "3. Cruise test", AT-42.

GI
MA
EM
LC
EC
FE
CL
MT
AT
FA
RA
BR
ST
RS
BT
HA
EL
IDX

TROUBLE DIAGNOSIS — Basic Inspection

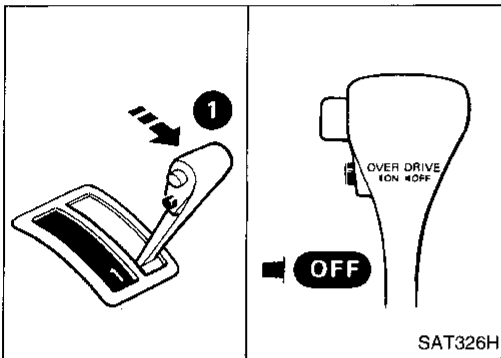
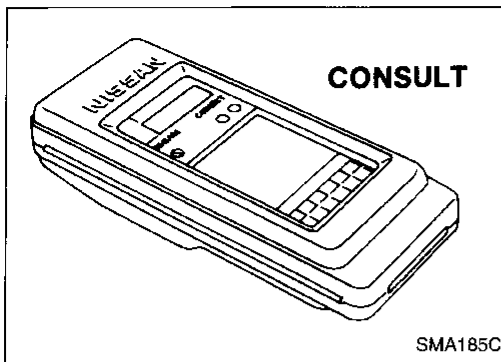
Road Test (Cont'd)

3. CRUISE TEST

- Check all items listed in Parts 1 through 3.

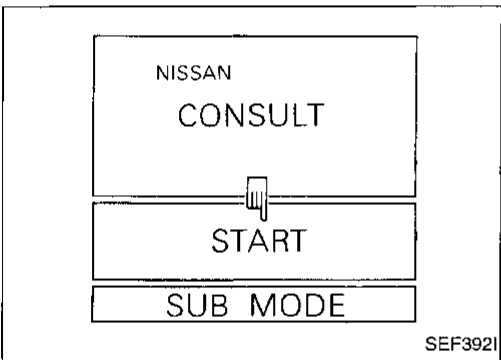
With CONSULT

- Using CONSULT, conduct a cruise test and record the result.
- Print the result and ensure that shifts and lock-ups take place as per "Shift Schedule".

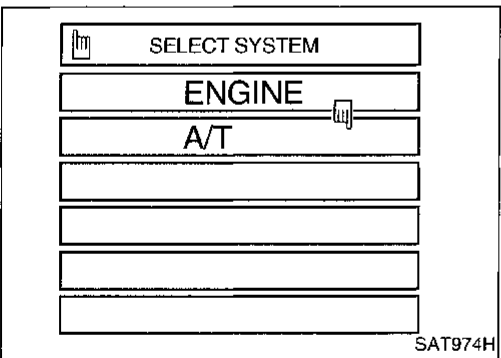


CONSULT setting procedure

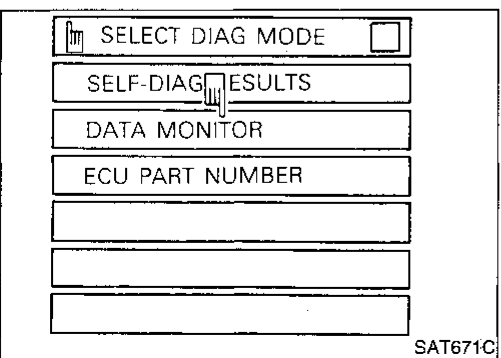
1. Turn off ignition switch.
2. Connect "CONSULT" to Data link connector for CONSULT. Data link connector for CONSULT is located in instrument lower panel on driver side.



3. Turn on ignition switch.
4. Touch "START".



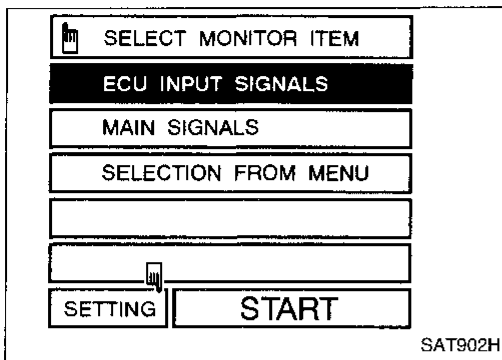
5. Touch "A/T".



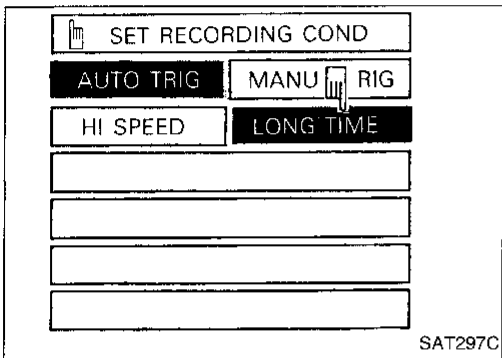
6. Touch "DATA MONITOR".

TROUBLE DIAGNOSIS — Basic Inspection

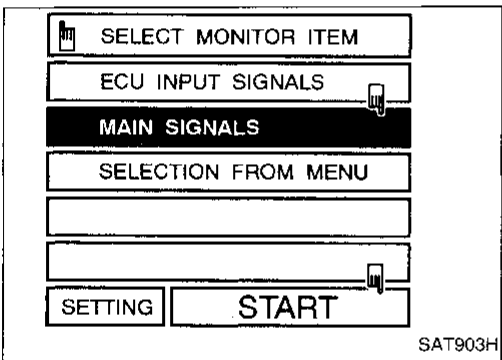
Road Test (Cont'd)



7. Touch "SETTING" to set recording condition.

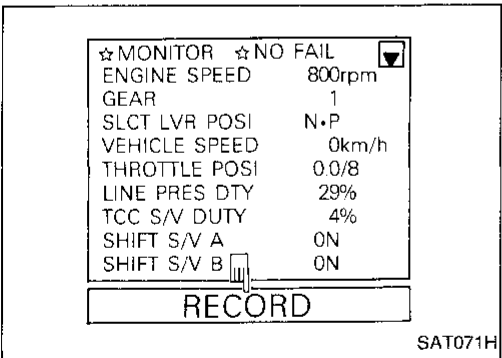


8. Touch "LONG TIME" and "ENTER" key.

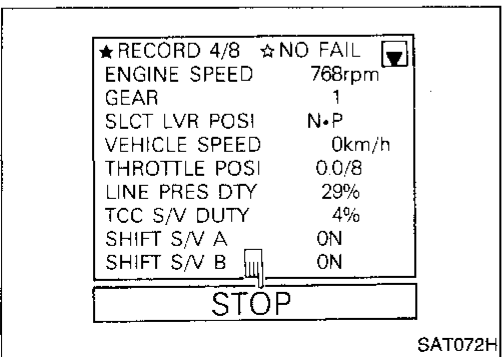


9. Go back to SELECT MONITOR ITEM and touch "MAIN SIGNALS".

10. Touch "START".



11. When performing cruise test, touch "RECORD".



12. After finishing cruise test part 1, touch "STOP".

GI

MA

EM

LC

EC

FE

CL

MT

AT

EA

RA

BR

ST

RS

BT

HA

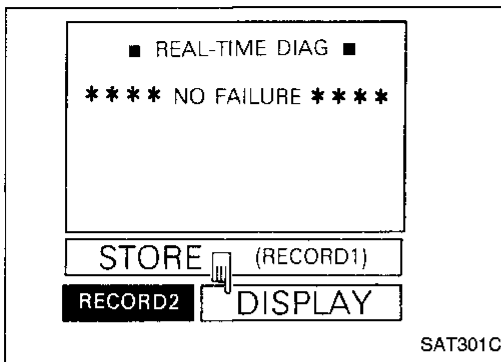
EL

IDX

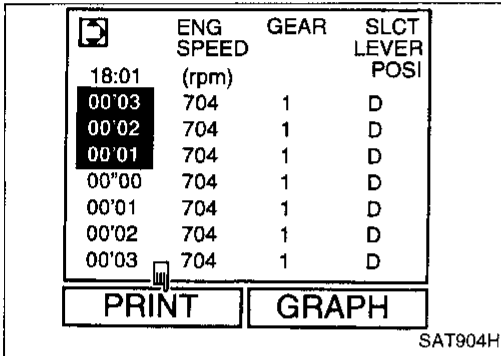
TROUBLE DIAGNOSIS — Basic Inspection

Road Test (Cont'd)

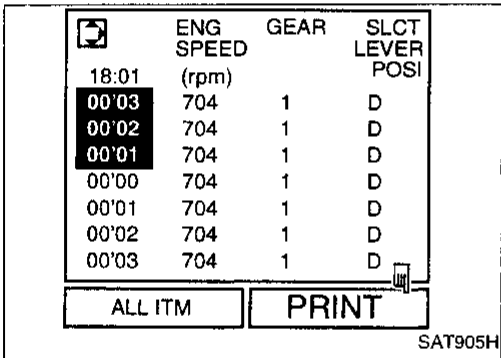
13. Touch "DISPLAY".



14. Touch "PRINT".

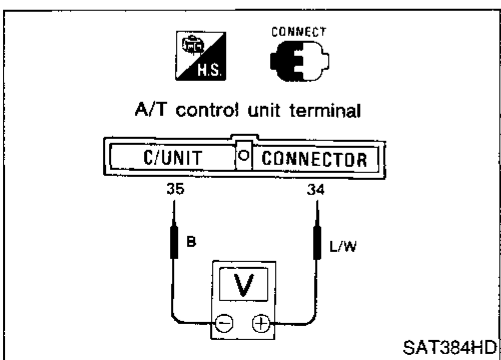
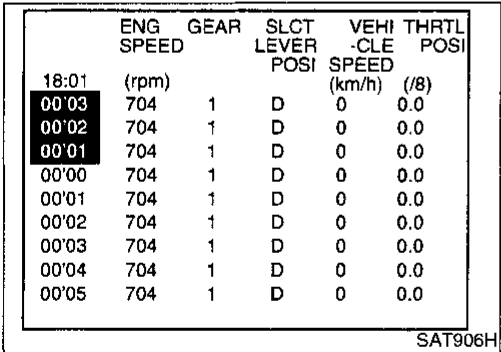


15. Touch "PRINT" again.



16. Check the monitor data printed out.

17. Continue cruise test part 2 and 3.



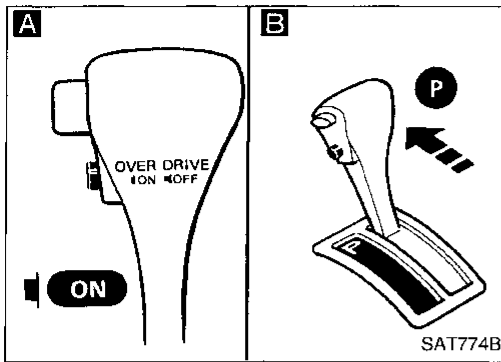
Without CONSULT

- Throttle position can be checked by voltage across terminals ③④ and ③⑤ of A/T control unit.

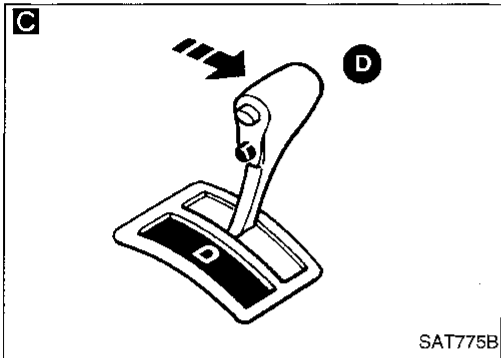
TROUBLE DIAGNOSIS — Basic Inspection

Road Test (Cont'd)

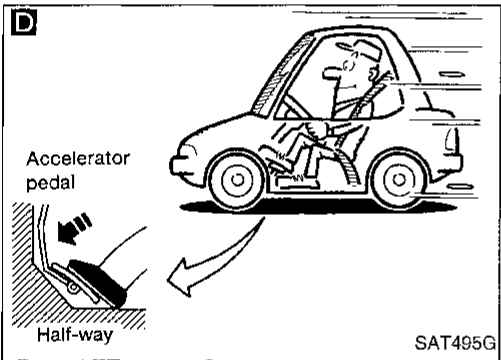
CRUISE TEST — Part 1



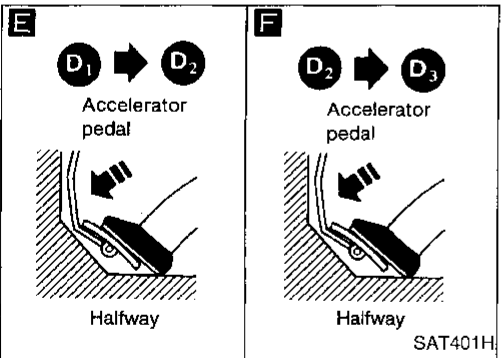
SAT774B



SAT775B



SAT495G



SAT401H

1. Drive vehicle for approx. 10 minutes to warm engine oil and ATF up to operating temperature.
ATF operating temperature:
50 - 80°C (122 - 176°F)

1. Park vehicle on flat surface.
2. Set overdrive control switch to "ON" position.
3. Move selector lever to "P" position.
4. Start engine.

C Move selector lever to "D" position.

D Accelerate vehicle by constantly depressing accelerator pedal halfway.

Does vehicle start from D₁?

Read gear position.

No → Go to "8. Vehicle Cannot Be Started From D₁", AT-116.

Yes

E Does A/T shift from D₁ to D₂ at the specified speed?

Read gear position, throttle opening and vehicle speed.

Specified speed when shifting from D₁ to D₂:
Refer to Shift schedule, AT-49.

No → Go to "9. A/T Does Not Shift: D₁ → D₂ Or Does Not Kickdown: D₄ → D₂", AT-117.

Yes

F Does A/T shift from D₂ to D₃ at the specified speed?

Read gear position, throttle position and vehicle speed.

Specified speed when shifting from D₂ to D₃:
Refer to Shift schedule, AT-49.

No → Go to "10. A/T Does Not Shift: D₂ → D₃", AT-118.

Yes

A

GI

MA

EM

LC

EC

FE

CL

MT

AT

FA

RA

BR

ST

RS

BT

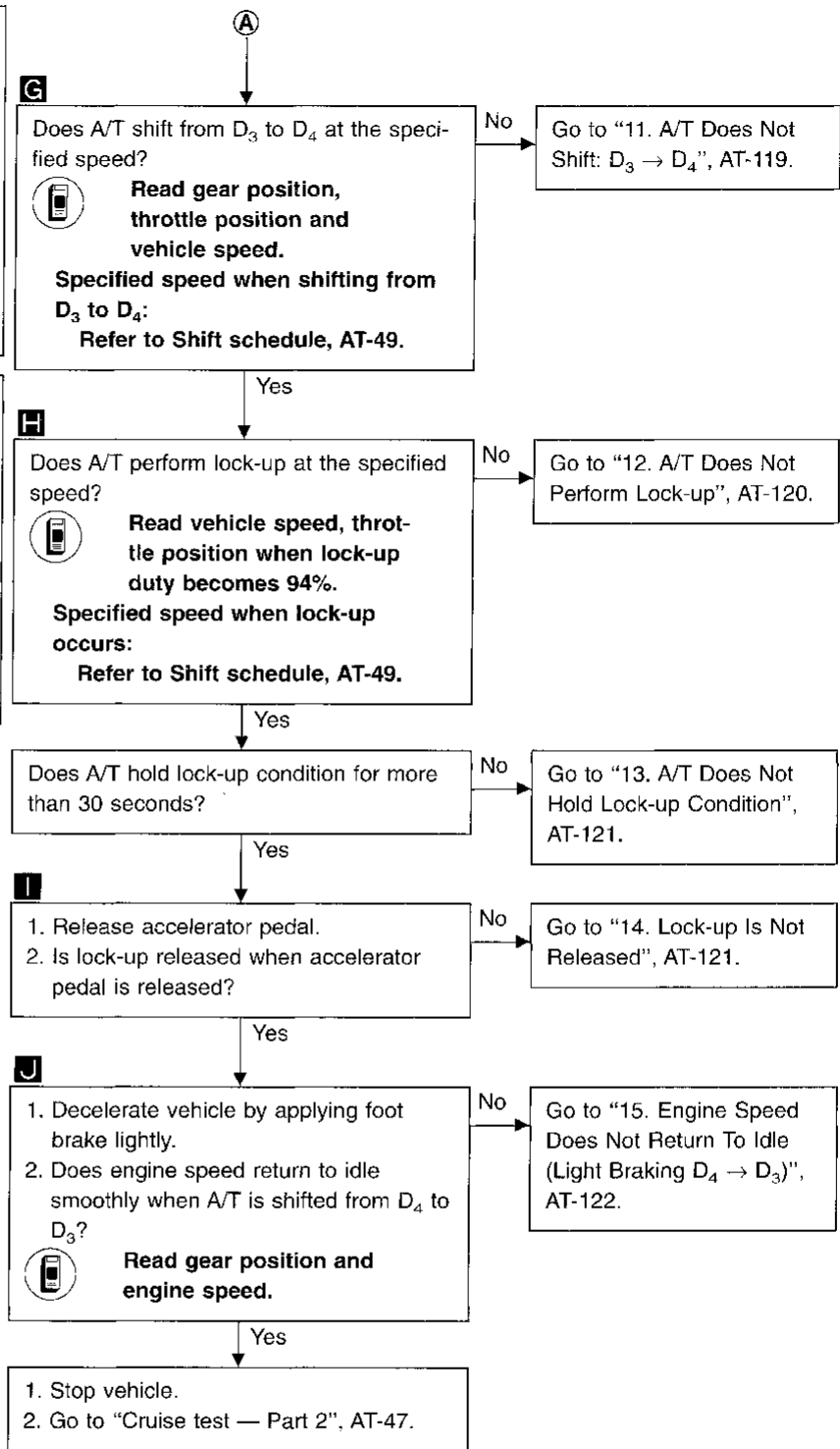
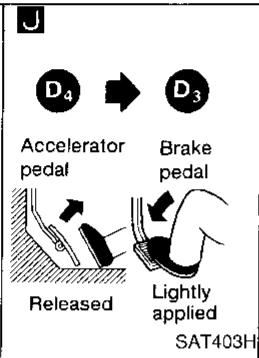
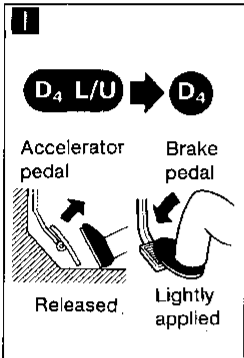
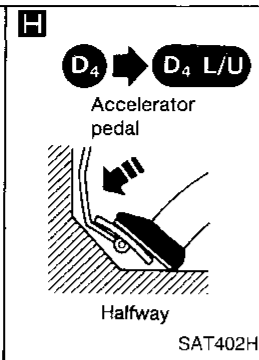
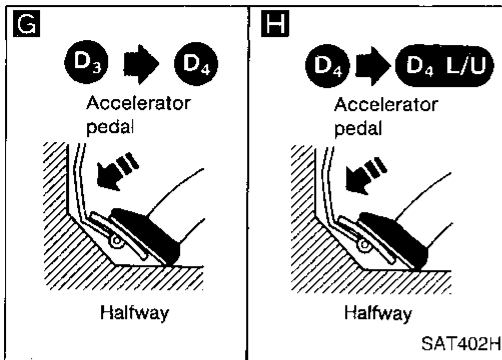
HA

EL

IDX

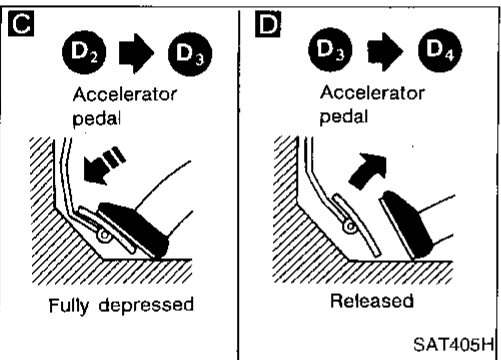
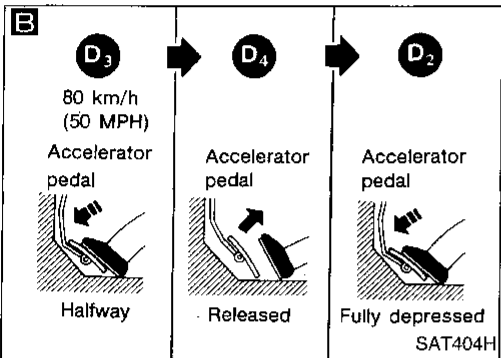
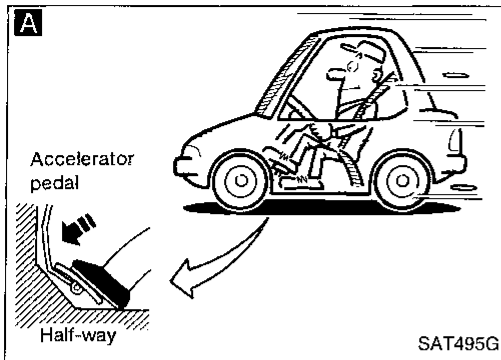
TROUBLE DIAGNOSIS — Basic Inspection

Road Test (Cont'd)



Road Test (Cont'd)

CRUISE TEST — Part 2



1. Confirm overdrive control switch is in "ON" position.
2. Confirm selector lever is in "D" position.

A

1. Accelerate vehicle by half throttle again.
2. Does vehicle start from D₁?

Read gear position.

No → Go to "16. Vehicle Does Not Start From D₁", AT-123.

Yes →

B

1. Accelerate vehicle to 80 km/h (50 MPH) as shown in illustration.
2. Release accelerator pedal and then quickly depress it fully.
3. Does A/T shift from D₄ to D₂ as soon as accelerator pedal is depressed fully?

Read gear position and throttle position.

No → Go to "9. A/T Does Not Shift: D₄ → D₂ Or Does Not Kickdown: D₄ → D₂", AT-117.

Yes →

C

Does A/T shift from D₂ to D₃ at the specified speed?

Read gear position, throttle position and vehicle speed.

Specified speed when shifting from D₂ to D₃:
Refer to Shift schedule, AT-49.

No → Go to "10. A/T Does Not Shift: D₂ → D₃", AT-118.

Yes →

D

Release accelerator pedal after shifting from D₂ to D₃. Does A/T shift from D₃ to D₄ and does vehicle decelerate by engine brake?

Read gear position, throttle position and vehicle speed.

No → Go to "11. A/T Does Not Shift: D₃ → D₄", AT-119.

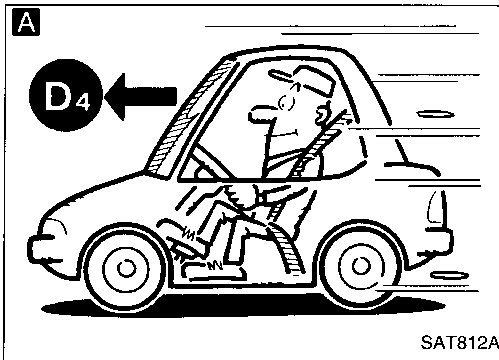
Yes →

1. Stop vehicle.
2. Go to "Cruise test — Part 3", AT-48.

GI
MA
EM
LC
EC
FE
CL
MT
AT
FA
RA
BR
ST
RS
BT
HA
EL
IDX

Road Test (Cont'd)

CRUISE TEST — Part 3



1. Confirm overdrive control switch is in "ON" position.
2. Confirm selector lever is in "D" position.

A
Accelerate vehicle using half-throttle to D₄.

B
Release accelerator pedal.

C
Set overdrive control switch to "OFF" position while driving in D₄.

D
Does A/T shift from D₄ to D₃ (O/D OFF)?
Read gear position and vehicle speed.

No
Go to "17. A/T Does Not Shift: D₄ → D₃, When Overdrive Control Switch "ON" → "OFF", AT-123.

E
Does vehicle decelerate by engine brake?
Yes

No
Go to "15. Engine Speed Does Not Return To Idle (Light Braking D₄ → D₃)", AT-122.

F
Move selector lever from "D" to "2" position while driving in D₃ (O/D OFF).

G
Does A/T shift from D₃ (O/D OFF) to 2₂?
Read gear position.

No
Go to "18. A/T Does Not Shift: D₃ → D₂, When Selector Lever "D" → "2" Position", AT-124.

H
Does vehicle decelerate by engine brake?
Yes

No
Go to "15. Engine Speed Does Not Return To Idle (Light Braking D₄ → D₃)", AT-122.

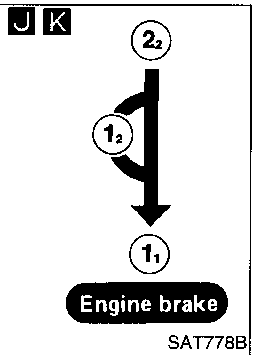
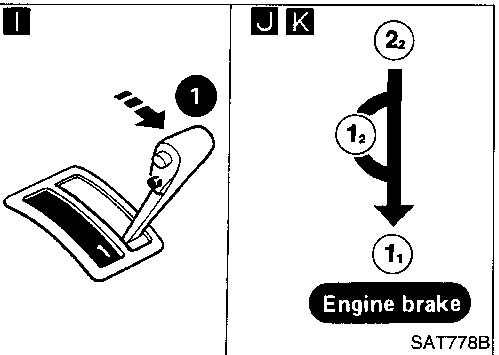
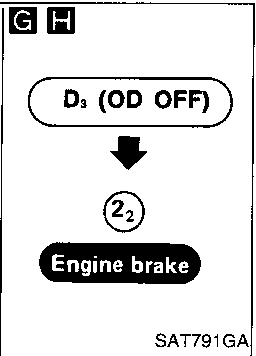
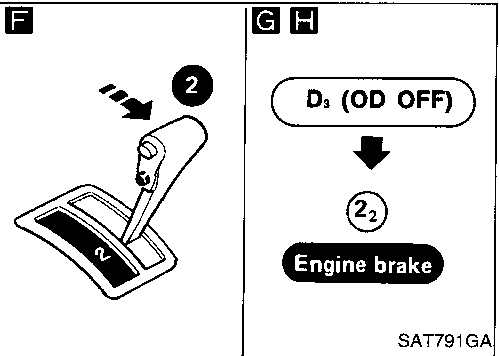
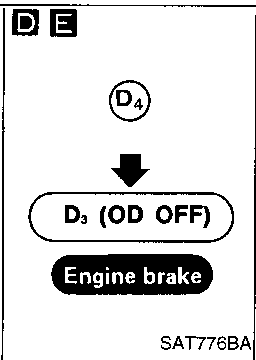
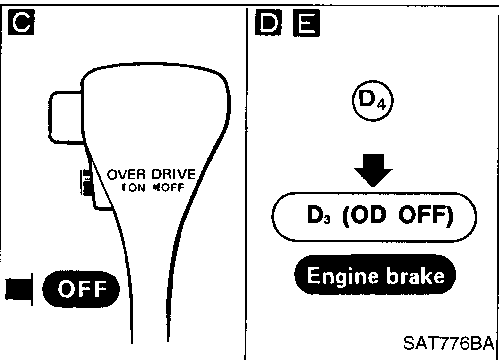
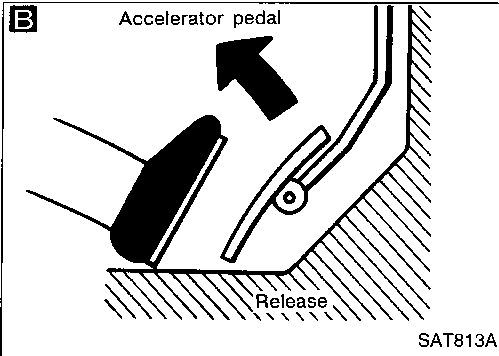
I J
1. Move selector lever from "2" to "1" position while driving in 2₂.
2. Does A/T shift from 2₂ to 1₁ position?
Read gear position.

No
Go to "19. A/T Does Not Shift: 2₂ → 1₁, When Selector Lever "2" → "1" Position", AT-124.

K
Does vehicle decelerate by engine brake?
Yes

No
Go to "20. Vehicle Does Not Decelerate By Engine Brake", AT-125.

1. Stop vehicle.
2. Perform self-diagnosis. Refer to SELF-DIAGNOSTIC PROCEDURE, AT-26.



TROUBLE DIAGNOSIS — Basic Inspection

Shift Schedule

VEHICLE SPEED WHEN SHIFTING GEARS

Throttle position	Shift pattern	Vehicle speed km/h (MPH)						
		D ₁ → D ₂	D ₂ → D ₃	D ₃ → D ₄	D ₄ → D ₃	D ₃ → D ₂	D ₂ → D ₁	1 ₂ → 1 ₁
Full throttle	Comfort	61 - 69 (38 - 43)	113 - 121 (70 - 75)	177 - 185 (110 - 115)	173 - 181 (108 - 112)	103 - 111 (64 - 69)	54 - 62 (34 - 39)	61 - 69 (38 - 43)
	Auto power	61 - 69 (38 - 43)	113 - 121 (70 - 75)	177 - 185 (110 - 115)	173 - 181 (108 - 112)	103 - 111 (64 - 69)	54 - 62 (34 - 39)	61 - 69 (38 - 43)
Half throttle	Comfort	39 - 47 (24 - 29)	73 - 81 (45 - 50)	113 - 121 (70 - 75)	79 - 87 (49 - 54)	36 - 44 (22 - 27)	5 - 13 (3 - 8)	61 - 69 (38 - 43)
	Auto power	46 - 54 (29 - 34)	85 - 93 (53 - 58)	134 - 142 (83 - 88)	85 - 93 (53 - 58)	51 - 59 (32 - 37)	5 - 13 (3 - 8)	61 - 69 (38 - 43)

VEHICLE SPEED WHEN PERFORMING LOCK-UP (Reference value)

Model code No.		80X17	80X18
Vehicle speed	km/h (MPH)	49 - 65 (30 - 40)	

- Note:
- Lock-up vehicle speed indicates the speed in D₄ position.
 - Make sure that lock-up is released under the following conditions:
Throttle opening 0/8
Vehicle speed is less than 120 km/h (75 MPH).
 - Perform lock-up inspection after warming up engine.
 - Lock-up vehicle speed may vary depending on the driving conditions and circumstances.

GI

MA

EM

LC

EC

FE

CL

MT

AT

FA

RA

BR

ST

RS

BT

HA

EL

IDX

TROUBLE DIAGNOSIS — General Description

Diagnostic Trouble Code (DTC) Chart

A/T RELATED ITEMS

Diagnostic trouble code No.*4		Detected items (Screen terms for CONSULT, "SELF-DIAG RESULTS" mode)	Malfunction is detected when ...
CONSULT GST	ECM*3		
P0705	1101	Inhibitor switch circuit (INHIBITOR SWITCH)	• A/T control unit does not receive the correct voltage signal from the switch based on the gear position.
P0710	1208	A/T fluid temperature sensor (FLUID TEMP SENSOR)	• A/T control unit receives an excessively low or high voltage from the sensor.
P0720	1102	Revolution sensor (VHCL SPEED SEN-A/T)	• A/T control unit does not receive the proper voltage signal from the sensor.
P0725	1207	Engine speed signal (ENGINE SPEED SIG)	• A/T control unit does not receive the proper voltage signal from the ECM.
P0731	1103	Improper shifting to 1st gear position (A/T 1ST SIGNAL)	• A/T cannot be shifted to the 1st gear position even if electrical circuit is good.
P0732	1104	Improper shifting to 2nd gear position (A/T 2ND SIGNAL)	• A/T cannot be shifted to the 2nd gear position even if electrical circuit is good.
P0733	1105	Improper shifting to 3rd gear position (A/T 3RD SIGNAL)	• A/T cannot be shifted to the 3rd gear position even if electrical circuit is good.
P0734	1106	Improper shifting to 4th gear position (A/T 4TH SIGNAL OR TCC*5)	• A/T cannot be shifted to the 4th gear position even if electrical circuit is good.
P0740	1204	T/C clutch solenoid valve (TOR CONV CLUTCH SV)	• A/T control unit detects an improper voltage drop when it tries to operate the solenoid valve.
P0744	1107	Improper lock-up operation (A/T TCC SIGNAL)	• A/T cannot perform lock-up even if electrical circuit is good.
P0745	1205	Line pressure solenoid valve (LINE PRESSURE S/V)	• A/T control unit detects an improper voltage drop when it tries to operate the solenoid valve.
P0750	1108	Shift solenoid valve A (SHIFT SOLENOID/V A)	• A/T control unit detects an improper voltage drop when it tries to operate the solenoid valve.
P0755	1201	Shift solenoid valve B (SHIFT SOLENOID/V B)	• A/T control unit detects an improper voltage drop when it tries to operate the solenoid valve.
P1705	1206	Throttle position sensor Throttle position switch (THRTL POSI SEN-A/T)	• A/T control unit receives an excessively low or high voltage from the sensor.
P1760	1203	Overrun clutch solenoid valve (OVERRUN CLUTCH S/V)	• A/T control unit detects an improper voltage drop when it tries to operate the solenoid valve.

*1: DRIVING pattern 1-6 means as follows:

- Pattern 1 should meet b and c.
- Pattern 2 should meet a and c.
- Pattern 3 should meet a through e.
- Pattern 4 should meet a and b.
- Pattern 5 should meet a through c.
- Pattern 6 should meet a through d.

*3: In Diagnostic Test Mode II (Self-diagnostic results)

*4: 1st trip DTC No. is the same as DTC No.

*5: Although "A/T 4TH SIGNAL OR TCC" is shown as a self-diagnostic result for P0734 with CONSULT, malfunction is present at 4th speed only.

a: Selector lever is in "D" position.

b: Vehicle speed is over 10 km/h (6 MPH).

c: Throttle opening is over 1/8.

d: Engine speed is over 450 rpm.

e: A/T fluid temperature is 20 - 120°C (68 - 248°F).

TROUBLE DIAGNOSIS — General Description

Diagnostic Trouble Code (DTC) Chart (Cont'd)

X: Applicable
—: Not applicable

Check Items (Possible Cause)	“DTC CONFIRMATION PROCEDURE” Quick Ref. *1	“OVERALL FUNCTION CHECK” Quick Ref. *2	Fail Safe System	MIL Illumination *8	Reference Page	
<ul style="list-style-type: none"> • Harness or connectors (The switch circuit is open or shorted.) • Inhibitor switch 	DRIVING (pattern 1)	—	—	2 trip	AT-59	MA
<ul style="list-style-type: none"> • Harness or connectors (The sensor circuit is open or shorted.) • A/T fluid temperature sensor 	DRIVING (pattern 6)	—	X	2 trip	AT-65	EM
<ul style="list-style-type: none"> • Harness or connectors (The sensor circuit is open or shorted.) • Revolution sensor 	DRIVING (pattern 2)	—	X*7	2 trip*3	AT-68	LC
<ul style="list-style-type: none"> • Harness or connectors (The signal circuit is open or shorted.) 	DRIVING (pattern 5)	—	X*7	2 trip*3	AT-70	EC
<ul style="list-style-type: none"> • Shift solenoid valve A • Shift solenoid valve B • Overrun clutch solenoid valve • Line pressure solenoid valve • Each clutch • Hydraulic control circuit 	DRIVING (pattern 3)	—	—	2 trip	AT-72	FE
					AT-75	CL
					AT-78	MT
					AT-81	AT
<ul style="list-style-type: none"> • Harness or connectors (The solenoid circuit is open or shorted.) • T/C clutch solenoid valve 	IGN: ON	—	X	2 trip	AT-86	FA
<ul style="list-style-type: none"> • T/C clutch solenoid valve • Each clutch • Hydraulic control circuit 	DRIVING (pattern 3)	—	—	2 trip	AT-89	RA
<ul style="list-style-type: none"> • Harness or connectors (The solenoid circuit is open or shorted.) • Line pressure solenoid valve 	IGN: ON	—	X	2 trip	AT-94	BR
<ul style="list-style-type: none"> • Harness or connectors (The solenoid circuit is open or shorted.) • Shift solenoid valve A 	IGN: ON	—	X*7	1 trip	AT-97	ST
<ul style="list-style-type: none"> • Harness or connectors (The solenoid circuit is open or shorted.) • Shift solenoid valve B 	IGN: ON	—	X*7	1 trip	AT-100	RS
<ul style="list-style-type: none"> • Harness or connectors (The sensor circuit is open or shorted.) • Throttle position sensor • Throttle position switch 	DRIVING (pattern 4)	—	X*7	1 trip	AT-103	BT
<ul style="list-style-type: none"> • Harness or connectors (The solenoid circuit is open or shorted.) • Overrun clutch solenoid valve 	IGN: ON	—	X	2 trip	AT-105	HA

*1: • This is Quick Reference of “DTC CONFIRMATION PROCEDURE”.

Details are described in each TROUBLE DIAGNOSIS FOR DTC PXXXX.

*2: • The “OVERALL FUNCTION CHECK” is a simplified and effective way to inspect a component or circuit.

In some cases, the “OVERALL FUNCTION CHECK” is used rather than a “DIAGNOSTIC TROUBLE CODE CONFIRMATION PROCEDURE”.

When no DTC CONFIRMATION PROCEDURE is available, the “NG” result of the OVERALL FUNCTION CHECK can be considered to mean the same as a DTC detection.

• During an “NG” OVERALL FUNCTION CHECK, the DTC or 1st trip DTC might not be confirmed.

• This is Quick Reference of “OVERALL FUNCTION CHECK”.

Details are described in each TROUBLE DIAGNOSIS FOR DTC PXXXX.

*7: • When the fail-safe operation occurs, the MIL illuminates immediately.

*8: • The MIL illuminates after A/T control unit enters the fail-safe mode in two consecutive trips, if both the “Revolution sensor” and the “Engine speed signal” meet the fail-safe condition at the same time.

TROUBLE DIAGNOSIS — General Description

Symptom Chart

Reference page (AT-)		ON vehicle									OFF vehicle																					
		39, 140	139	68, 108, 70	129	138, 97	100, 94	86, 105	65, 138	138	148, 164	182, 185	189, 199	189	195, 206	—																
Reference page (AT-)		Fluid level	Control cable	Inhibitor switch	Throttle position sensor (Adjustment)	Revolution sensor and vehicle speed sensor	Engine speed signal	Engine idling rpm	Line pressure	Control valve assembly	Shift solenoid valve A	Shift solenoid valve B	Line pressure solenoid valve	Torque converter clutch solenoid valve	Overrun clutch solenoid valve	A/T fluid temperature sensor	Accumulator N-D	Accumulator servo release	Ignition switch and starter	Torque converter	Oil pump	Reverse clutch	High clutch	Forward clutch	Forward one-way clutch	Overrun clutch	Low one-way clutch	Low & reverse brake	Brake band	Parking components		
111	Engine does not start in "N", "P" positions.	2	3														1															
111	Engine starts in positions other than "N" and "P".	1	2																													
—	Transaxle noise in "P" and "N" positions.	1		3	4	5		2												7	6											
111	Vehicle moves when changing into "P" position or parking gear does not disengage when shifted out of "P" position.	1																												2		
112	Vehicle runs in "N" position.	1																				3		2		4						
114	Vehicle will not run in "R" position (but runs in "D", "2" and "1" positions). Clutch slips. Very poor acceleration.	1						2	4			3										5	6	7		8		9				
—	Vehicle braked when shifting into "R" position.	1	2					3	5			4											6	8		9				7		
—	Sharp shock in shifting from "N" to "D" position.			2		5	1	3	7			6			4	8								9								
—	Vehicle will not run in "D" and "2" positions (but runs in "1" and "R" positions).	1																									2					
115	Vehicle will not run in "D", "1", "2" positions (but runs in "R" position). Clutch slips. Very poor acceleration.	1						2	4			3					5						6	7	8	9		10				
—	Clutches or brakes slip somewhat in starting.	1	2		3			4	6			5					7				12	11	9		8				10			
—	Excessive creep.						1																									
114, 115	No creep at all.	1						2	3												6	5			4							
—	Failure to change gear from "D ₁ " to "D ₂ ".	2	1		5			4	3																					6		
—	Failure to change gear from "D ₂ " to "D ₃ ".	2	1		5			4	3														6							7		
—	Failure to change gear from "D ₃ " to "D ₄ ".	2	1		4				3						5															6		
117, 118, 119	Too high a gear change point from "D ₁ " to "D ₂ ", from "D ₂ " to "D ₃ ", from "D ₃ " to "D ₄ ".			1	2					3	4																					
—	Gear change directly from "D ₁ " to "D ₃ " occurs.	1															2													3		
—	Engine stops when shifting lever into "R", "D", "2" and "1".						1		3				2								4											
—	Too sharp a shock in change from "D ₁ " to "D ₂ ".			1				2	4						5		3													6		
—	Too sharp a shock in change from "D ₂ " to "D ₃ ".			1				2	3														4							5		

TROUBLE DIAGNOSIS — General Description

Symptom Chart (Cont'd)

Reference page (AT-)		ON vehicle									OFF vehicle																			
		39, 140	139	68, 108, 70,	129	138, 97	100, 94	86, 105	65, 138	138	148, 164	182, 185	189, 199	189	195, 206	—														
Reference page (AT-)	Numbers are arranged in order of probability. Perform inspections starting with number one and work up. Circled numbers indicate that the transaxle must be removed from the vehicle.	Fluid level	Control cable	Inhibitor switch	Throttle position sensor (Adjustment)	Revolution sensor and vehicle speed sensor	Engine speed signal	Engine idling rpm	Line pressure	Control valve assembly	Shift solenoid valve A	Shift solenoid valve B	Line pressure solenoid valve	Torque converter clutch solenoid valve	Overrun clutch solenoid valve	A/T fluid temperature sensor	Accumulator N-D	Accumulator servo release	Ignition switch and starter	Torque converter	Oil pump	Reverse clutch	High clutch	Forward clutch	Forward one-way clutch	Overrun clutch	Low one-way clutch	Low & reverse brake	Brake band	Parking components
		—	Too sharp a shock in change from "D ₃ " to "D ₄ ".	.	.	1	.	.	2	3	⑤	.	.	④
—	Almost no shock or clutches slipping in change from "D ₁ " to "D ₂ ".	1	.	2	.	.	3	5	4	⑥	.	
—	Almost no shock or slipping in change from "D ₂ " to "D ₃ ".	1	.	2	.	.	3	4	⑤	⑥	.	
—	Almost no shock or slipping in change from "D ₃ " to "D ₄ ".	1	.	2	.	.	3	4	⑤	⑥	.	
—	Vehicle braked by gear change from "D ₁ " to "D ₂ ".	1	②	④	.	.	.	⑤	③	.	
—	Vehicle braked by gear change from "D ₂ " to "D ₃ ".	1	②	.	
—	Vehicle braked by gear change from "D ₃ " to "D ₄ ".	1	④	.	③	②	.	.	.	
—	Maximum speed not attained. Acceleration poor.	1	.	2	.	.	.	5	3	4	⑪	⑩	⑥	⑦	.	.	.	⑨	⑧		
—	Failure to change gear from "D ₄ " to "D ₃ ".	1	.	2	.	.	.	6	4	5	.	3	⑧	.	⑦	.		
—	Failure to change gear from "D ₃ " to "D ₂ " or from "D ₄ " to "D ₂ ".	1	.	2	.	.	.	5	3	4	⑥	.	.	.	⑦	.		
—	Failure to change gear from "D ₂ " to "D ₁ " or from "D ₃ " to "D ₁ ".	1	.	2	.	.	.	5	3	4	⑦	.	.	⑥	.	⑧		
—	Gear change shock felt during deceleration by releasing accelerator pedal.	.	.	1	.	.	2	4	3		
—	Too high a change point from "D ₄ " to "D ₃ ", from "D ₃ " to "D ₂ ", from "D ₂ " to "D ₁ ".	.	.	1	2		
—	Kickdown does not operate when depressing pedal in "D ₄ " within kickdown vehicle speed.	.	.	1	2	.	.	.	3	4		
—	Kickdown operates or engine overruns when depressing pedal in "D ₄ " beyond kickdown vehicle speed limit.	.	.	2	1	.	.	.	3	4		
—	Races extremely fast or slips in changing from "D ₄ " to "D ₃ " when depressing pedal.	1	.	2	.	.	3	5	.	4	⑥	⑦		
—	Races extremely fast or slips in changing from "D ₄ " to "D ₂ " when depressing pedal.	1	.	2	.	.	3	6	5	4	⑧	.	.	⑦	.		
—	Races extremely fast or slips in changing from "D ₃ " to "D ₂ " when depressing pedal.	1	.	2	.	.	3	5	.	4	.	.	6	⑨	⑧	.	.	⑦	.		
—	Races extremely fast or slips in changing from "D ₄ " or "D ₃ " to "D ₁ " when depressing pedal.	1	.	2	.	.	3	5	.	4	⑥	⑦	.	⑧	.		
—	Vehicle will not run in any position.	1	2	.	.	.	3	.	.	4	⑨	⑤	.	⑥	.	.	.	⑧	⑦	⑩	
—	Transaxle noise in "D", "2", "1" and "R" positions.	1	②		

GI
 MA
 EM
 LC
 EC
 FE
 CL
 MT
AT
 FA
 RA
 BR
 ST
 RS
 BT
 HA
 EL
 IDX












TROUBLE DIAGNOSIS — General Description

Symptom Chart (Cont'd)

Reference page (AT-)		ON vehicle									OFF vehicle																						
		39, 140	139	68, 108, 70,	129	138, 97	100, 94	86, 105	65, 138	138	148, 164	182, 185	189, 199	189	195, 206	—																	
Reference page (AT-)		Fluid level	Control cable	Inhibitor switch	Throttle position sensor (Adjustment)	Revolution sensor and vehicle speed sensor	Engine speed signal	Engine idling rpm	Line pressure	Control valve assembly	Shift solenoid valve A	Shift solenoid valve B	Line pressure solenoid valve	Torque converter clutch solenoid valve	Overrun clutch solenoid valve	A/T fluid temperature sensor	Accumulator N-D	Accumulator servo release	Ignition switch and starter	Torque converter	Oil pump	Reverse clutch	High clutch	Forward clutch	Forward one-way clutch	Overrun clutch	Low one-way clutch	Low & reverse brake	Brake band	Parking components			
122	Failure to change from "D ₃ " to "2" when changing lever into "2" position.	7	1	2						6	5	4		3																			
—	Gear change from "2" to "2 ₃ " in "2" position.		1																														
123	Engine brake does not operate in "1" position.	2	1	3	4					6	5			7												8		9					
—	Gear change from "1" to "1 ₂ " in "1" position.	2	1																														
—	Does not change from "1 ₂ " to "1" in "1" position.		1		2					4	3			5												6		7					
—	Large shock changing from "1 ₂ " to "1" in "1" position.									1																	2						
—	Transaxle overheats.	1		3			2	4	6			5								14	7	8	9	11		12		13	10				
—	ATF shoots out during operation. White smoke emitted from exhaust pipe during operation.	1																				2	3	5		6		7	4				
—	Offensive smell at fluid charging pipe.	1																		2	3	4	5	7		8		9	6				
—	Torque converter is not locked up.		3	1	2	4		6	8				7	5						9													
—	Torque converter clutch piston slip.	1		2				3	6			5	4							7													
120	Lock-up point is extremely high or low.			1	2					4			3																				
—	A/T does not shift to "D ₄ " when driving with overdrive switch "ON".		2	1	3			8	6	4			5	7												10			9				
—	Engine is stopped at "R", "D", "2" and "1" positions.	1							5	4	3		2																				

TROUBLE DIAGNOSIS — General Description






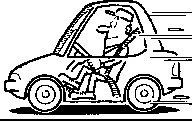


A/T Control Unit Terminals and Reference Value (Cont'd)

Terminal No.	Item	Condition	Judgement standard		
19	Inhibitor "N" or "P" position switch		When setting selector lever to "N" or "P" position.	Battery voltage	GI
			When setting selector lever to other positions.	1V or less	MA
20	Inhibitor "R" position switch		When setting selector lever to "R" position.	Battery voltage	EM
			When setting selector lever to other positions.	1V or less	LC
21	Wide open throttle position switch (in throttle position switch)		When depressing accelerator pedal more than half-way after warming up engine.	Battery voltage	EC
			When releasing accelerator pedal after warming up engine.	1V or less	FE
22	—	—	—	—	
23	Power source (Back-up)	 or 	When turning ignition switch to "OFF".	Battery voltage	CL
			When turning ignition switch to "ON".	Battery voltage	MT
24	Engine speed signal	 	When engine runs at idle speed.	Approximately 0.6V	AT
			When engine runs at 4,000 rpm.	Approximately 2.2V	
25	Revolution sensor (Measure in AC range)		When vehicle cruises at 30 km/h (19 MPH).	1V or more Voltage rises gradually in response to vehicle speed.	FA
			When vehicle parks.	0V	RA
26	—	—	—	—	
27	Vehicle speed sensor		When moving vehicle at 2 to 3 km/h (1 to 2 MPH) for 1 m (3 ft) or more.	Voltage varies between less than 1V and more than 4.5V	BR
28*	—	—	—	—	ST
29*	—		—	—	
30*	—	—	—	—	RS
31	Throttle position sensor (Power source)		—	4.5 - 5.5V	BT
32	—	—	—	—	

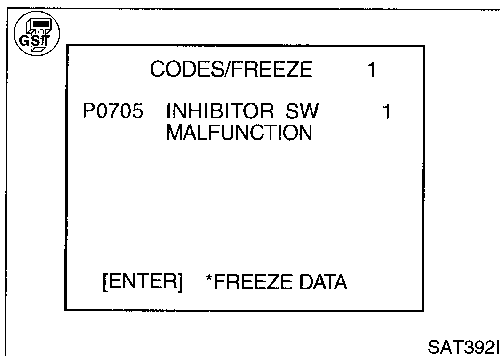
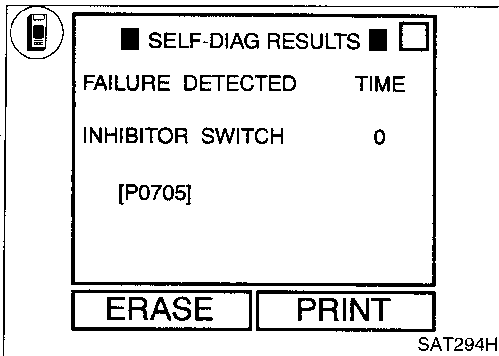
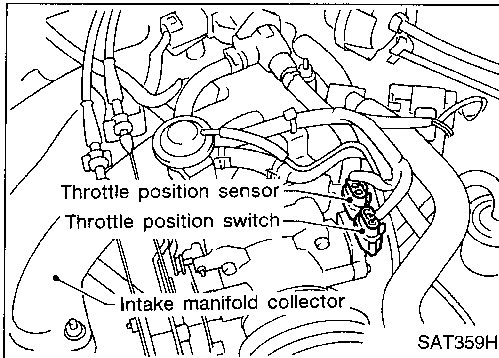
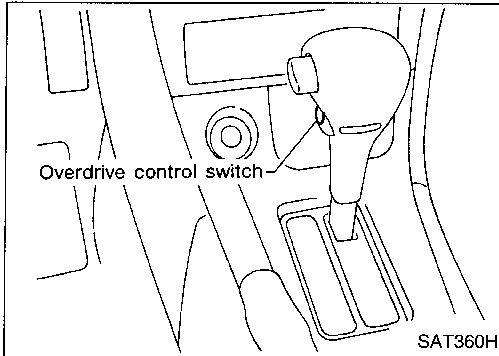
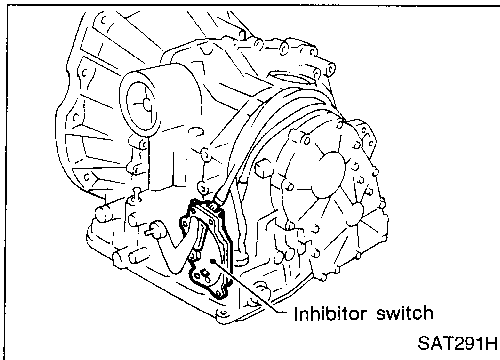
*: These terminals are connected to the Data link connector for CONSULT.

TROUBLE DIAGNOSIS — General Description

A/T Control Unit Terminals and Reference Value (Cont'd)

Terminal No.	Item	Condition		Judgement standard
33	A/T fluid temperature sensor		When ATF temperature is 20°C (68°F).	Approximately 1.5V
			When ATF temperature is 80°C (176°F).	Approximately 0.5V
34	Throttle position sensor		When depressing accelerator pedal slowly after warming up engine. (Voltage rises gradually in response to throttle position.)	Fully-closed throttle: Approximately 0.5V Fully-open throttle: Approximately 4V
35	Throttle position sensor (Ground)		—	—
36	—		—	—
37	ASCD cruise signal		When ASCD cruise is being performed. ("CRUISE" light comes on.)	Battery voltage
			When ASCD cruise is not being performed. ("CRUISE" light does not come on.)	1V or less
38	—	—	—	—
39	Overdrive control switch	 	When setting overdrive control switch in "ON" position	Battery voltage
			When setting overdrive control switch in "OFF" position	1V or less
40	ASCD OD cut signal		When "ACCEL" set switch on ASCD cruise is released.	5 - 8V
			When "ACCEL" set switch on ASCD cruise is applied.	1V or less
41	—		—	—
42	—		—	—
43	—		—	—
44	—		—	—
45*	OBD-II		—	—
46	—		—	—
47*	DT4		—	—
48	Ground		—	—

* This terminal is connected to the ECM (ECCS control module).



Inhibitor, Overdrive Control and Throttle Position Switches

DESCRIPTION

- Inhibitor switch
Detects the selector lever position and sends a signal to the A/T control unit.
- Overdrive control switch
Detects the overdrive control switch position (ON or OFF) and sends a signal to the A/T control unit.
- Throttle position switch
Consists of a wide-open throttle position switch and a closed throttle position switch.
The wide-open position switch sends a signal to the A/T control unit when the throttle valve is open at least 1/2 of the full throttle position. The closed throttle position switch sends a signal to the A/T control unit when the throttle valve is fully closed.

Diagnostic trouble code	Malfunction is detected when ...	Check item (Possible cause)
: INHIBITOR SWITCH	A/T control unit does not receive the correct voltage signal from the switch based on the gear position.	<ul style="list-style-type: none"> • Harness or connectors (The inhibitor switch circuit is open or shorted.) • Inhibitor switch
: P0705		
: MIL Code No. 1101		

Diagnostic trouble code (DTC) confirmation procedure

After the repair, perform the following procedure to confirm the malfunction is eliminated.

- 1) Start engine.
- 2) Select "SELF-DIAG RESULTS" mode for ECM with CONSULT.
- 3) Drive vehicle under the following conditions:
Selector lever in "D", overdrive control switch in "OFF" position, vehicle speed higher than 10 km/h (6 MPH), throttle opening greater than 1/2 of the full throttle position and driving for more than 5 seconds.

OR

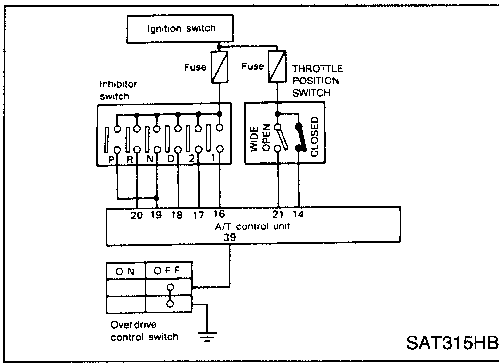
- 1) Start engine.
- 2) Drive vehicle under the following conditions:
Selector lever in "D", overdrive control switch in "OFF" position, vehicle speed higher than 10 km/h (6 MPH), throttle opening greater than 1/2 of the full throttle position and driving for more than 5 seconds.
- 3) Select "MODE 7" with GST.

OR

- 1) Start engine.
- 2) Drive vehicle under the following conditions:
Selector lever in "D", overdrive control switch in "OFF" position, vehicle speed higher than 10 km/h (6 MPH), throttle opening greater than 1/2 of the full throttle position and driving for more than 5 seconds.
- 3) Perform self-diagnosis for ECM.
Refer to EC section ["Malfunction Indicator Lamp (MIL)", "ON BOARD DIAGNOSTIC SYSTEM DESCRIPTION"].

TROUBLE DIAGNOSIS FOR DTC P0705

Inhibitor, Overdrive Control and Throttle Position Switches (Cont'd)

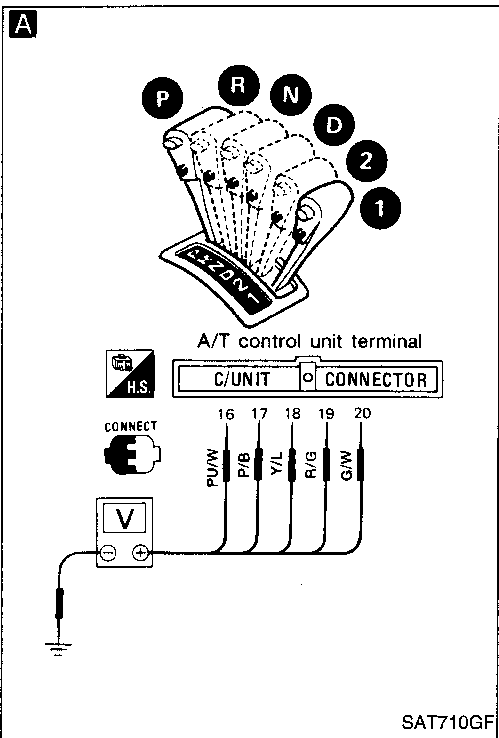


A

☆ MONITOR	☆ NO FAIL	
R POSITION SW	OFF	
D POSITION SW	OFF	
4 POSITION SW	OFF	
3 POSITION SW	OFF	
2 POSITION SW	OFF	
1 POSITION SW	OFF	
ASCD•CRUISE	OFF	
ASCD•OD CUT	OFF	
KICKDOWN SW	OFF	

RECORD

SAT118G



A

CHECK INHIBITOR SWITCH CIRCUIT.

- Turn ignition switch to "ON" position. (Do not start engine.)
- Select "ECU INPUT SIGNALS" in Data Monitor.
- Read out "R, N, D, 1 and 2 position switches" moving selector lever to each position. Check the signal of the selector lever position is indicated properly.

OR

NG

Check the following items:

- Inhibitor switch Refer to "Component Inspection", AT-63.
- Harness for short or open between ignition switch and inhibitor switch (Main harness)
- Harness for short or open between inhibitor switch and A/T control unit (Main harness)

- Turn ignition switch to "ON" position. (Do not start engine.)
- Check voltage between A/T control unit terminals 16, 17, 18, 19, 20 and ground while moving selector lever through each position.

Voltage:
B: Battery voltage
0: 0V

Lever position	Terminal No.				
	19	20	18	17	16
P, N	B	0	0	0	0
R	0	B	0	0	0
D	0	0	B	0	0
2	0	0	0	B	0
1	0	0	0	0	B

OK

A

(Go to next page.)

TROUBLE DIAGNOSIS FOR DTC P0705

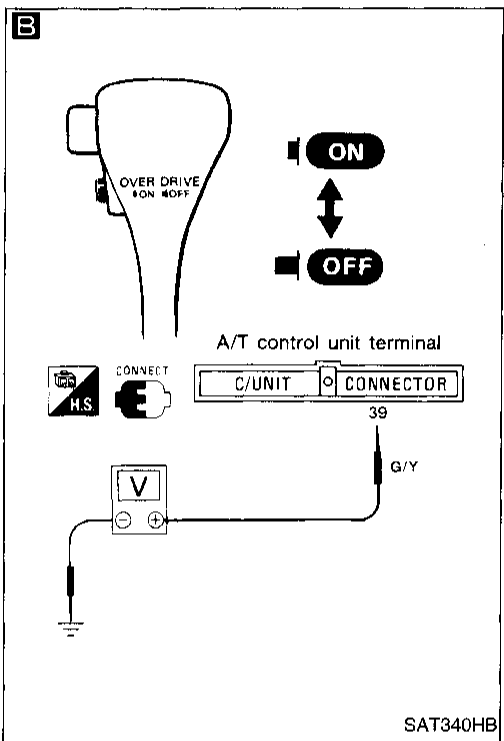
Inhibitor, Overdrive Control and Throttle Position Switches (Cont'd)

B

☆ MONITOR	☆ NO FAIL	<input checked="" type="checkbox"/>
VHCL/S SE-A/T	0km/h	
VHCL/S SE-MTR	5km/h	
THRTL POS SEN	0.4V	
FLUID TEMP SE	1.2V	
BATTERY VOLT	13.4V	
ENGINE SPEED	1024rpm	
OVERDRIVE SW	0 N	
P/N POSI SW	0 N	
R POSITION SW	OFF	

RECORD

SAT076H



B

(A)

CHECK OVERDRIVE CONTROL SWITCH CIRCUIT.

1. Turn ignition switch to "ON" position. (Do not start engine.)

2. Select "ECU INPUT SIGNALS" in Data Monitor.

3. Read out "OVERDRIVE SWITCH".

Check the signal of the overdrive control switch is indicated properly. (Overdrive control switch "ON" displayed on CONSULT means overdrive "OFF".)

OR

1. Turn ignition switch to "ON" position. (Do not start engine.)

2. Check voltage between A/T control unit terminal (39) and ground when overdrive control switch is "ON" and "OFF".

Switch position	Voltage
ON	Battery voltage
OFF	1V or less

NG

Check the following items.

- Overdrive control switch
Refer to "Component Inspection", AT-63.
- Harness for short or open between A/T control unit and overdrive control switch (Main harness)
- Harness for short or open of ground circuit for overdrive control switch (Main harness)

OK

(B)

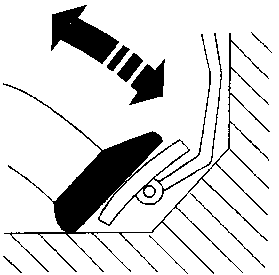
(Go to next page.)

GI
MA
EM
LC
EC
FE
CL
MT
AT
FA
RA
BR
ST
RS
BT
HA
EL
IDX

TROUBLE DIAGNOSIS FOR DTC P0705

Inhibitor, Overdrive Control and Throttle Position Switches (Cont'd)

C

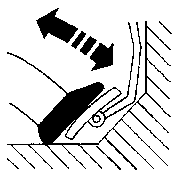
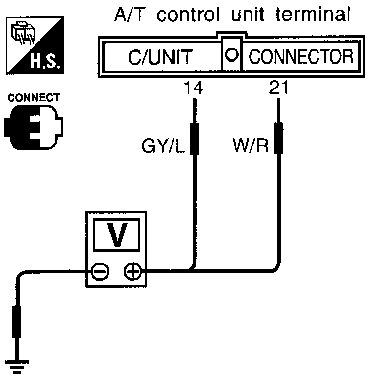


☆ MONITOR	☆ NO FAIL	
POWERSHIFT SW	OFF	
CLOSED THL/SW	ON	
W/O THRL/P-SW	OFF	
HOLD SW	OFF	

RECORD

SAT0521

C

A/T control unit terminal

C/UNIT CONNECTOR

14 GY/L 21 W/R

V

SAT964H

C

CHECK THROTTLE POSITION SWITCH CIRCUIT.



1. Turn ignition switch to "ON" position.
(Do not start engine.)
2. Select "ECU INPUT SIGNALS" in Data Monitor.
3. Read out "CLOSED THL/SW" and "W/O THRL/P-SW" depressing and releasing accelerator pedal.
Check the signal of throttle position switch is indicated properly.

Accelerator pedal condition	Data monitor	
	CLOSED THL/SW	W/O THRL/P-SW
Released	ON	OFF
Fully depressed	OFF	ON

OR



1. Turn ignition switch to "ON" position.
(Do not start engine.)
2. Check voltage between A/T control unit terminals (14), (21) and ground while depressing, and releasing accelerator pedal slowly. (after warming up engine)

Accelerator pedal condition	Voltage	
	Terminal No. (14)	Terminal No. (21)
Released	Battery voltage	1V or less
Fully depressed	1V or less	Battery voltage

OK

Perform Diagnostic Trouble Code (DTC) confirmation procedure, AT-59.

OK

INSPECTION END

NG

Check the following items:

- Throttle position switch
Refer to "Component Inspection", AT-64.
- Harness for short or open between ignition switch and throttle position switch (Main harness)
- Harness for short or open between throttle position switch and A/T control unit (Main harness)

NG

1. Perform A/T control unit input/output signal inspection.
2. If NG, recheck A/T control unit pin terminals for damage or loose connection with harness connector.

TROUBLE DIAGNOSIS FOR DTC P0705

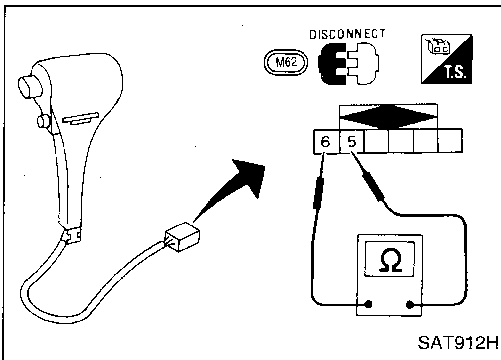
Inhibitor, Overdrive Control and Throttle Position Switches (Cont'd)

COMPONENT INSPECTION

Overdrive control switch

- Check continuity between two terminals.

Switch position	Continuity
ON	No
OFF	Yes

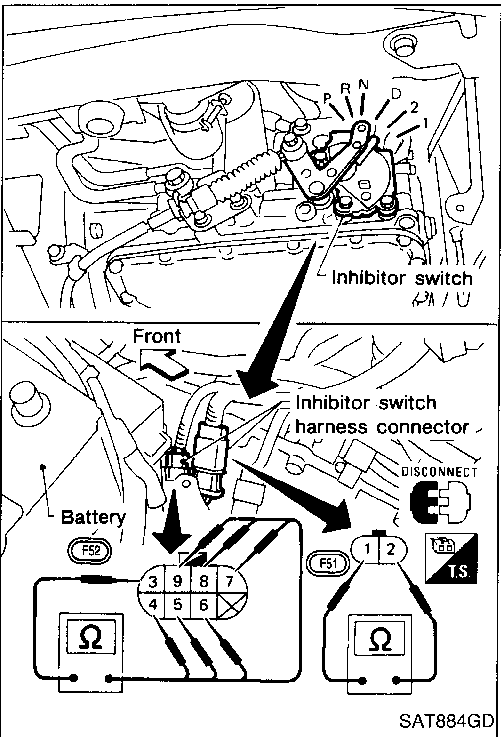


SAT912H

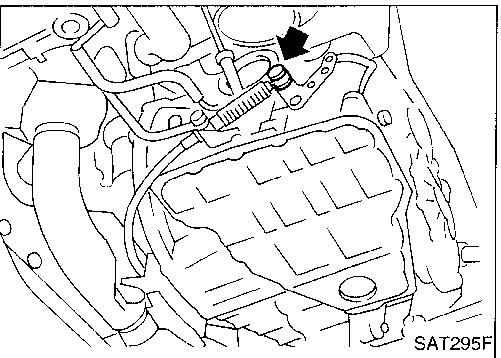
Inhibitor switch

1. Check continuity between terminals ① and ② and between terminals ③ and ④, ⑤, ⑥, ⑦, ⑧, ⑨ while moving manual shaft through each position.

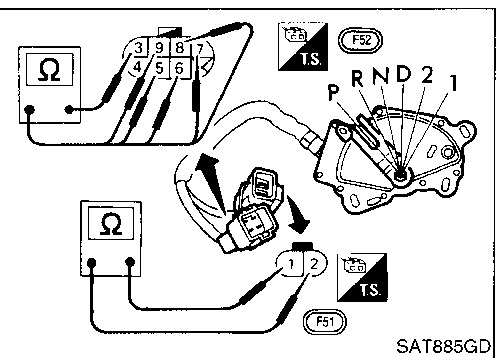
Lever position	Terminal No.	
P	① — ②	③ — ④
R	③ — ⑤	
N	① — ②	③ — ⑥
D	③ — ⑦	
2	③ — ⑧	
1	③ — ⑨	



SAT884GD



SAT295F



SAT885GD

2. If NG, check again with manual control cable disconnected from manual shaft of A/T assembly. Refer to step 1.
3. If OK on step 2, adjust manual control cable. Refer to AT-140.

4. If NG on step 2, remove inhibitor switch from A/T and check continuity of inhibitor switch terminals. Refer to step 1.
5. If OK on step 4, adjust inhibitor switch. Refer to AT-139.
6. If NG on step 4, replace inhibitor switch.

TROUBLE DIAGNOSIS FOR DTC P0705

Inhibitor, Overdrive Control and Throttle Position Switches (Cont'd)

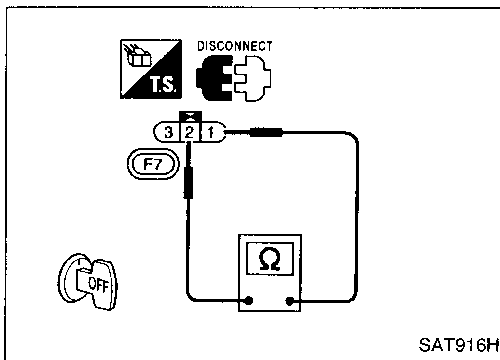
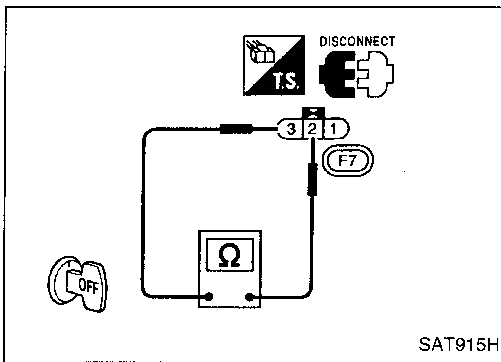
Throttle position switch

Closed throttle position switch (idle position)

- Check continuity between terminals ② and ③.

Accelerator pedal condition	Continuity
Released	Yes
Depressed	No

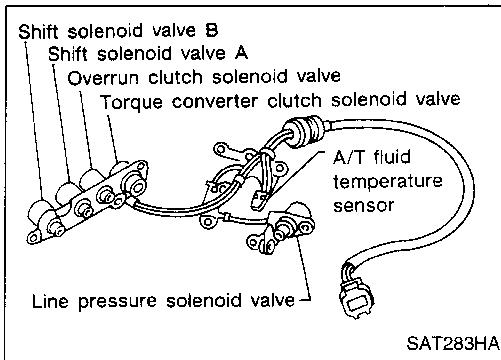
- To adjust closed throttle position switch, refer to EC section ("Basic Inspection", "TROUBLE DIAGNOSIS — Basic Inspection").



Wide open throttle position switch

- Check continuity between terminals ① and ②.

Accelerator pedal condition	Continuity
Released	No
Depressed	Yes

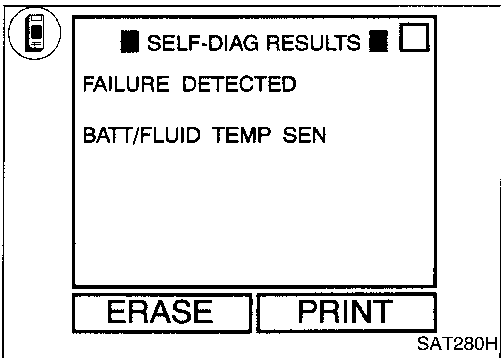


A/T Fluid Temperature Sensor Circuit and A/T Control Unit Power Source

DESCRIPTION

The A/T fluid temperature sensor detects the A/T fluid temperature and sends a signal to the A/T control unit.

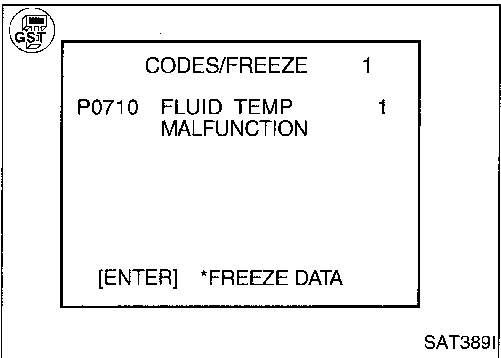
Diagnostic trouble code	Malfunction is detected when ...	Check item (Possible cause)
: BATT/FLUID TEMP	A/T control unit receives an excessively low or high voltage from the sensor.	<ul style="list-style-type: none"> • Harness or connectors (The sensor circuit is open or shorted.) • A/T fluid temperature sensor
: P0710		
: 8th judgement flicker		



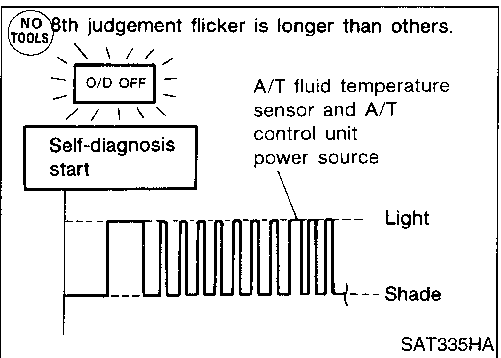
Diagnostic Trouble Code (DTC) confirmation procedure

After the repair, perform the following procedure to confirm the malfunction is eliminated.

- 1) Start engine.
 2) Select "SELF-DIAG RESULTS" mode with CONSULT.
 3) Drive vehicle under the following conditions:
 Selector lever in "D", vehicle speed higher than 10 km/h (6 MPH), throttle opening greater than 1/8 of the full open position, engine speed higher than 450 rpm and driving for more than 10 minutes.



- OR
- 1) Start engine.
 2) Drive vehicle under the following conditions:
 Selector lever in "D", vehicle speed higher than 10 km/h (6 MPH), throttle opening greater than 1/8 of the full open position, engine speed higher than 450 rpm and driving for more than 10 minutes.
 3) Select "MODE 7" with GST.

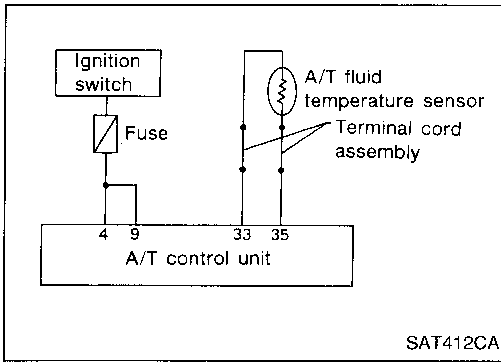


- OR
- 1) Start engine.
 2) Drive vehicle under the following conditions:
 Selector lever in "D", vehicle speed higher than 10 km/h (6 MPH), throttle opening greater than 1/8 of the full open position, engine speed higher than 450 rpm and driving for more than 10 minutes.
 3) Perform self-diagnosis.
 Refer to SELF-DIAGNOSTIC PROCEDURE (No Tools), AT-27.

CI
 MA
 EM
 LC
 EC
 FE
 CL
 MT
 AT
 FA
 RA
 BR
 ST
 RS
 BT
 HA
 EL
 IDX

TROUBLE DIAGNOSIS FOR DTC P0710

A/T Fluid Temperature Sensor Circuit and A/T Control Unit Power Source (Cont'd)



A

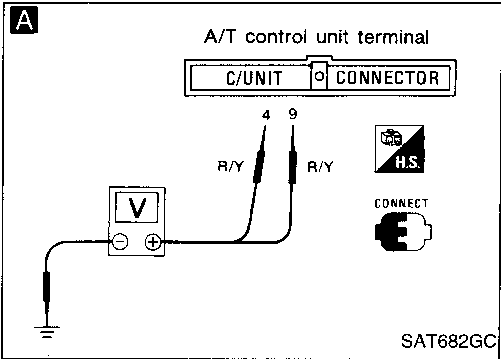
CHECK A/T CONTROL UNIT POWER SOURCE.

1. Turn ignition switch to "ON" position. (Do not start engine.)
2. Check voltage between A/T control unit terminals ④, ⑨ and ground. **Battery voltage should exist.**

NG

Check the following items:

- Harness for short or open between ignition switch and A/T control unit (Main harness)
- Ignition switch and fuse Refer to EL section ("POWER SUPPLY ROUTING").



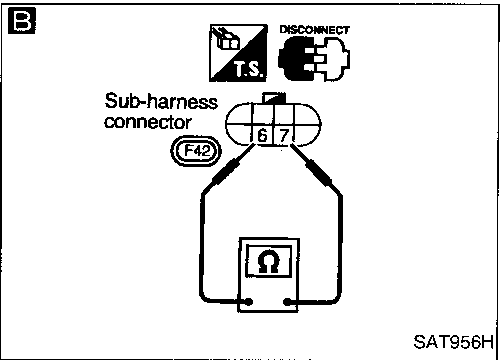
B

CHECK A/T FLUID TEMPERATURE SENSOR WITH TERMINAL CORD ASSEMBLY.

1. Turn ignition switch to "OFF" position.
2. Disconnect terminal cord assembly connector in engine compartment.
3. Check resistance between terminals ⑥ and ⑦ when A/T is cold. **Resistance:**
Cold [20°C (68°F)]
Approximately 2.5 kΩ
4. Reinstall any part removed.

NG

1. Remove oil pan.
2. Check the following items:
 - A/T fluid temperature sensor Refer to "Component Inspection" on next page.
 - Harness of terminal cord assembly for short or open



OK

Ⓐ

(Go to next page.)

TROUBLE DIAGNOSIS FOR DTC P0710

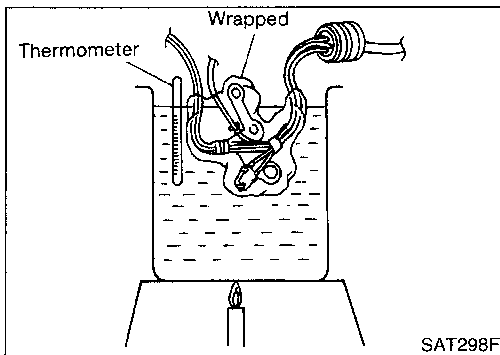
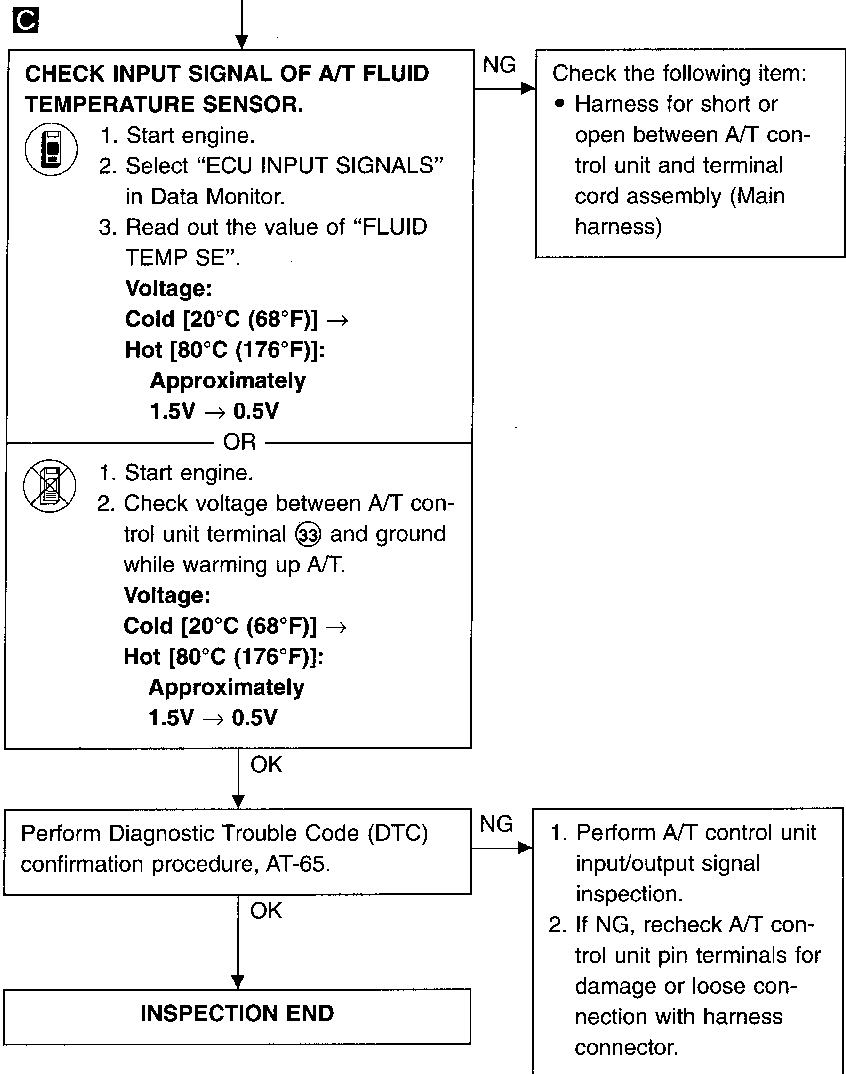
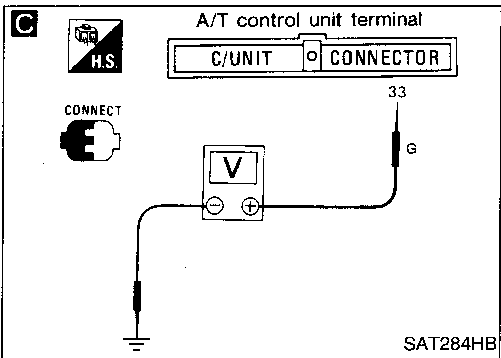
A/T Fluid Temperature Sensor Circuit and A/T Control Unit Power Source (Cont'd)

C

☆ MONITOR	☆ NO FAIL	
VHCL/S SE-A/T	0km/h	
VHCL/S SE-MTR	5km/h	
THRTL POS SEN	0.4V	
FLUID TEMP SE	1.2V	
BATTERY VOLT	13.4V	
ENGINE SPEED	1024rpm	
OVERDRIVE SW	O N	
P/N POSI SW	O N	
R POSITION SW	OFF	

RECORD

SAT076H



COMPONENT INSPECTION

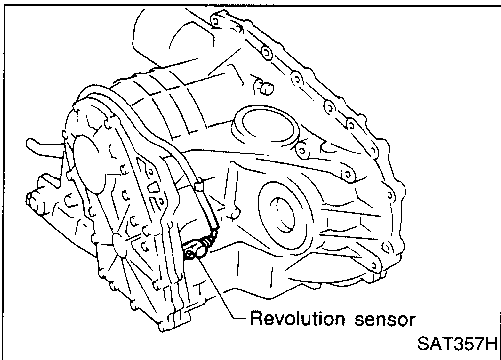
A/T fluid temperature sensor

- For removal, refer to AT-138.
- Check resistance between two terminals while changing temperature as shown at left.

Temperature °C (°F)	Resistance
20 (68)	Approximately 2.5 kΩ
80 (176)	Approximately 0.3 kΩ

GI
MA
EM
LC
EC
FE
CL
MT
AT
FA
RA
BR
ST
RS
BT
HA
EL
IDX
677




TROUBLE DIAGNOSIS FOR DTC P0720

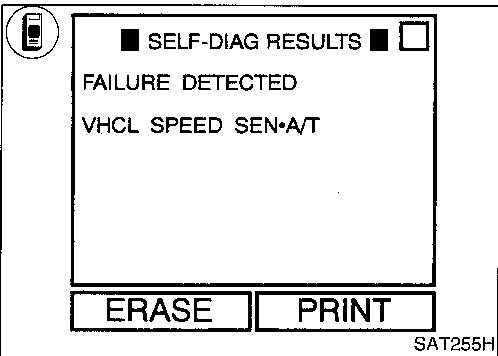


Vehicle Speed Sensor-A/T (Revolution sensor)

DESCRIPTION


The revolution sensor detects the revolution of the idler gear parking pawl lock gear and emits a pulse signal. The pulse signal is sent to the A/T control unit which converts it into vehicle speed.

Diagnostic trouble code	Malfunction is detected when ...	Check item (Possible cause)
 : VHCL SPEED SEN-A/T  : P0720  : 1st judgement flicker	A/T control unit does not receive the proper voltage signal from the sensor.	<ul style="list-style-type: none"> • Harness or connectors (The sensor circuit is open or shorted.) • Revolution sensor




Diagnostic Trouble Code (DTC) confirmation procedure


After the repair, perform the following procedure to confirm the malfunction is eliminated.

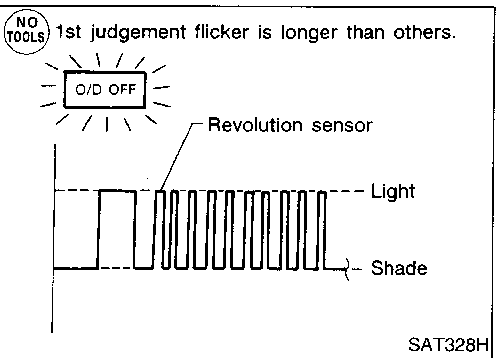
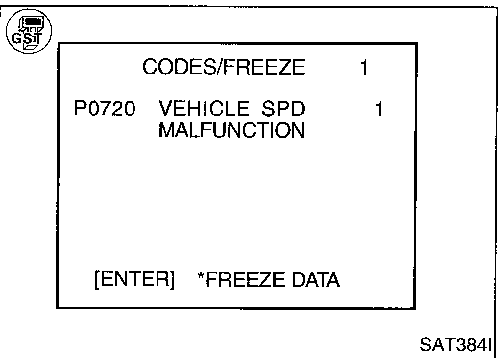
-  1) Start engine.
 2) Select "SELF-DIAG RESULTS" mode with CONSULT.
 3) Drive vehicle under the following conditions:
 Selector lever in "D", vehicle speed higher than 30 km/h (19 MPH), throttle opening greater than 1/8 of the full throttle position and driving for more than 5 seconds.

OR

-  1) Start engine.
 2) Drive vehicle under the following conditions:
 Selector lever in "D", vehicle speed higher than 30 km/h (19 MPH), throttle opening greater than 1/8 of the full throttle position and driving for more than 5 seconds.
 3) Select "MODE 7" with GST.

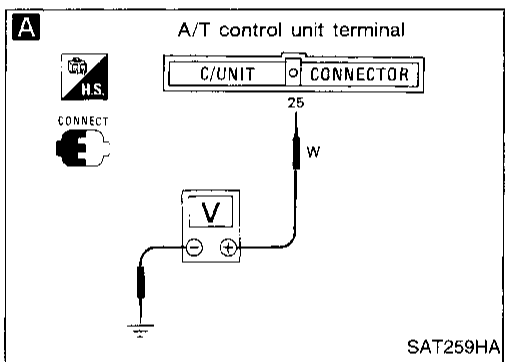
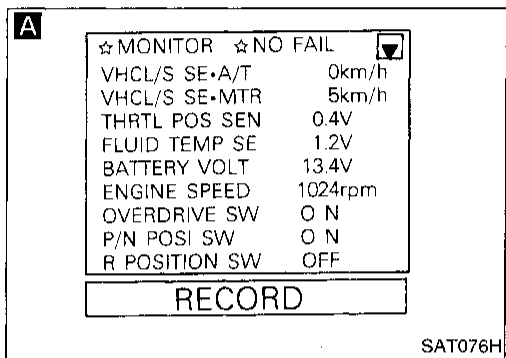
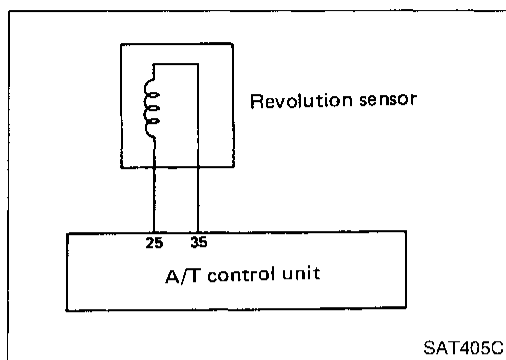
OR

-  1) Start engine.
 2) Drive vehicle under the following conditions:
 Selector lever in "D", vehicle speed higher than 30 km/h (19 MPH), throttle opening greater than 1/8 of the full throttle position and driving for more than 5 seconds.
 3) Perform self-diagnosis.
 Refer to SELF-DIAGNOSTIC PROCEDURE (No Tools), AT-27.



TROUBLE DIAGNOSIS FOR DTC P0720

Vehicle Speed Sensor·A/T (Revolution sensor) (Cont'd)



CHECK REVOLUTION SENSOR.
Refer to "Component Inspection" below.

NG → Repair or replace revolution sensor.

OK ↓

A
CHECK INPUT SIGNAL.

- Start engine.
- Select "ECU INPUT SIGNALS" in Data Monitor.
- Read out the value of "VHCL/S SE·A/T" while driving. Check the value changes according to driving speed.

NG → Check the following items:

- Harness for short or open between A/T control unit and revolution sensor (Main harness)
- Harness for short or open between revolution sensor and ECM (Main harness)
- Ground circuit for ECM Refer to EC section ("TROUBLE DIAGNOSIS FOR POWER SUPPLY").

OR

- Start engine.
- Check voltage between A/T control unit terminal ② and ground while driving. (Measure with AC range.)

Voltage:

At 0 km/h (0 MPH):
0V

At 30 km/h (19 MPH):
1V or more
(Voltage rises gradually in response to vehicle speed.)

OK ↓

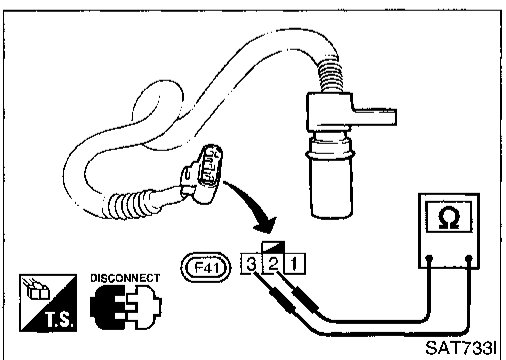
Perform Diagnostic Trouble Code (DTC) confirmation procedure, AT-68.

NG →

- Perform A/T control unit input/output signal inspection.
- If NG, recheck A/T control unit pin terminals for damage or loose connection with harness connector.

OK ↓

INSPECTION END



COMPONENT INSPECTION

Revolution sensor

- For removal, refer to AT-138.
- Check resistance between terminals ② and ③.




Terminal No.		Resistance
②	③	500 - 650Ω

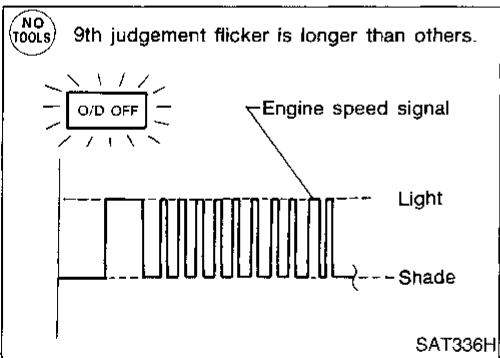
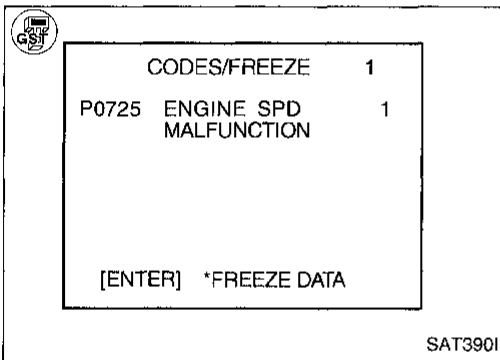
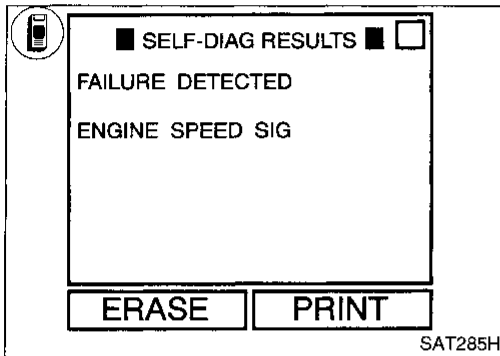
GI
MA
EM
LC
EC
FE
CL
MT
AT
FA
RA
BR
ST
RS
BT
HA
EL
IDX

Engine Speed Signal

DESCRIPTION


The engine speed signal is sent from the ECM to the A/T control unit.

Diagnostic trouble code	Malfunction is detected when ...	Check item (Possible cause)
 : ENGINE SPEED SIG  : P0725  : 9th judgement flicker	A/T control unit does not receive the proper voltage signal from ECM.	<ul style="list-style-type: none"> • Harness or connectors (The sensor circuit is open or shorted.)




Diagnostic Trouble Code (DTC) confirmation procedure


After the repair, perform the following procedure to confirm the malfunction is eliminated.

-  1) Start engine.
 2) Select "SELF-DIAG RESULTS" mode with CONSULT.
 3) Drive vehicle under the following conditions:
 Selector lever in "D", vehicle speed higher than 10 km/h (6 MPH), throttle opening greater than 1/8 of the full throttle position and driving for more than 10 seconds.

OR

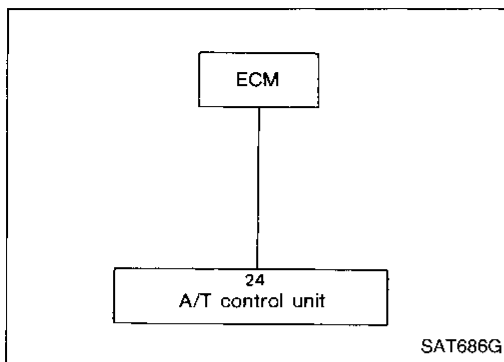
-  1) Start engine.
 2) Drive vehicle under the following conditions:
 Selector lever in "D", vehicle speed higher than 10 km/h (6 MPH), throttle opening greater than 1/8 of the full throttle position and driving for more than 10 seconds.
 3) Select "MODE 7" with GST.

OR

-  1) Start engine.
 2) Drive vehicle under the following conditions:
 Selector lever in "D", vehicle speed higher than 10 km/h (6 MPH), throttle opening greater than 1/8 of the full throttle position and driving for more than 10 seconds.
 3) Perform self-diagnosis.
 Refer to SELF-DIAGNOSTIC PROCEDURE (No Tools), AT-27.

TROUBLE DIAGNOSIS FOR DTC P0725

Engine Speed Signal (Cont'd)

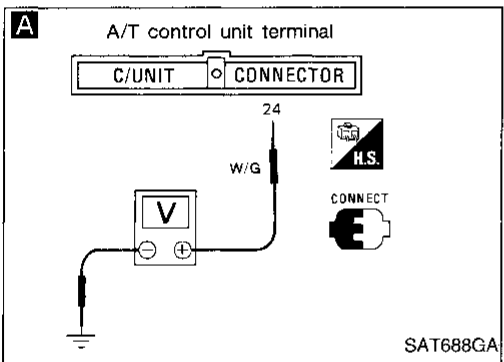


A

☆ MONITOR	☆ NO FAIL	
VHCL/S SE-A/T	0km/h	
VHCL/S SE-MTR	5km/h	
THRTL POS SEN	0.4V	
FLUID TEMP SE	1.2V	
BATTERY VOLT	13.4V	
ENGINE SPEED	1024rpm	
OVERDRIVE SW	O N	
P/N POSI SW	O N	
R POSITION SW	OFF	

RECORD

SAT076H



Perform diagnostic test mode II (self-diagnostic results) for engine control. Check ignition signal circuit condition.

NG

Check ignition signal circuit for engine control. Refer to EC section ["Ignition Signal (DTC: 0201)", TROUBLE DIAGNOSIS FOR DTC P1320"].

OK

A

CHECK INPUT SIGNAL.

1. Start engine.

2. Select "ECU INPUT SIGNALS" in Data Monitor.

3. Read out the value of "ENGINE SPEED".

Check engine speed changes according to throttle position.

OR

1. Start engine.

2. Check voltage between A/T control unit terminal (24) and ground.

Voltage: 0.9 - 4.5V

NG

Check the following items:

- Harness for short or open between A/T control unit and ignition coil
- Resistor
- Ignition coil

Refer to EC section ["Ignition Signal (DTC: 0201)", "TROUBLE DIAGNOSIS FOR DTC P1320"].

OK

Perform Diagnostic Trouble Code (DTC) confirmation procedure, AT-70.

NG

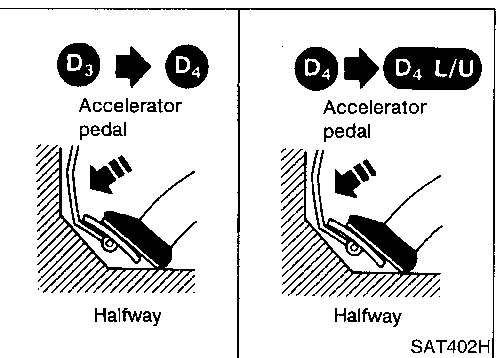
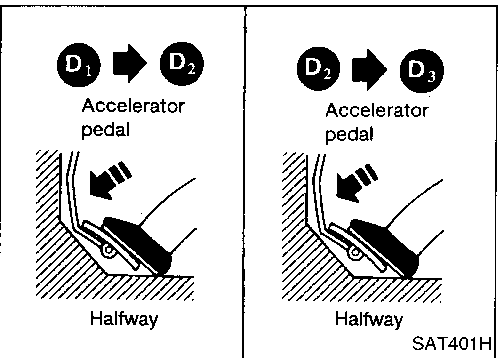
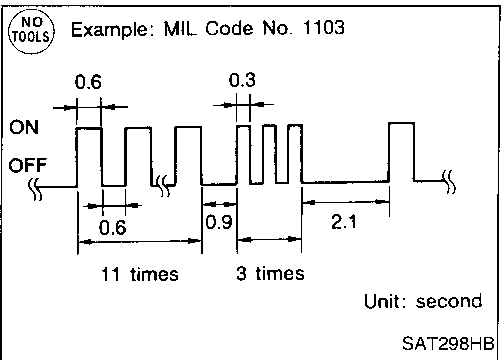
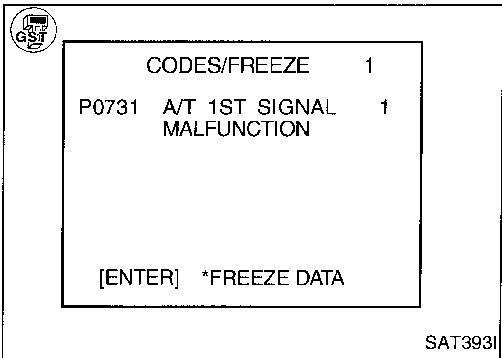
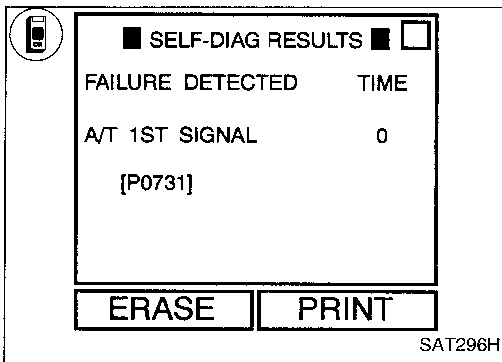
1. Perform A/T control unit input/output signal inspection.

2. If NG, recheck A/T control unit pin terminals for damage or loose connection with harness connector.

OK

INSPECTION END

CI
MA
EM
LC
EC
FE
CL
MT
AT
FA
RA
BR
ST
RS
BT
HA
EL
IDX



Improper Shifting to 1st Gear Position

DESCRIPTION

- This is one of the items indicated by the MIL.
- This malfunction will not be detected while the O/D OFF indicator lamp is indicating another self-diagnosis malfunction.
- This malfunction is detected when the A/T does not shift into first gear position as instructed by the A/T control unit. This is not caused by electrical malfunction (circuits open or shorted) but by mechanical malfunction such as control valve sticking, improper solenoid valve operation, etc.

Diagnostic trouble code	Malfunction is detected when ...	Check item (Possible cause)
: A/T 1ST SIGNAL	A/T cannot be shifted to the 1st gear position even if electrical circuit is good.	<ul style="list-style-type: none"> • Shift solenoid valve A • Shift solenoid valve B • Each clutch • Hydraulic control circuit
: P0731		
: MIL Code No. 1103		

Diagnostic Trouble Code (DTC) confirmation procedure

After the repair, perform the following procedure to confirm the malfunction is eliminated.

- 1) Start engine and warm up ATF.
 2) Select "SELF-DIAG RESULTS" mode for ECM with CONSULT.
 3) Start vehicle with selector lever in "D" and throttle opening halfway. Check that vehicle runs through gear shift of D₁ → D₂ → D₃ → D₄, in accordance with shift schedule. Refer to shift schedule, AT-49.

OR

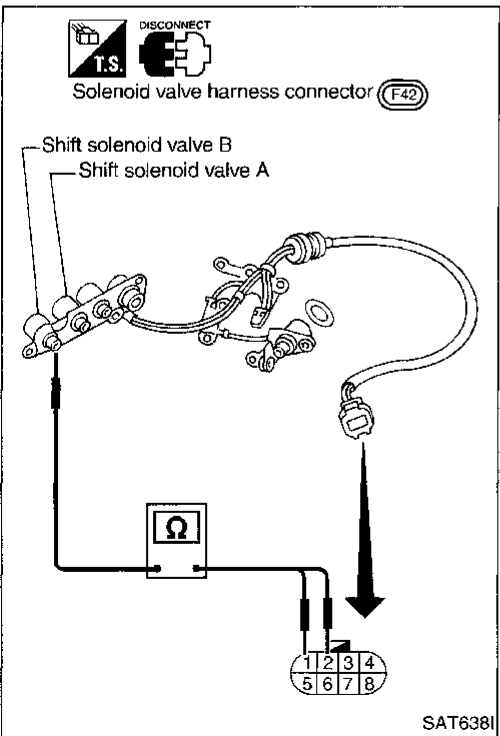
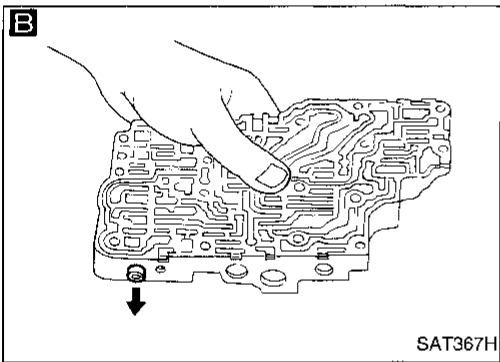
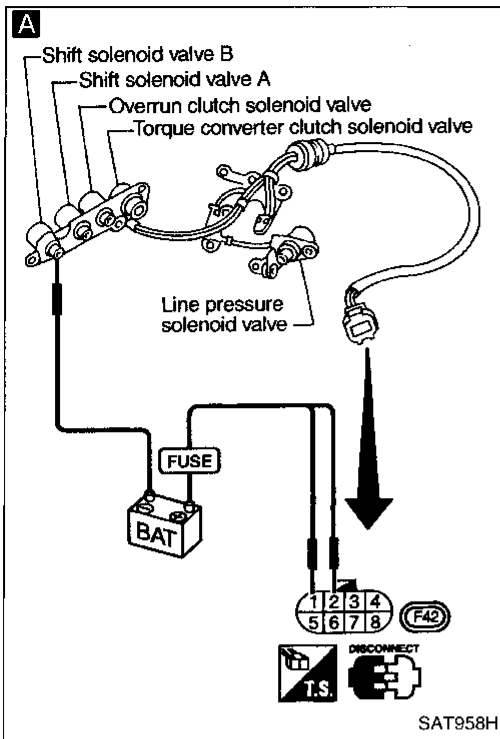
- 1) Start engine and warm up ATF.
 2) Start vehicle with selector lever in "D" and throttle opening halfway. Check that vehicle runs through gear shift of D₁ → D₂ → D₃ → D₄, in accordance with shift schedule. Refer to shift schedule, AT-49.
 3) Select "MODE 7" with GST.

OR

- 1) Start engine and warm up ATF.
 2) Start vehicle with selector lever in "D" and throttle opening halfway. Check that vehicle runs through gear shift of D₁ → D₂ → D₃ → D₄, in accordance with shift schedule. Refer to shift schedule, AT-49.
 3) Perform self-diagnosis for ECM. Refer to EC section ["Malfunction Indicator Lamp (MIL)", "ON BOARD DIAGNOSTIC SYSTEM DESCRIPTION"].

TROUBLE DIAGNOSIS FOR DTC P0731

Improper Shifting to 1st Gear Position (Cont'd)



A

CHECK SHIFT SOLENOID VALVE.

1. Remove control valve assembly. Refer to AT-138.
2. Check shift solenoid valve operation.
 - Shift solenoid valve A
 - Shift solenoid valve B
 Refer to "Component Inspection" below.

NG → Repair or replace shift solenoid valve assembly.

B

CHECK CONTROL VALVE.

1. Disassemble control valve assembly. Refer to "Control Valve Assembly", AT-168.
2. Check to ensure that:
 - Valve, sleeve and plug slide along valve bore under their own weight.
 - Valve, sleeve and plug are free from burrs, dents and scratches.
 - Control valve springs are free from damage, deformation and fatigue.
 - Hydraulic line is free from obstacles.

NG → Repair control valve assembly.

Perform Diagnostic Trouble Code (DTC) confirmation procedure, AT-72.

NG → Check control valve again. Repair or replace control valve assembly.

INSPECTION END

COMPONENT INSPECTION

Shift solenoid valve A and B

- For removal, refer to AT-138.

Resistance check

- Check resistance between two terminals.

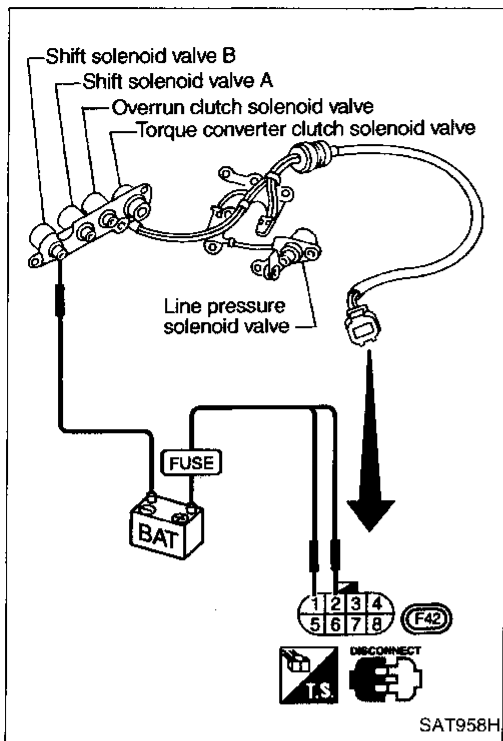
Solenoid valve	Terminal No.	Resistance (Approx.)
Shift solenoid valve A	②	Ground 20 - 40Ω
Shift solenoid valve B	①	

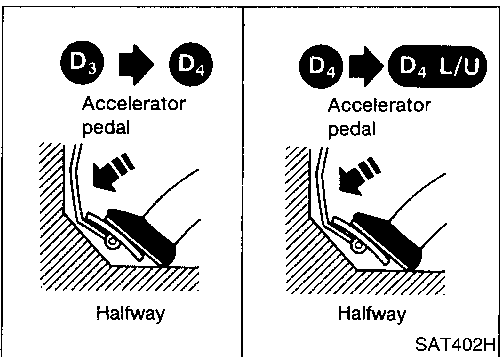
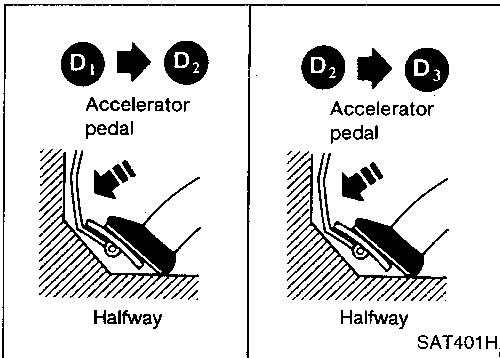
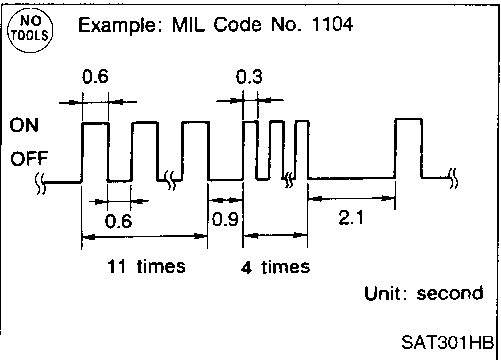
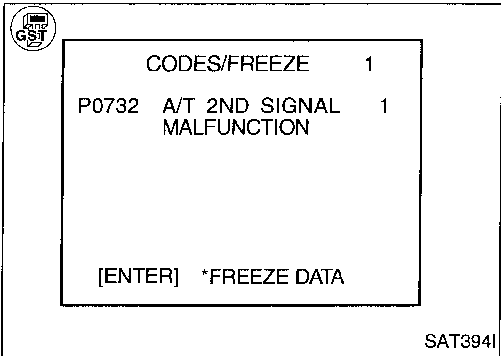
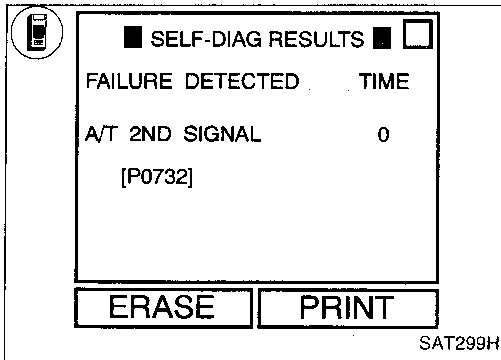
TROUBLE DIAGNOSIS FOR DTC P0731

Improper Shifting to 1st Gear Position (Cont'd)

Operation check

- Check solenoid valve by listening for its operating sound while applying battery voltage to the terminal and ground.





Improper Shifting to 2nd Gear Position

DESCRIPTION

- This is one of the items indicated by the MIL.
- This malfunction will not be detected while the O/D OFF indicator lamp is indicating another self-diagnosis malfunction.
- This malfunction is detected when the A/T does not shift into second gear position as instructed by the A/T control unit. This is not caused by electrical malfunction (circuits open or shorted) but by mechanical malfunction such as control valve sticking, improper solenoid valve operation, etc.

Diagnostic trouble code	Malfunction is detected when ...	Check item (Possible cause)
: A/T 2ND SIGNAL : P0732 : MIL Code No. 1104	A/T cannot be shifted to the 2nd gear position even if electrical circuit is good.	<ul style="list-style-type: none"> • Shift solenoid valve B • Each clutch • Hydraulic control circuit

Diagnostic Trouble Code (DTC) confirmation procedure

After the repair, perform the following procedure to confirm the malfunction is eliminated.

-
- 1) Start engine and warm up ATF.
 - 2) Select "SELF-DIAG RESULTS" mode for ECM with CONSULT.
 - 3) Start vehicle with selector lever in "D" and throttle opening halfway. Check that vehicle runs through gear shift of D₁ → D₂ → D₃ → D₄, in accordance with shift schedule. Refer to shift schedule, AT-49.

OR

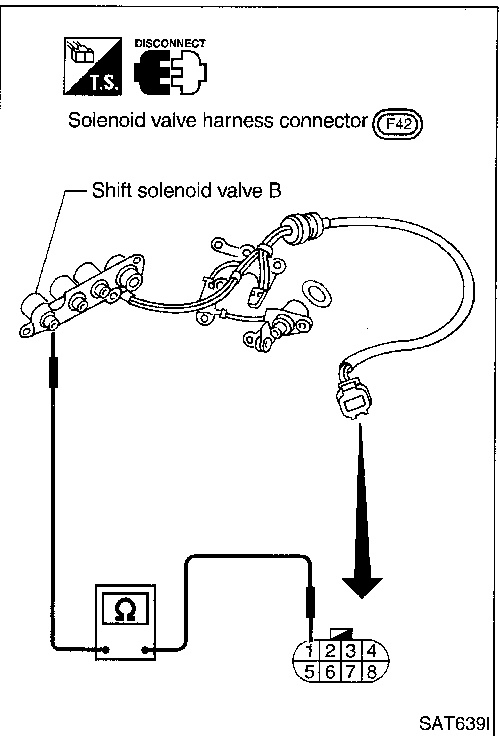
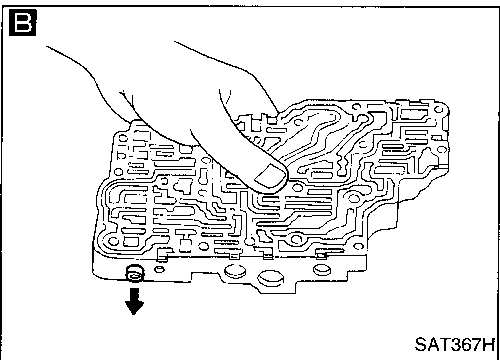
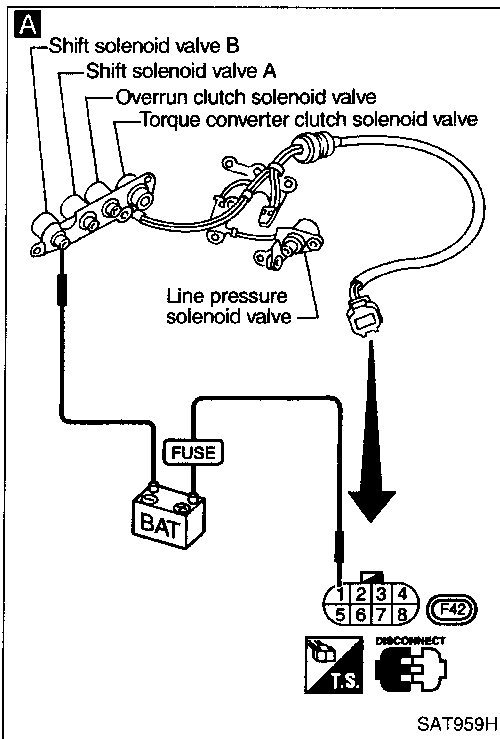
-
- 1) Start engine and warm up ATF.
 - 2) Start vehicle with selector lever in "D" and throttle opening halfway. Check that vehicle runs through gear shift of D₁ → D₂ → D₃ → D₄, in accordance with shift schedule. Refer to shift schedule, AT-49.
 - 3) Select "MODE 7" with GST.

OR

-
- 1) Start engine and warm up ATF.
 - 2) Start vehicle with selector lever in "D" and throttle opening halfway. Check that vehicle runs through gear shift of D₁ → D₂ → D₃ → D₄, in accordance with shift schedule. Refer to shift schedule, AT-49.
 - 3) Perform self-diagnosis for ECM. Refer to EC section ["Malfunction Indicator Lamp (MIL)", "ON BOARD DIAGNOSTIC SYSTEM DESCRIPTION"].

TROUBLE DIAGNOSIS FOR DTC P0732

Improper Shifting to 2nd Gear Position (Cont'd)



A

CHECK SHIFT SOLENOID VALVE.

1. Remove control valve assembly. Refer to AT-138.
2. Check shift solenoid valve operation.
 - Shift solenoid valve B
 Refer to "Component Inspection" below.

NG → Repair or replace shift solenoid valve assembly.

OK ↓

B

CHECK CONTROL VALVE.

1. Disassemble control valve assembly. Refer to "Control Valve Assembly", AT-168.
2. Check to ensure that:
 - Valve, sleeve and plug slide along valve bore under their own weight.
 - Valve, sleeve and plug are free from burrs, dents and scratches.
 - Control valve springs are free from damage, deformation and fatigue.
 - Hydraulic line is free from obstacles.

NG → Repair control valve assembly.

OK ↓

Perform Diagnostic Trouble Code (DTC) confirmation procedure, AT-75.

NG → Check control valve again. Repair or replace control valve assembly.

OK ↓

INSPECTION END

COMPONENT INSPECTION

Shift solenoid valve B

- For removal, refer to AT-138.

Resistance check

- Check resistance between two terminals.

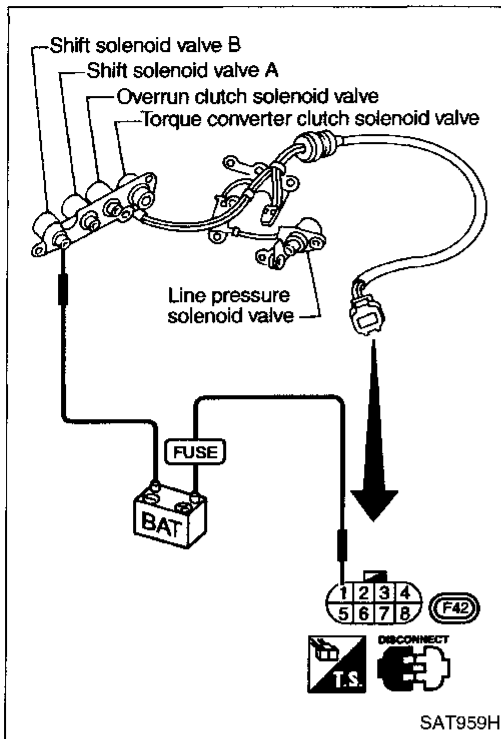
Solenoid valve	Terminal No.		Resistance (Approx.)
Shift solenoid valve B	①	Ground	20 - 40Ω

TROUBLE DIAGNOSIS FOR DTC P0732

Improper Shifting to 2nd Gear Position (Cont'd)

Operation check

- Check solenoid valve by listening for its operating sound while applying battery voltage to the terminal and ground.



GI

MA

EM

LC

EC

FE

CL

MT

AT

FA

RA

BR

ST

RS

BT

HA

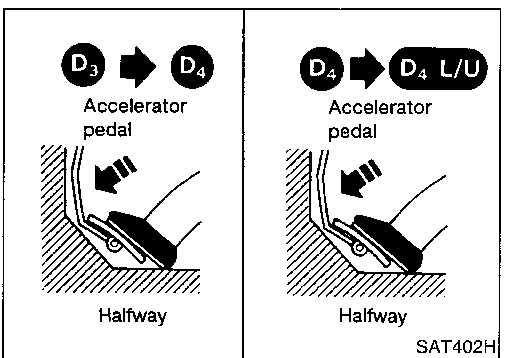
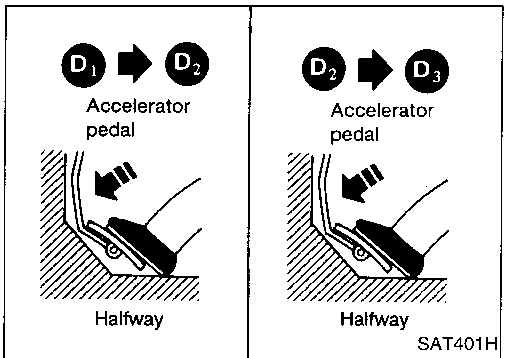
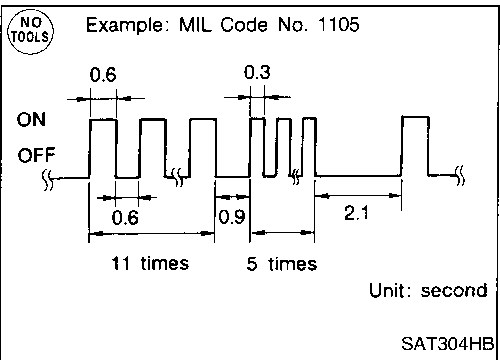
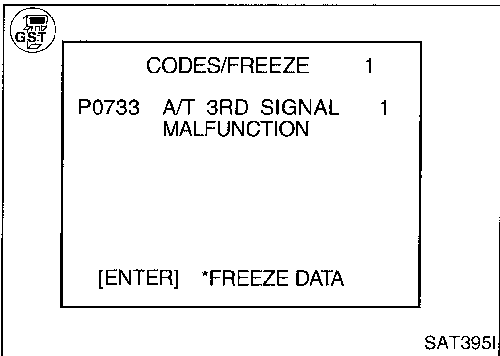
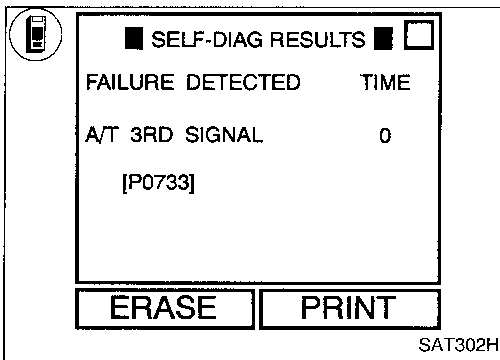
EL

IDX

Improper Shifting to 3rd Gear Position

DESCRIPTION

- This is one of the items indicated by the MIL.
- This malfunction will not be detected while the O/D OFF indicator lamp is indicating another self-diagnosis malfunction.
- This malfunction is detected when the A/T does not shift into third gear position as instructed by the A/T control unit. This is not caused by electrical malfunction (circuits open or shorted) but by mechanical malfunction such as control valve sticking, improper solenoid valve operation, malfunctioning servo piston or brake band, etc.



Diagnostic trouble code	Malfunction is detected when ...	Check item (Possible cause)
: A/T 3RD SIGNAL	A/T cannot be shifted to the 3rd gear position even if electrical circuit is good.	<ul style="list-style-type: none"> • Shift solenoid valve A • Each clutch • Hydraulic control circuit
: P0733		
: MIL Code No. 1105		

Diagnostic Trouble Code (DTC) confirmation procedure

After the repair, perform the following procedure to confirm the malfunction is eliminated.

- 1) Start engine and warm up ATF.
 2) Select "SELF-DIAG RESULTS" mode for ECM with CONSULT.
 3) Start vehicle with selector lever in "D" and throttle opening halfway. Check that vehicle runs through gear shift of D₁ → D₂ → D₃ → D₄, in accordance with shift schedule. Refer to shift schedule, AT-49.

OR

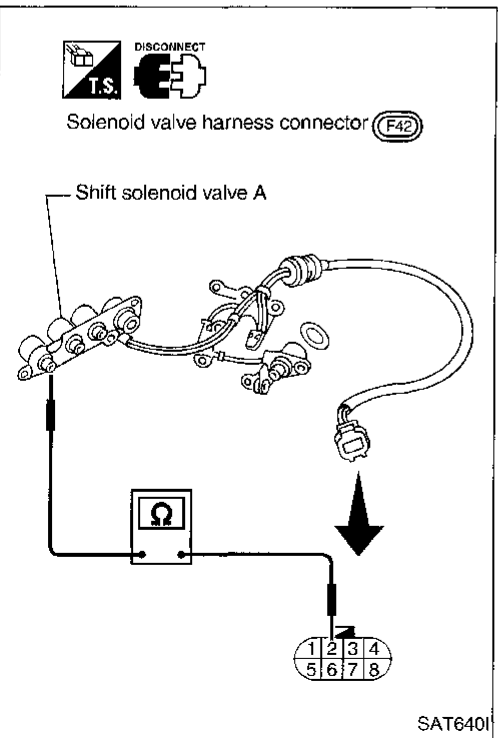
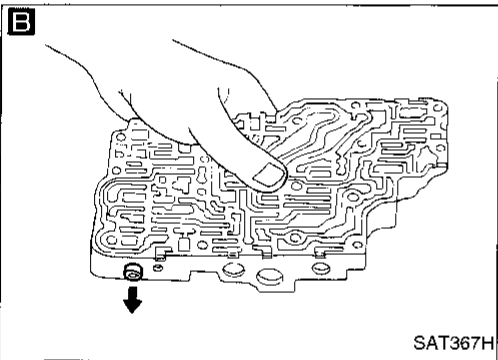
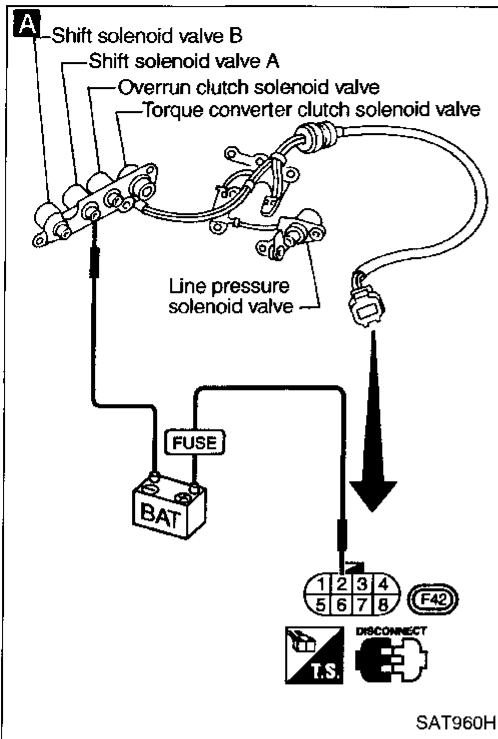
- 1) Start engine and warm up ATF.
 2) Start vehicle with selector lever in "D" and throttle opening halfway. Check that vehicle runs through gear shift of D₁ → D₂ → D₃ → D₄, in accordance with shift schedule. Refer to shift schedule, AT-49.
 3) Select "MODE 7" with GST.

OR

- 1) Start engine and warm up ATF.
 2) Start vehicle with selector lever in "D" and throttle opening halfway. Check that vehicle runs through gear shift of D₁ → D₂ → D₃ → D₄, in accordance with shift schedule. Refer to shift schedule, AT-49.
 3) Perform self-diagnosis for ECM. Refer to EC section ["Malfunction Indicator Lamp (MIL)", "ON BOARD DIAGNOSTIC SYSTEM DESCRIPTION"].

TROUBLE DIAGNOSIS FOR DTC P0733

Improper Shifting to 3rd Gear Position (Cont'd)



A

CHECK SHIFT SOLENOID VALVE.

1. Remove control valve assembly. Refer to AT-138.
2. Check shift solenoid valve operation.
 - Shift solenoid valve A
 Refer to "Component Inspection" below.

NG → Repair or replace shift solenoid valve assembly.

B

CHECK CONTROL VALVE.

1. Disassemble control valve assembly. Refer to "Control Valve Assembly", AT-168.
2. Check to ensure that:
 - Valve, sleeve and plug slide along valve bore under their own weight.
 - Valve, sleeve and plug are free from burrs, dents and scratches.
 - Control valve springs are free from damage, deformation and fatigue.
 - Hydraulic line is free from obstacles.

NG → Repair control valve assembly.

Perform Diagnostic Trouble Code (DTC) confirmation procedure, AT-78.

NG → Check control valve again. Repair or replace control valve assembly.

INSPECTION END

COMPONENT INSPECTION

Shift solenoid valve A

- For removal, refer to AT-138.

Resistance check

- Check resistance between two terminals.

Solenoid valve	Terminal No.		Resistance (Approx.)
Shift solenoid valve A	②	Ground	20 - 40Ω

GI
MA
EM
LC
EC
FE
CL
MT
AT

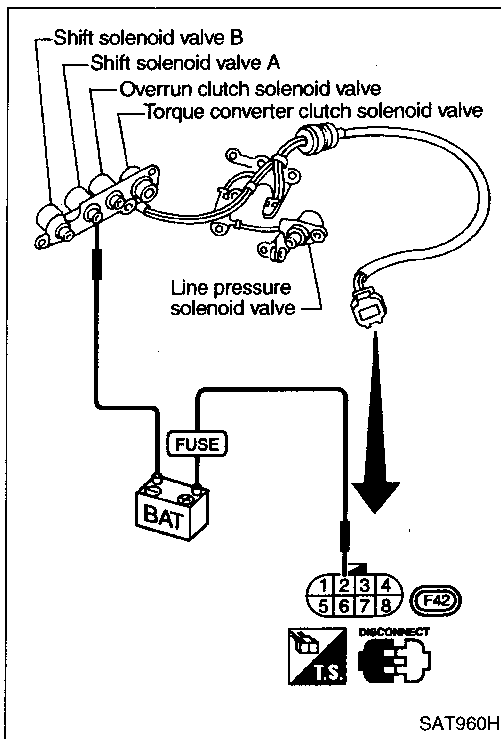
FA
RA
BR
ST
RS
BT
HA
EL
IDX

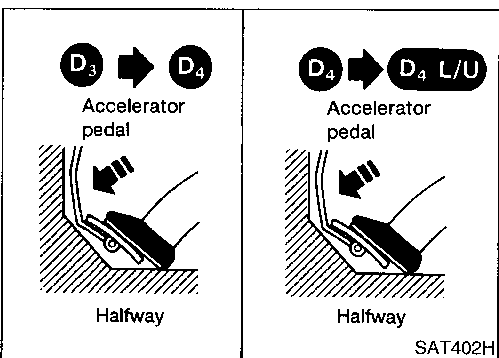
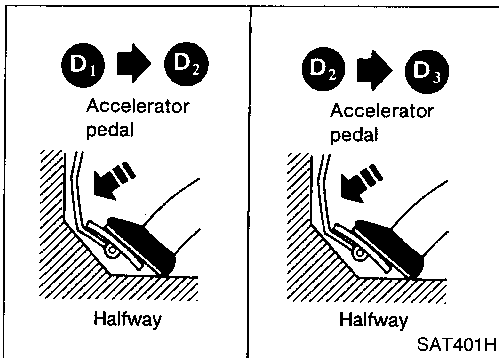
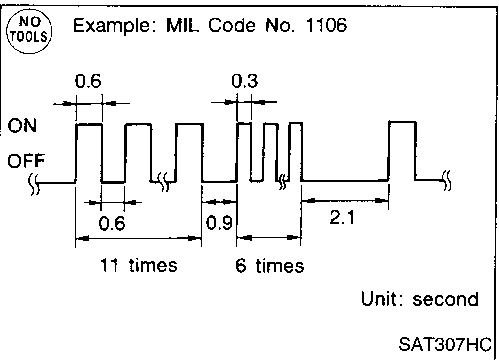
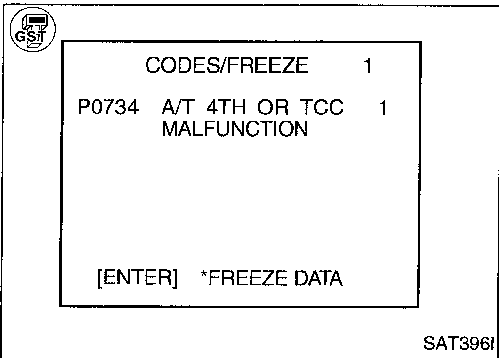
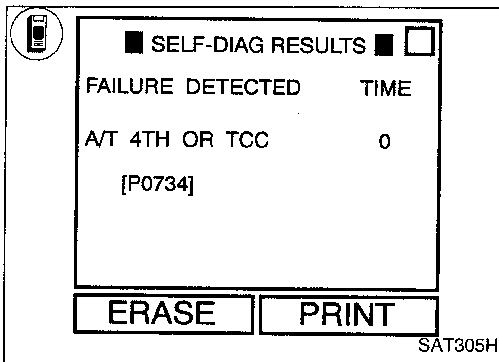
TROUBLE DIAGNOSIS FOR DTC P0733

Improper Shifting to 3rd Gear Position (Cont'd)

Operation check

- Check solenoid valve by listening for its operating sound while applying battery voltage to the terminal and ground.





Improper Shifting to 4th Gear Position

DESCRIPTION

- This is one of the items indicated by the MIL.
- This malfunction will not be detected while the O/D OFF indicator lamp is indicating another self-diagnosis malfunction.
- This malfunction is detected when the A/T does not shift to fourth gear position or the torque converter clutch does not lock up as instructed by the A/T control unit. This is not caused by electrical malfunction (circuits open or shorted) but by mechanical malfunction such as control valve sticking, improper solenoid valve operation, malfunctioning oil pump or torque converter clutch, etc.

Diagnostic trouble code	Malfunction is detected when ...	Check item (Possible cause)
: A/T 4TH SIGNAL : P0734 : MIL Code No. 1106	A/T cannot be shifted to the 4th gear position even if electrical circuit is good.	<ul style="list-style-type: none"> • Shift solenoid valve A • Shift solenoid valve B • Overrun clutch solenoid valve • Line pressure solenoid valve • Each clutch • Hydraulic control circuit

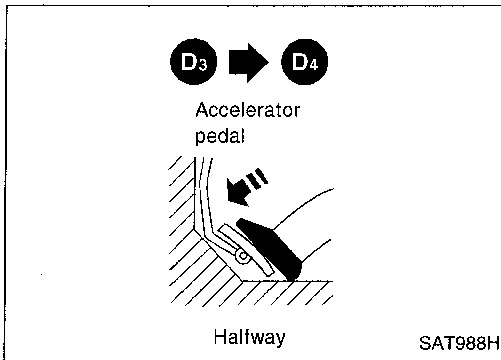
Diagnostic Trouble Code (DTC) confirmation procedure

After the repair, perform the following procedure to confirm the malfunction is eliminated.

- 1) Start engine and warm up ATF.
 - 2) Select "SELF-DIAG RESULTS" mode for ECM with CONSULT.
 - 3) Start vehicle with selector lever in "D" and throttle opening halfway. Check that vehicle runs through gear shift of $D_1 \rightarrow D_2 \rightarrow D_3 \rightarrow D_4 \rightarrow D_4$ lock-up, in accordance with shift schedule. Refer to shift schedule, AT-49.
- OR
- 1) Start engine and warm up ATF.
 - 2) Start vehicle with selector lever in "D" and throttle opening halfway. Check that vehicle runs through gear shift of $D_1 \rightarrow D_2 \rightarrow D_3 \rightarrow D_4 \rightarrow D_4$ lock-up, in accordance with shift schedule. Refer to shift schedule, AT-49.
 - 3) Select "MODE 7" with GST.
- OR
- 1) Start engine and warm up ATF.
 - 2) Start vehicle with selector lever in "D" and throttle opening halfway. Check that vehicle runs through gear shift of $D_1 \rightarrow D_2 \rightarrow D_3 \rightarrow D_4 \rightarrow D_4$ lock-up, in accordance with shift schedule. Refer to shift schedule, AT-49.
 - 3) Perform self-diagnosis for ECM. Refer to EC section ["Malfunction Indicator Lamp (MIL)", "ON BOARD DIAGNOSTIC SYSTEM DESCRIPTION"].

TROUBLE DIAGNOSIS FOR DTC P0734

Improper Shifting to 4th Gear Position (Cont'd)



During "Cruise test – Part 1" (AT-45), does A/T shift from D₃ to D₄ at the specified speed?

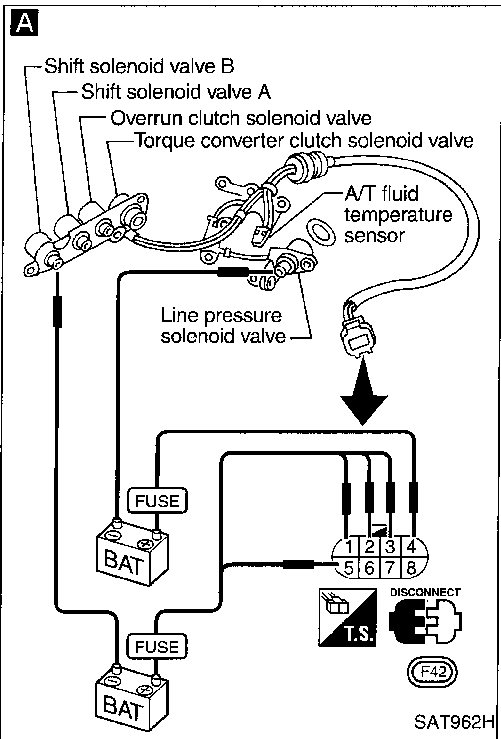
Yes → Go to **B** and check for proper lock-up.

No

Perform pressure test. Refer to AT-129.

NG → Go to **A**.

OK →



A

CHECK SOLENOID VALVES.

1. Remove control valve assembly. Refer to AT-138.
2. Refer to "Component Inspection", AT-85.

NG → Replace solenoid valve assembly.

OK →

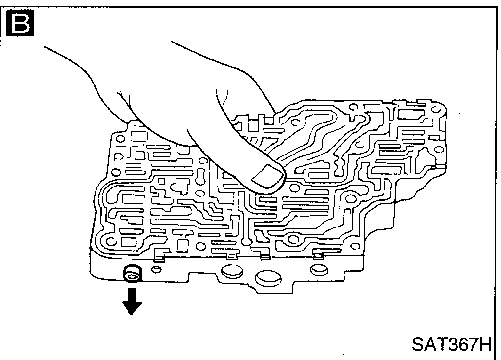
B

CHECK CONTROL VALVE.

1. Disassemble control valve assembly. Refer to AT-168.
2. Check to ensure that:
 - Valve, sleeve and plug slide along valve bore under their own weight.
 - Valve, sleeve and plug are free from burrs, dents and scratches.
 - Control valve springs are free from damage, deformation and fatigue.
 - Hydraulic line is free from obstacles.

NG → Repair control valve.

OK →



Does A/T shift from D₃ to D₄ at the specified speed?

NG → Check control valve again. Repair or replace control valve assembly.

OK →

Perform Diagnostic Trouble Code (DTC) confirmation procedure (AT-81).

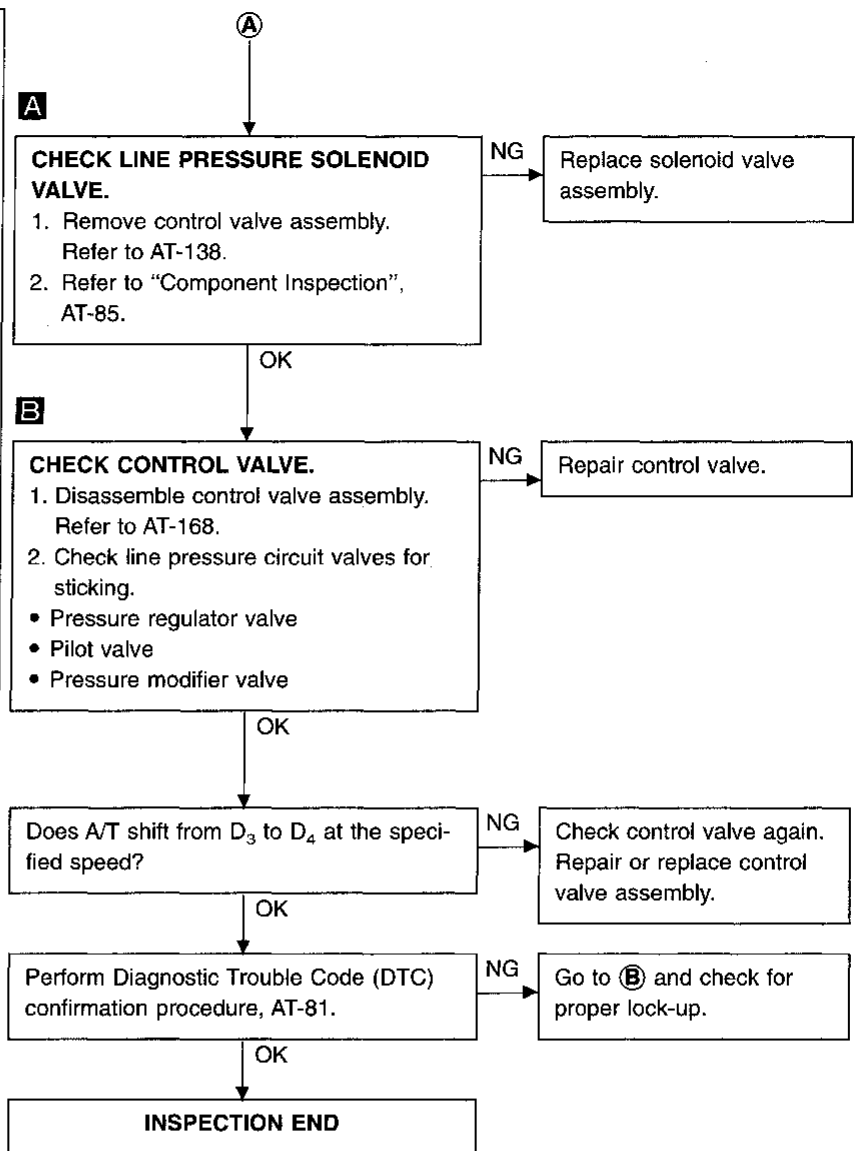
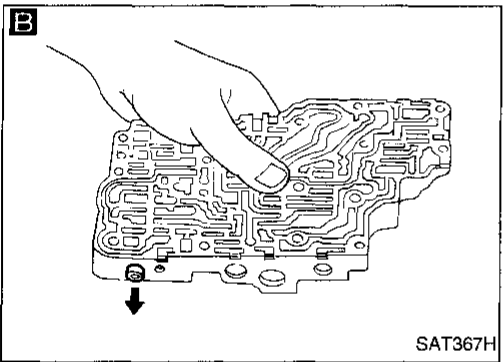
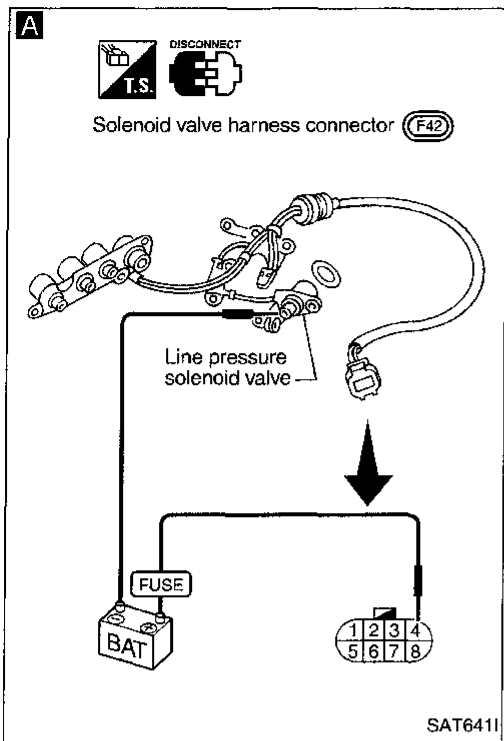
NG → Go to **B** and check for proper lock-up.

OK →

INSPECTION END

TROUBLE DIAGNOSIS FOR DTC P0734

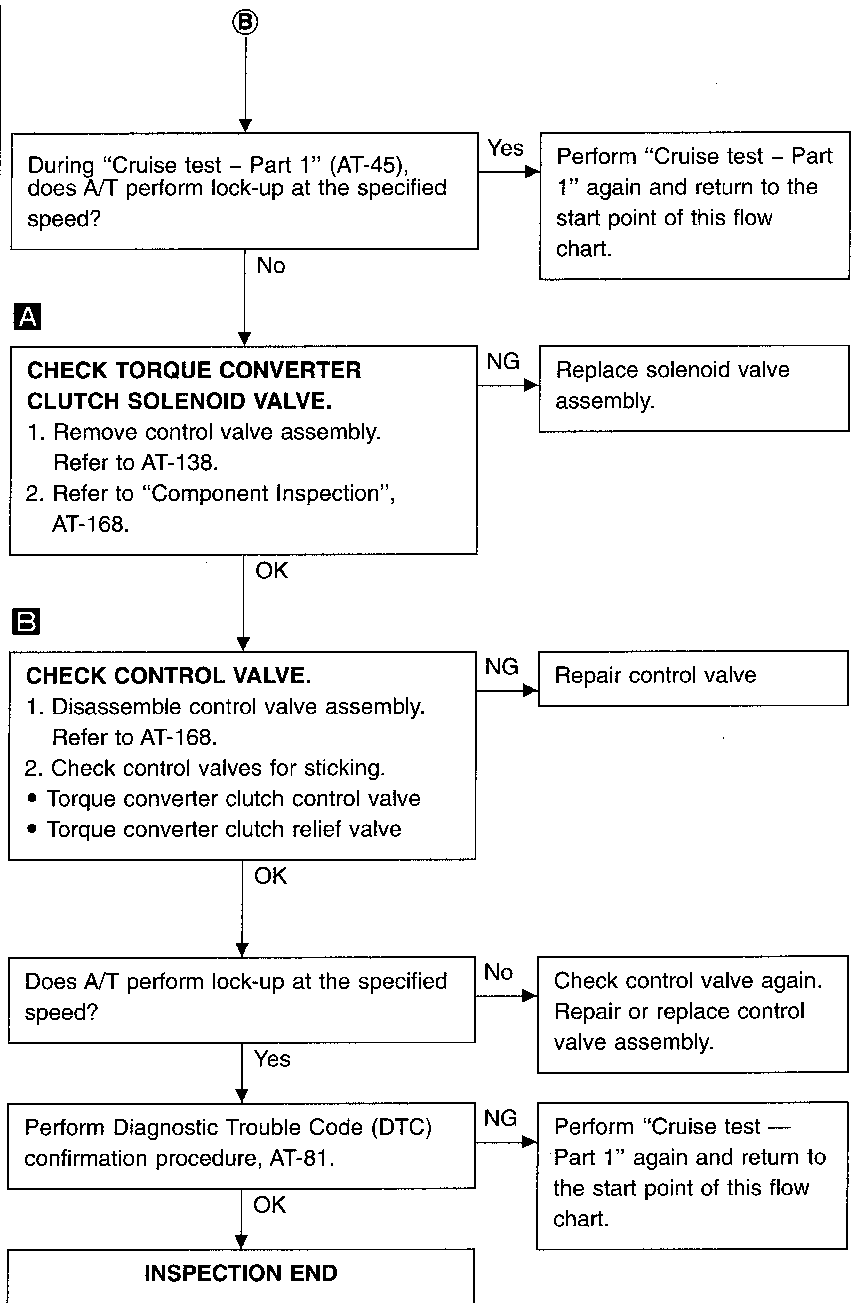
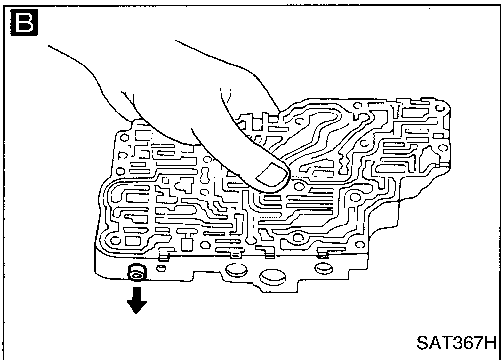
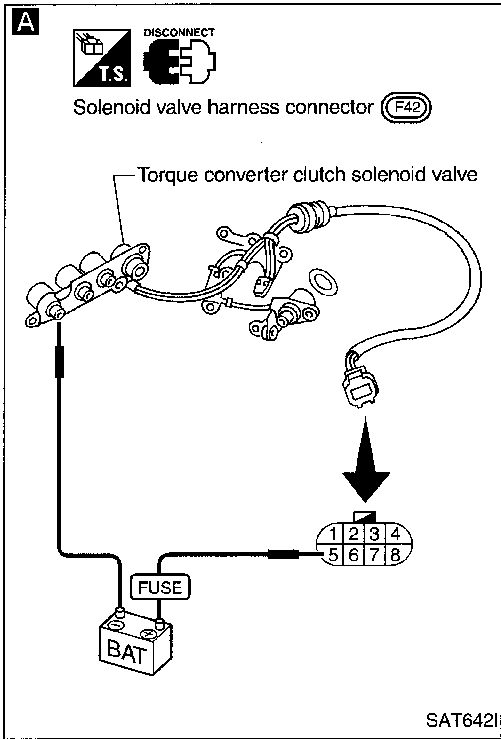
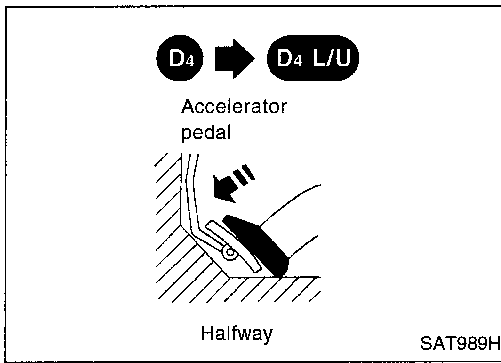
Improper Shifting to 4th Gear Position (Cont'd)



GI
MA
EM
LC
EC
FE
CL
MT
AT
FA
RA
BR
ST
RS
BT
HA
EL
IDX

TROUBLE DIAGNOSIS FOR DTC P0734

Improper Shifting to 4th Gear Position (Cont'd)



TROUBLE DIAGNOSIS FOR DTC P0734

Improper Shifting to 4th Gear Position (Cont'd) COMPONENT INSPECTION

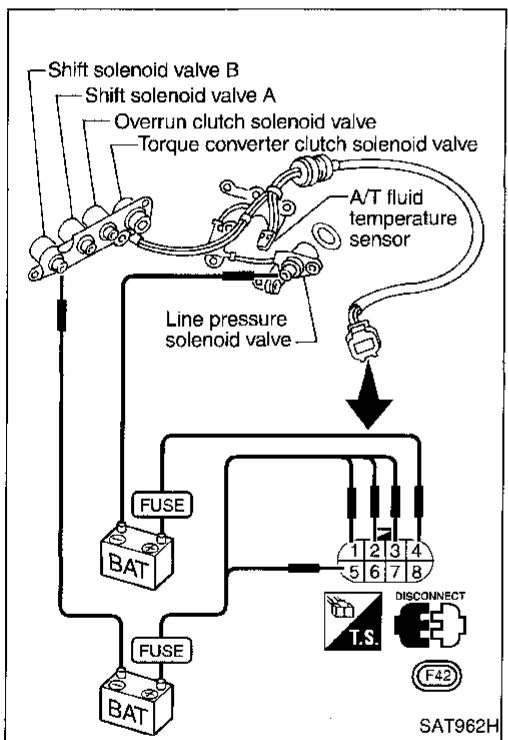
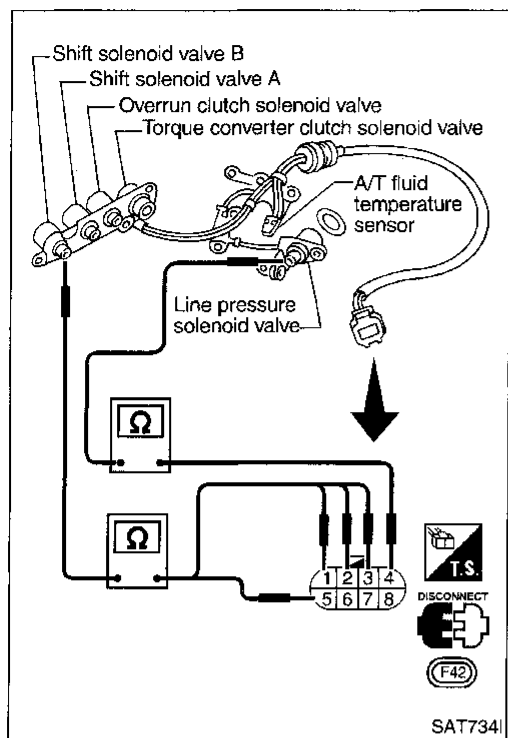
Solenoid valves

- For removal, refer to AT-138.

Resistance check

- Check resistance between two terminals.

Solenoid valve	Terminal No.	Resistance (Approx.)
Shift solenoid valve A	②	20 - 40Ω
Shift solenoid valve B	①	
Overrun clutch solenoid valve	③	
Line pressure solenoid valve	④	2.5 - 5Ω
Torque converter clutch solenoid valve	⑤	10 - 16Ω



Operation check

- Check solenoid valve by listening for its operating sound while applying battery voltage to the terminal and ground.

GI

NA

EM

LC

EC

FE

CL

MT

AT

FA

RA

BR

ST

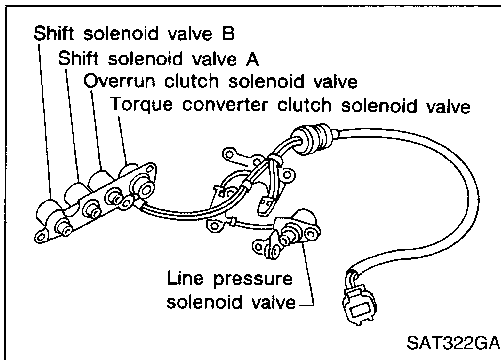
RS

BT

HA

EL

IDX

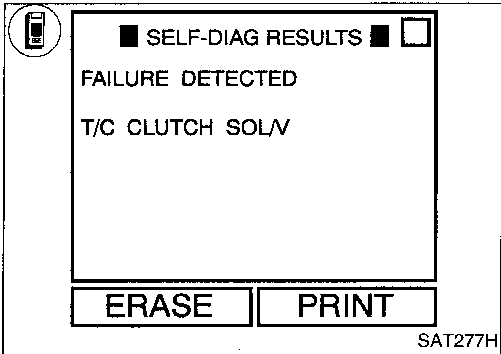


Torque Converter Clutch Solenoid Valve

DESCRIPTION

The torque converter clutch solenoid valve is activated, with the gear in D₄, by the A/T control unit in response to signals sent from the vehicle speed and throttle position sensors. Lock-up piston operation will then be controlled.

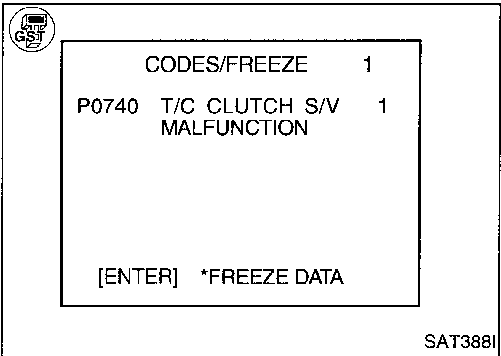
Lock-up operation, however, is prohibited when A/T fluid temperature is too low.



Diagnostic trouble code	Malfunction is detected when ...	Check item (Possible cause)
: T/C CLUTCH SOLV	A/T control unit detects an improper voltage drop when it tries to operate the solenoid valve.	<ul style="list-style-type: none"> • Harness or connectors (The solenoid circuit is open or shorted.) • T/C clutch solenoid valve
: P0740		
: 7th judgement flicker		

Diagnostic Trouble Code (DTC) confirmation procedure

After the repair, perform the following procedure to confirm the malfunction is eliminated.



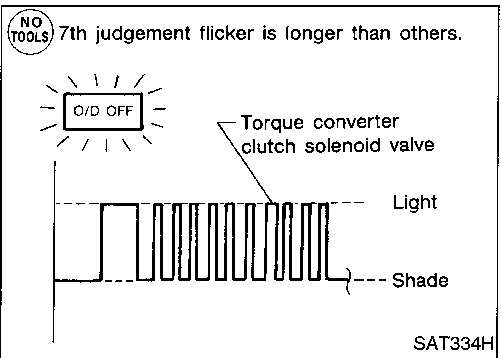
- 1) Start engine.
 2) Select "SELF-DIAG RESULTS" mode with CONSULT.
 3) Drive vehicle in D₁ → D₂ → D₃ → D₄ → D₄ lock-up position.

OR

- 1) Start engine.
 2) Drive vehicle in D₁ → D₂ → D₃ → D₄ → D₄ lock-up position.
 3) Select "MODE 7" with GST.

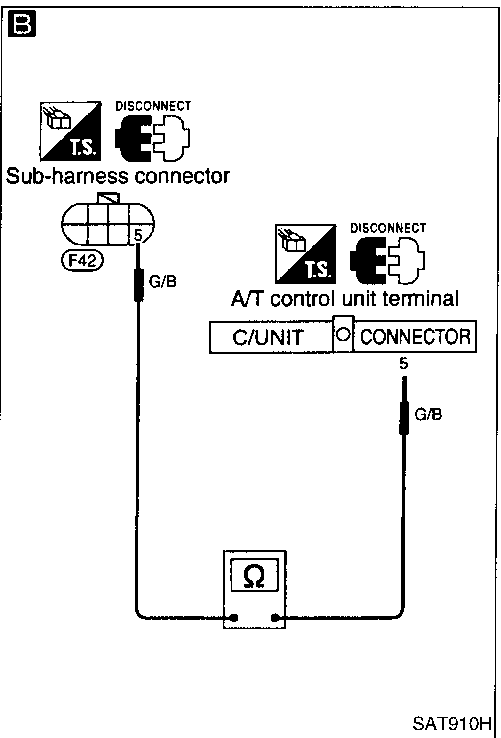
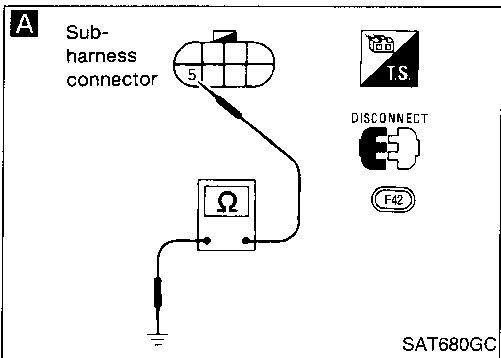
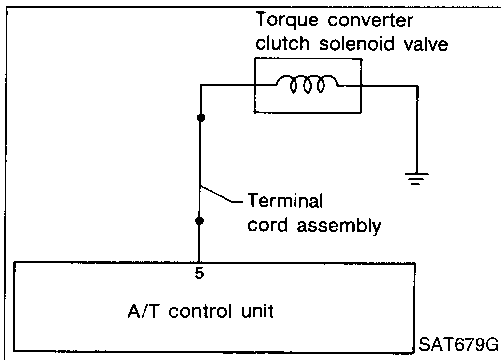
OR

- 1) Start engine.
 2) Drive vehicle in D₁ → D₂ → D₃ → D₄ → D₄ lock-up position.
 3) Perform self-diagnosis.
 Refer to SELF-DIAGNOSTIC PROCEDURE (No Tools), AT-27.



TROUBLE DIAGNOSIS FOR DTC P0740

Torque Converter Clutch Solenoid Valve (Cont'd)



A

CHECK GROUND CIRCUIT.

1. Turn ignition switch to "OFF" position.
2. Disconnect terminal cord assembly connector in engine compartment.
3. Check resistance between terminal ⑤ and ground.
Resistance: 10 - 20Ω

NG

1. Remove oil pan. Refer to AT-138.
2. Check the following items:
 - Torque converter clutch solenoid valve Refer to "Component Inspection" on next page.
 - Harness of terminal cord assembly for short or open

OK

B

CHECK POWER SOURCE CIRCUIT.

1. Turn ignition switch to "OFF" position.
2. Disconnect A/T control unit harness connector.
3. Check resistance between terminal ⑤ and A/T control unit harness connector terminal ⑤.
Resistance: Approximately 0Ω
4. Reinstall any part removed.

NG

- Repair or replace harness between A/T control unit and terminal cord assembly. (Main harness)

OK

Perform Diagnostic Trouble Code (DTC) confirmation procedure, AT-86.

NG

1. Perform A/T control unit input/output signal inspection.
2. If NG, recheck A/T control unit pin terminals for damage or loose connection with harness connector.

OK

INSPECTION END

GI

MA

EM

LC

EC

FE

CL

MT

AT

FA

RA

BR

ST

RS

BT

HA

EL

IDX

TROUBLE DIAGNOSIS FOR DTC P0740

Torque Converter Clutch Solenoid Valve (Cont'd)

COMPONENT INSPECTION

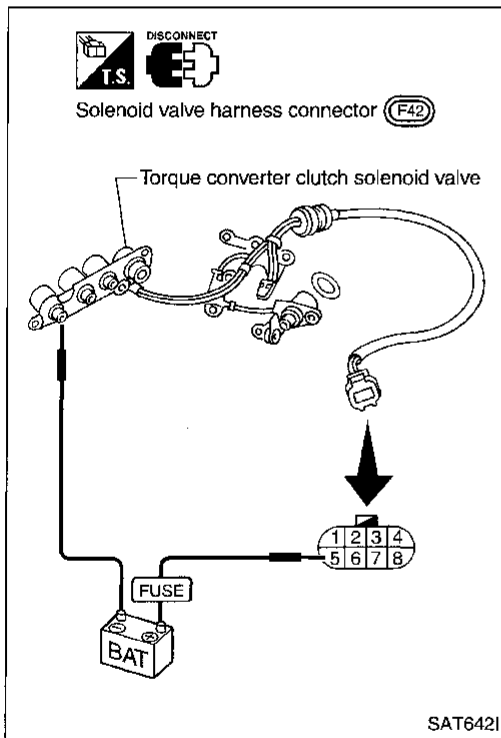
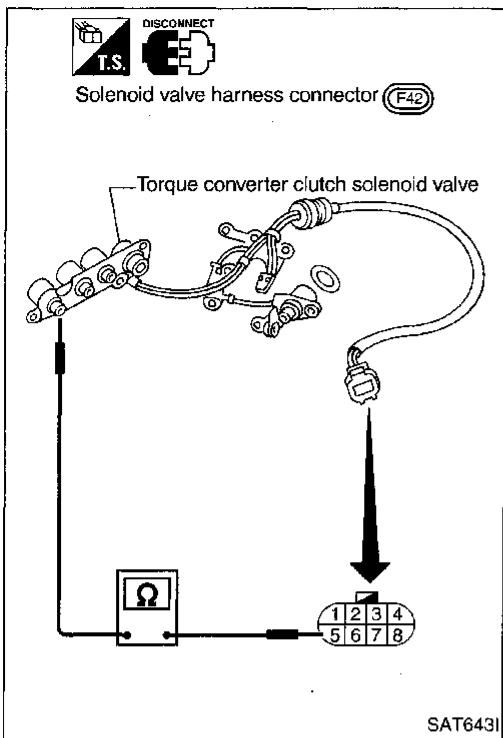
Torque converter clutch solenoid valve

- For removal, refer to AT-138.

Resistance check

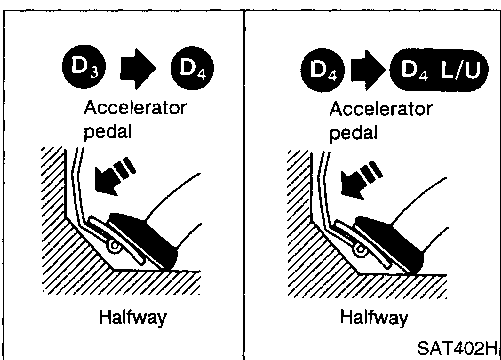
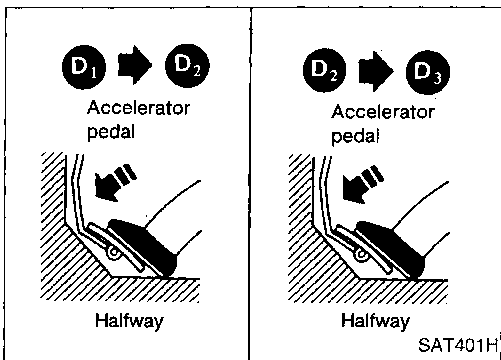
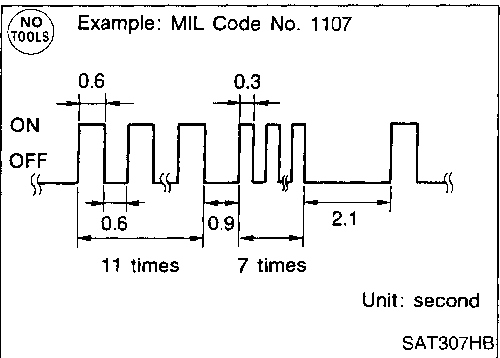
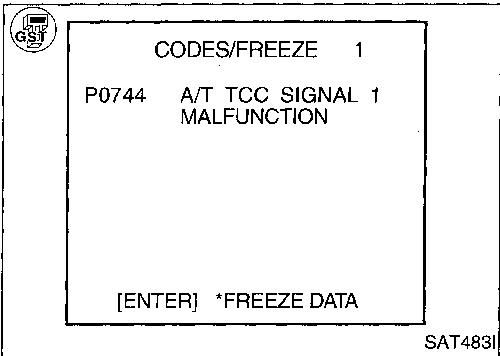
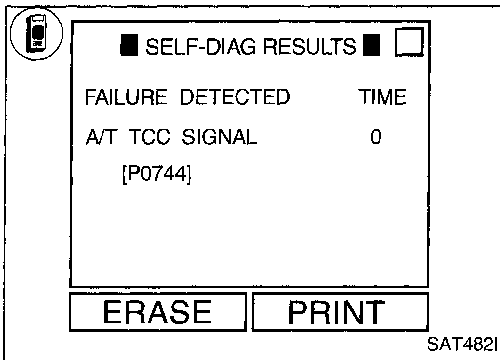
- Check resistance between two terminals.

Solenoid valve	Terminal No.		Resistance (Approx.)
Torque converter clutch solenoid valve	⑤	Ground	10 - 16Ω



Operation check

- Check solenoid valve by listening for its operating sound while applying battery voltage to the terminal and ground.



Improper Lock-up Operation

DESCRIPTION

- This is one of the items indicated by the MIL.
- This malfunction will not be detected while the O/D OFF indicator lamp is indicating another self-diagnosis malfunction.
- This malfunction is detected when the A/T does not shift into fourth gear position or the torque converter clutch does not lock up as instructed by the A/T control unit. This is not caused by electrical malfunction (circuits open or shorted) but by mechanical malfunction such as control valve sticking, improper solenoid valve operation, malfunctioning oil pump or torque converter clutch, etc.

Diagnostic trouble code	Malfunction is detected when ...	Check item (Possible cause)
: A/T TCC SIGNAL : P0744 : MIL Code No. 1107	A/T cannot perform lock-up even if electrical circuit is good.	<ul style="list-style-type: none"> • Torque converter clutch solenoid valve • Each clutch • Hydraulic control circuit

Diagnostic Trouble Code (DTC) confirmation procedure

After the repair, perform the following procedure to confirm the malfunction is eliminated.

- 1) Start engine and warm up ATF.
- 2) Select "SELF-DIAG RESULTS" mode for ECM with CONSULT.
- 3) Start vehicle with selector lever in "D" and throttle opening halfway. Check that vehicle runs through gear shift of D₁ → D₂ → D₃ → D₄ → D₄ lock-up, in accordance with shift schedule. Refer to shift schedule, AT-49.

OR

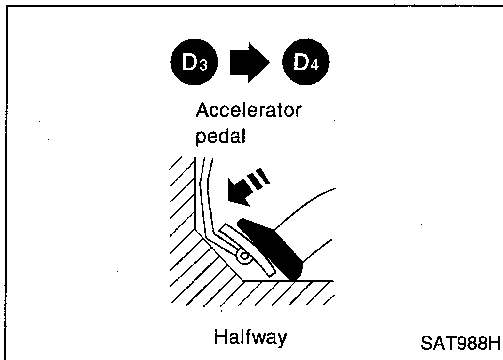
- 1) Start engine and warm up ATF.
- 2) Start vehicle with selector lever in "D" and throttle opening halfway. Check that vehicle runs through gear shift of D₁ → D₂ → D₃ → D₄ → D₄ lock-up, in accordance with shift schedule. Refer to shift schedule, AT-49.
- 3) Select "MODE 7" with GST.

OR

- 1) Start engine and warm up ATF.
- 2) Start vehicle with selector lever in "D" and throttle opening halfway. Check that vehicle runs through gear shift of D₁ → D₂ → D₃ → D₄ → D₄ lock-up, in accordance with shift schedule. Refer to shift schedule, AT-49.
- 3) Perform self-diagnosis for ECM. Refer to EC section ["Malfunction Indicator Lamp (MIL)", "ON BOARD DIAGNOSTIC SYSTEM DESCRIPTION"].

TROUBLE DIAGNOSIS FOR DTC P0744

Improper Lock-up Operation (Cont'd)



During "Cruise test – Part 1" (AT-45), does A/T shift from D₃ to D₄ at the specified speed?

Yes → Go to **B** and check for proper lock-up.

No

Perform pressure test. Refer to AT-129.

NG → Go to **A**.

OK

A

CHECK SOLENOID VALVES.

1. Remove control valve assembly. Refer to AT-138.
2. Check solenoid valve assembly operation. Refer to AT-93.

NG → Replace solenoid valve assembly.

OK

B

CHECK CONTROL VALVE.

1. Disassemble control valve assembly. Refer to AT-168.
2. Check to ensure that:
 - Valve, sleeve and plug slide along valve bore under their own weight.
 - Valve, sleeve and plug are free from burrs, dents and scratches.
 - Control valve springs are free from damage, deformation and fatigue.
 - Hydraulic line is free from obstacles.

NG → Repair control valve.

OK

Does A/T shift from D₃ to D₄ at the specified speed?

NG → Check control valve again. Repair or replace control valve assembly.

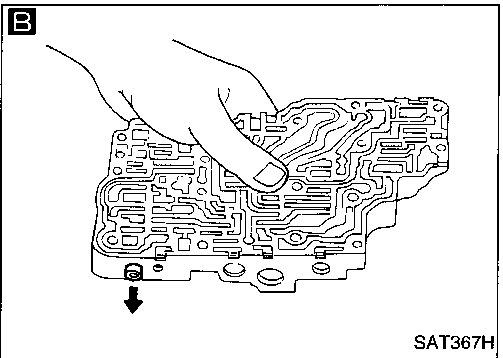
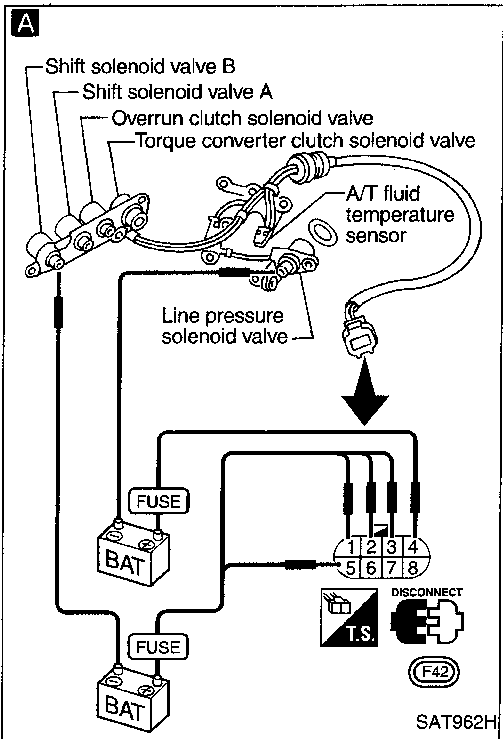
OK

Perform Diagnostic Trouble Code (DTC) confirmation procedure, AT-89.

NG → Go to **B** and check for proper lock-up.

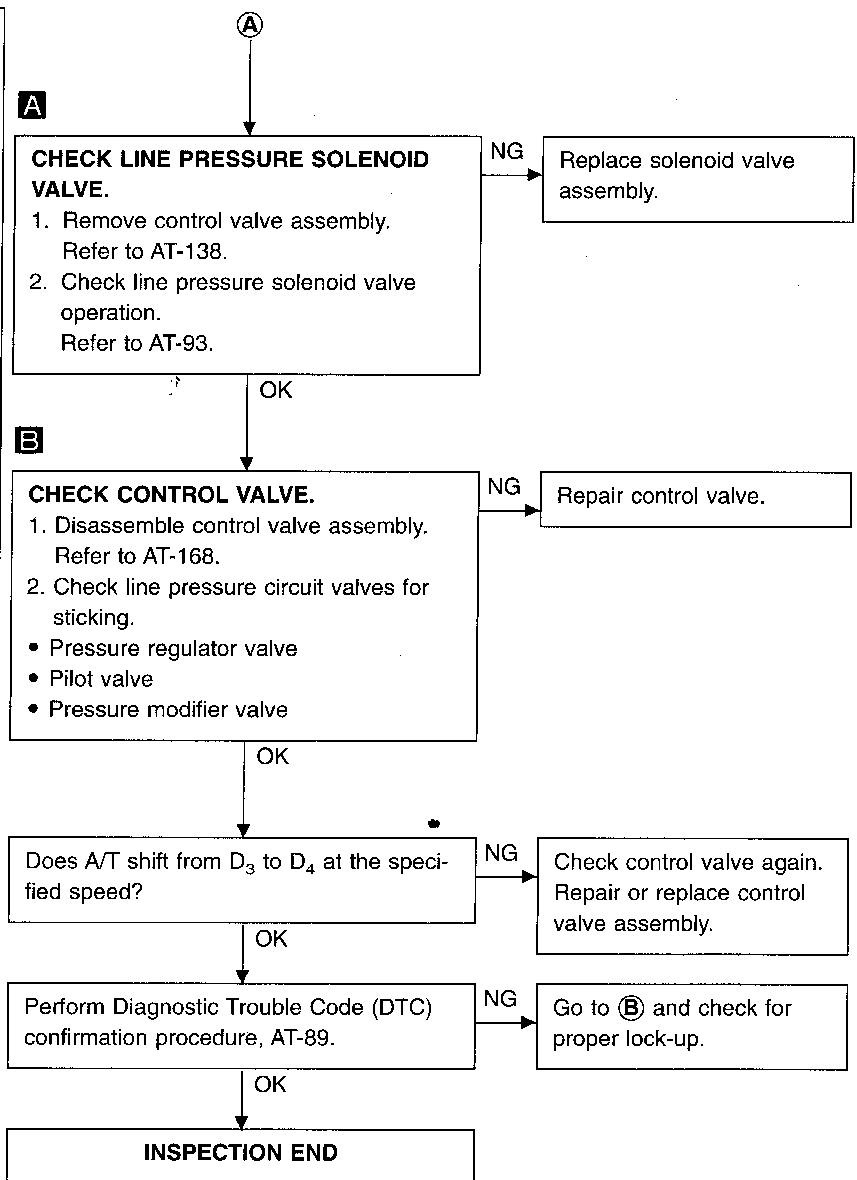
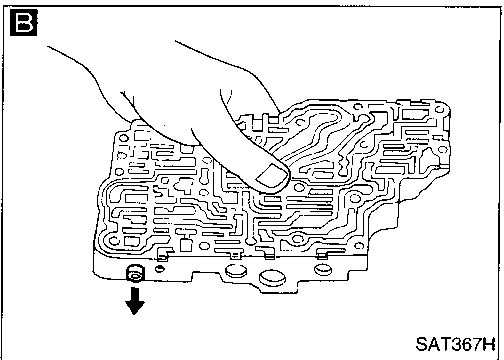
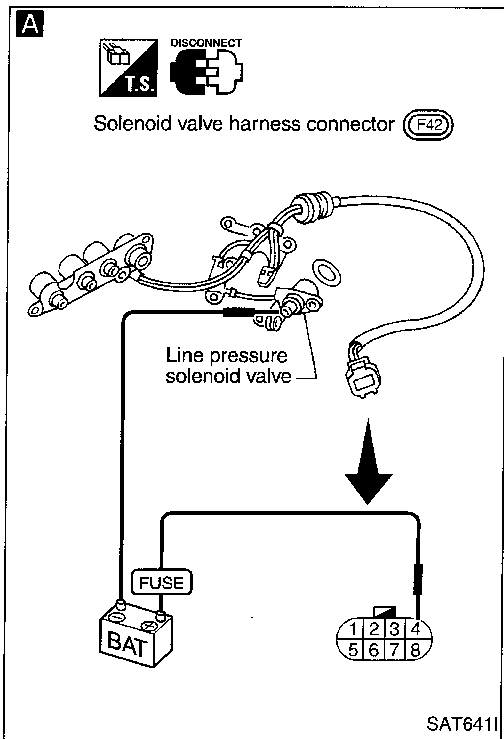
OK

INSPECTION END



TROUBLE DIAGNOSIS FOR DTC P0744

Improper Lock-up Operation (Cont'd)



GI

MA

EM

LC

EC

FE

CL

MT

AT

FA

RA

BR

ST

RS

BT

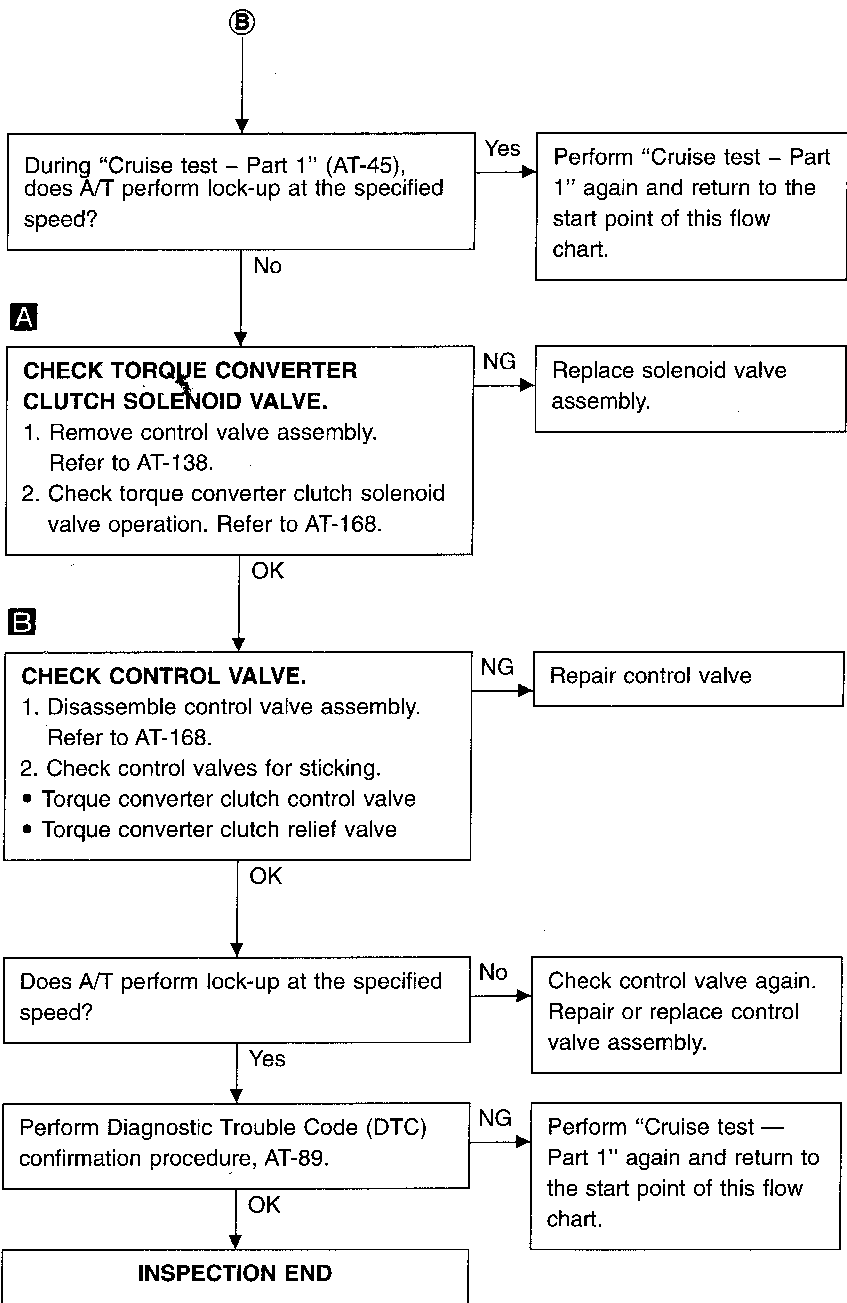
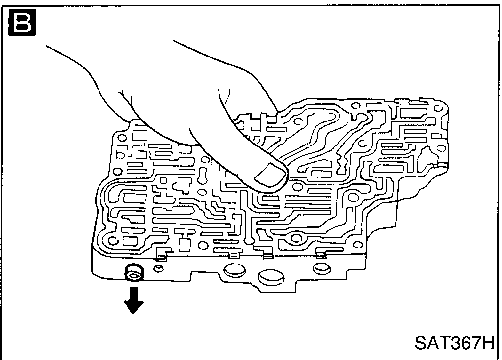
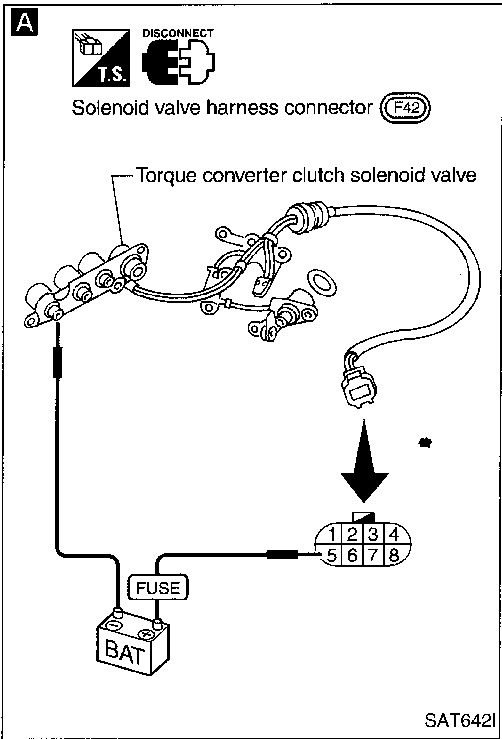
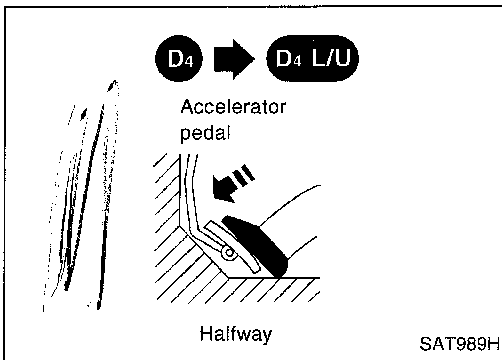
HA

EL

IX

TROUBLE DIAGNOSIS FOR DTC P0744

Improper Lock-up Operation (Cont'd)



TROUBLE DIAGNOSIS FOR DTC P0744

Improper Lock-up Operation (Cont'd)

COMPONENT INSPECTION

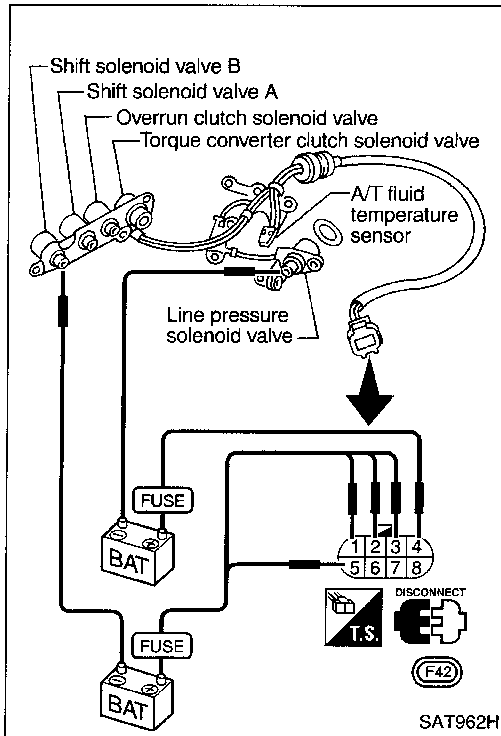
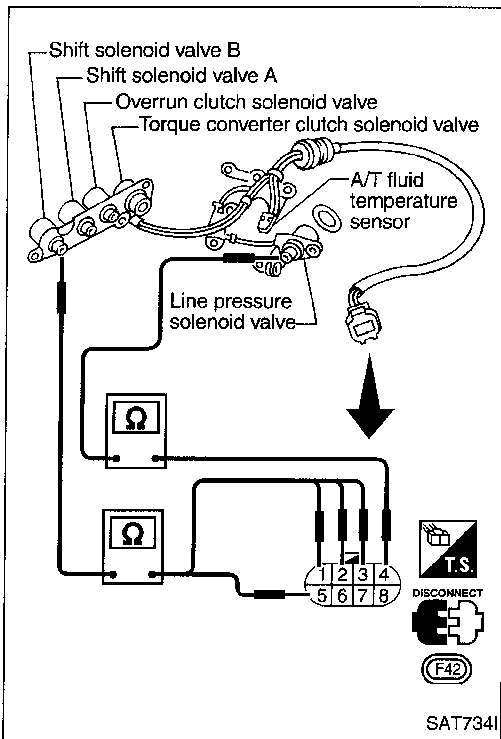
Solenoid valves

- For removal, refer to AT-138.

Resistance check

- Check resistance between two terminals.

Solenoid valve	Terminal No.	Resistance (Approx.)
Shift solenoid valve A	②	20 - 40Ω
Shift solenoid valve B	①	
Overrun clutch solenoid valve	③	Ground
Line pressure solenoid valve	④	
Torque converter clutch solenoid valve	⑤	10 - 16Ω



Operation check

- Check solenoid valve by listening for its operating sound while applying battery voltage to the terminal and ground.

GI

MA

EM

LC

EC

FE

CL

MT

AT

FA

RA

BR

ST

RS

BT

HA

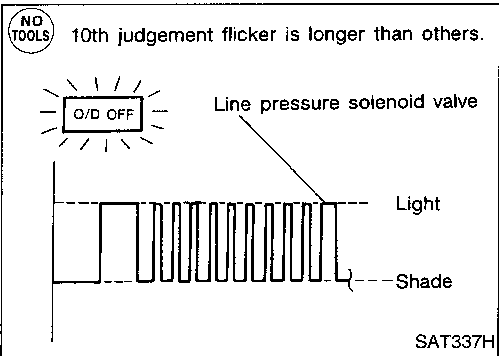
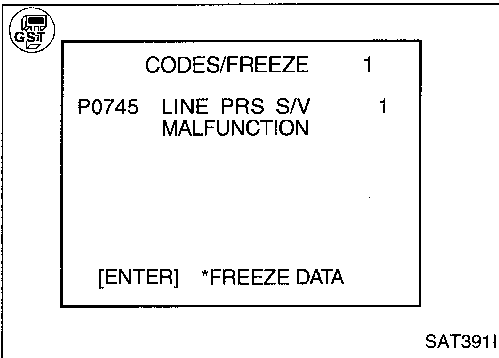
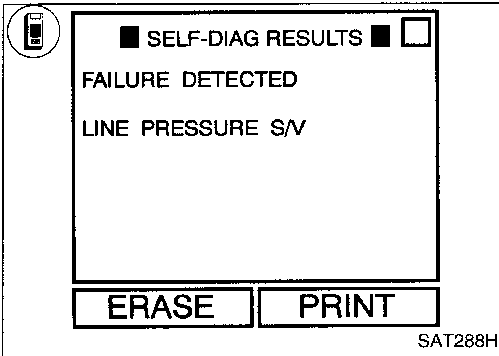
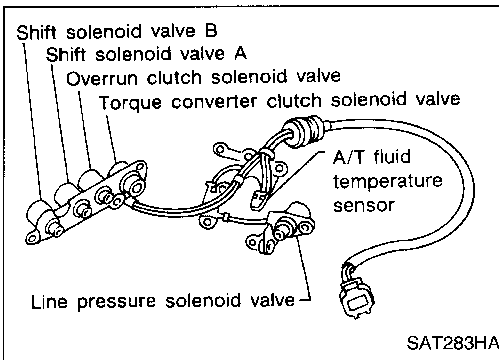
EL

IDX

Line Pressure Solenoid Valve

DESCRIPTION

The line pressure solenoid valve regulates the oil pump discharge pressure to suit the driving condition in response to a signal sent from the A/T control unit.



Diagnostic trouble code	Malfunction is detected when ...	Check item (Possible cause)
: LINE PRESSURE S/V : P0745 : 10th judgement flicker	A/T control unit detects an improper voltage drop when it tries to operate the solenoid valve.	<ul style="list-style-type: none"> • Harness or connectors (The solenoid circuit is open or shorted.) • Line pressure solenoid valve

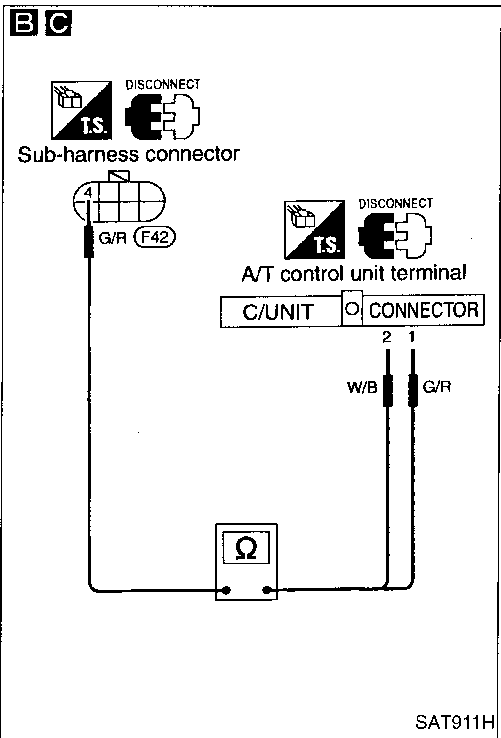
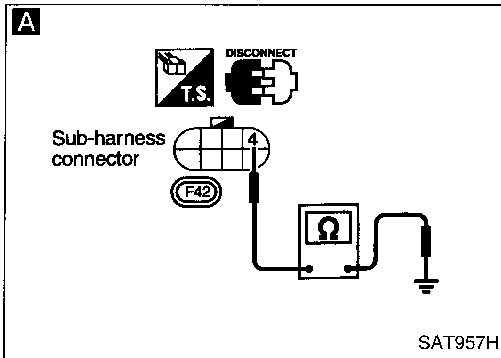
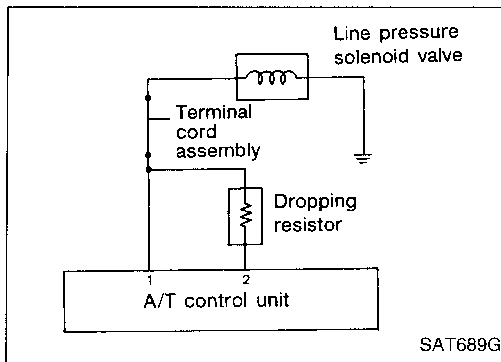
Diagnostic Trouble Code (DTC) confirmation procedure

After the repair, perform the following procedure to confirm the malfunction is eliminated.

- 1) Start engine.
 2) Select "SELF-DIAG RESULTS" mode with CONSULT.
 3) With brake pedal depressed, shift the lever from "P" → "N" → "D" → "N" → "P".
- OR
- 1) Start engine.
 2) With brake pedal depressed, shift the lever from "P" → "N" → "D" → "N" → "P".
 3) Select "MODE 7" with GST.
- OR
- 1) Start engine.
 2) With brake pedal depressed, shift the lever from "P" → "N" → "D" → "N" → "P".
 3) Perform self-diagnosis.
 Refer to SELF-DIAGNOSTIC PROCEDURE (No Tools), AT-27.

TROUBLE DIAGNOSIS FOR DTC P0745

Line Pressure Solenoid Valve (Cont'd)



A

CHECK GROUND CIRCUIT.

1. Turn ignition switch to "OFF" position.
2. Disconnect terminal cord assembly connector in engine compartment.
3. Check resistance between terminal ④ and ground.

Resistance: 2.5 - 5Ω

NG

1. Remove control valve assembly. Refer to AT-138.
2. Check the following items:
 - Line pressure solenoid valve
Refer to "Component Inspection" on next page.
 - Harness of terminal cord assembly for short or open

B

CHECK POWER SOURCE CIRCUIT.

1. Turn ignition switch to "OFF" position.
2. Disconnect A/T control unit harness connector.
3. Check resistance between terminal ④ and A/T control unit harness connector terminal ②.

Resistance: 11.2 - 12.8Ω

NG

Check the following items:

- Dropping resistor
Refer to "Component Inspection" on next page.
- Harness for short or open between A/T control unit terminal ② and terminal cord assembly (Main harness)

C

CHECK POWER SOURCE CIRCUIT.

1. Turn ignition switch to "OFF" position.
2. Check resistance between terminal ④ and A/T control unit harness connector terminal ①.

Resistance: Approximately 0Ω

3. Reinstall any part removed.

NG

Repair or replace harness between A/T control unit terminal ① and terminal cord assembly.

OK

Perform Diagnostic Trouble Code (DTC) confirmation procedure, AT-94.

NG

1. Perform A/T control unit input/output signal inspection.
2. If NG, recheck A/T control unit pin terminals for damage or loose connection with harness connector.

OK

INSPECTION END

GI
MA
EM
LC
EC
FE
CL
MT
AT
FA
RA
BR
ST
RS
BT
HA
EL
DX

TROUBLE DIAGNOSIS FOR DTC P0745

Line Pressure Solenoid Valve (Cont'd) COMPONENT INSPECTION

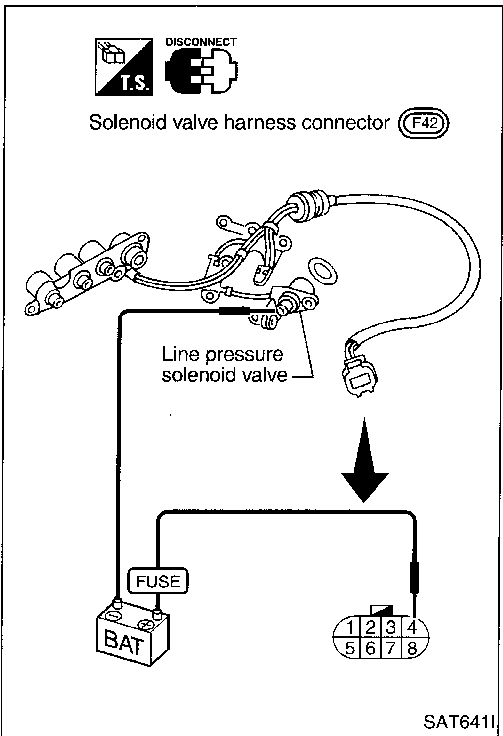
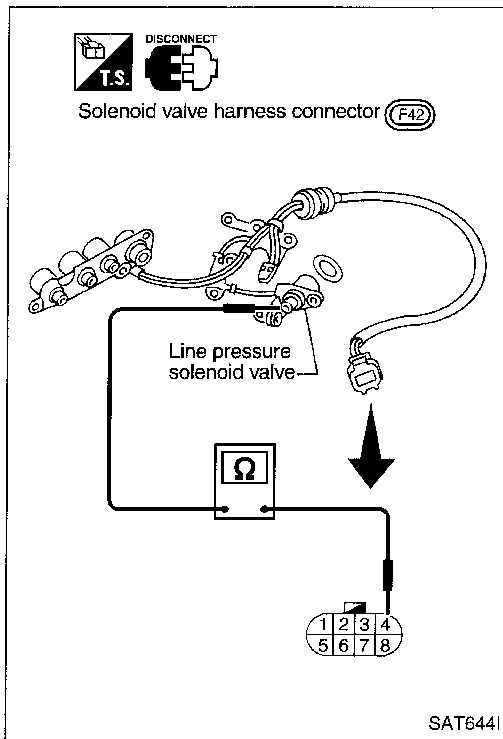
Line pressure solenoid valve

- For removal, refer to AT-138.

Resistance check

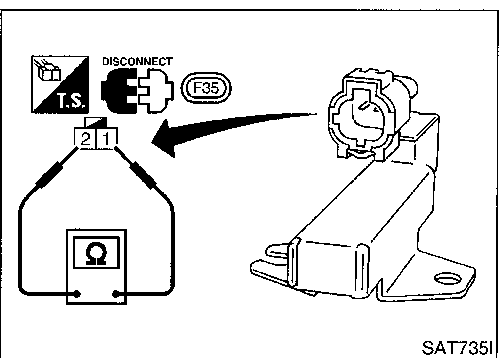
- Check resistance between two terminals.

Solenoid valve	Terminal No.		Resistance (Approx.)
Line pressure solenoid valve	④	Ground	2.5 - 5Ω



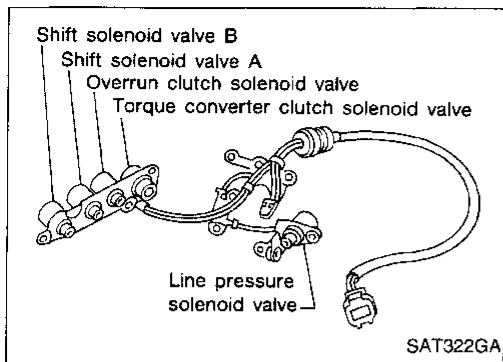
Operation check

- Check solenoid valve by listening for its operating sound while applying battery voltage to the terminal and ground.



Dropping resistor

- Check resistance between two terminals.
Resistance: 11.2 - 12.8Ω

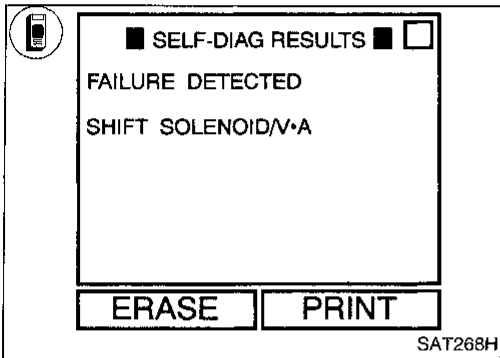


Shift Solenoid Valve A

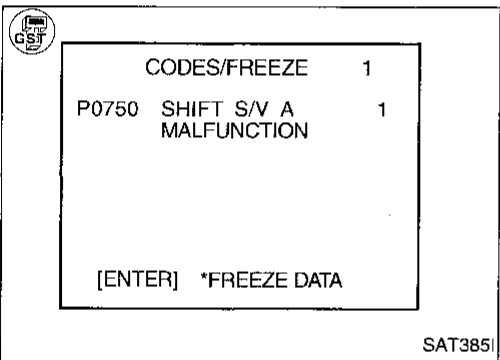
DESCRIPTION

Shift solenoid valves A and B are turned "ON" or "OFF" by the A/T control unit in response to signals sent from the inhibitor switch, vehicle speed and throttle position sensors. Gears will then be shifted to the optimum position.

Gear position	1	2	3	4
Shift solenoid valve A	ON	OFF	OFF	ON
Shift solenoid valve B	ON	ON	OFF	OFF



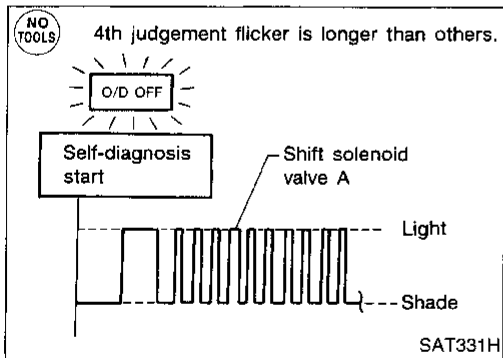
Diagnostic trouble code	Malfunction is detected when ...	Check item (Possible cause)
SHIFT SOLENOID/V-A	A/T control unit detects an improper voltage drop when it tries to operate the solenoid valve.	<ul style="list-style-type: none"> Harness or connectors (The solenoid circuit is open or shorted.) Shift solenoid valve A
P0750		
4th judgement flicker		



Diagnostic Trouble Code (DTC) confirmation procedure

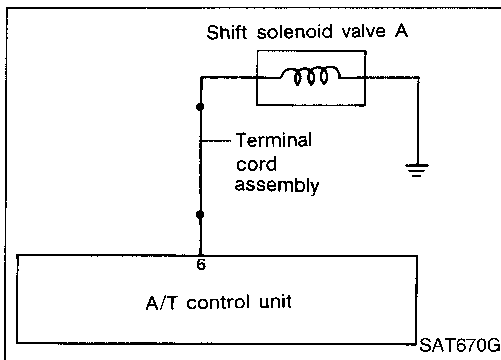
After the repair, perform the following procedure to confirm the malfunction is eliminated.

- | | | |
|--|----|---|
| <p>CONSULT</p> <ol style="list-style-type: none"> Start engine. Select "SELF-DIAG RESULTS" mode with CONSULT. Drive vehicle in D₁ → D₂ position. | OR | <p>GST</p> <ol style="list-style-type: none"> Start engine. Drive vehicle in D₁ → D₂ position. Select "MODE 7" with GST. |
| OR | | <p>NO TOOLS</p> <ol style="list-style-type: none"> Start engine. Drive vehicle in D₁ → D₂ position. Perform self-diagnosis. Refer to SELF-DIAGNOSTIC PROCEDURE (No Tools), AT-27. |



TROUBLE DIAGNOSIS FOR DTC P0750

Shift Solenoid Valve A (Cont'd)



A

CHECK GROUND CIRCUIT.

1. Turn ignition switch to "OFF" position.
2. Disconnect terminal cord assembly connector in engine compartment.
3. Check resistance between terminal ② and ground.

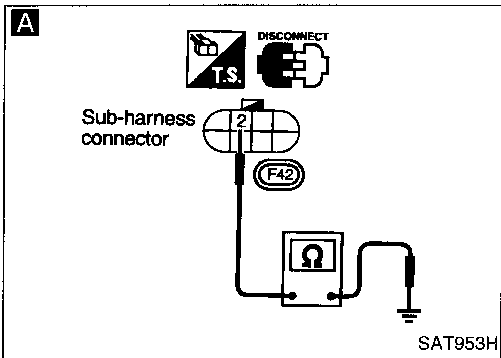
Resistance: 20 - 40Ω

NG

1. Remove control valve assembly. Refer to AT-138.
2. Check the following items:

- Shift solenoid valve A Refer to "Component Inspection" on next page.
- Harness of terminal cord assembly for short or open

OK



B

CHECK POWER SOURCE CIRCUIT.

1. Turn ignition switch to "OFF" position.
2. Disconnect A/T control unit harness connector.
3. Check resistance between terminal ② and A/T control unit harness connector terminal ⑥.

Resistance:

Approximately 0Ω

4. Reinstall any part removed.

NG

Repair or replace harness between A/T control unit and terminal cord assembly. (Main harness)

OK

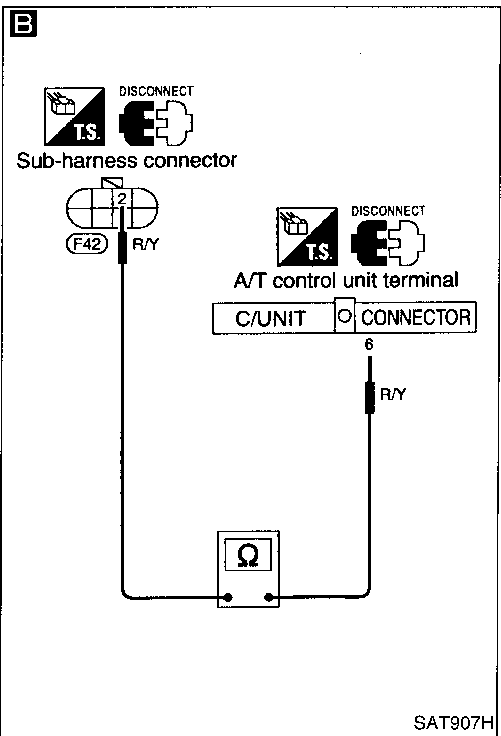
Perform Diagnostic Trouble Code (DTC) confirmation procedure, AT-97.

NG

1. Perform A/T control unit input/output signal inspection.
2. If NG, recheck A/T control unit pin terminals for damage or loose connection with harness connector.

OK

INSPECTION END



TROUBLE DIAGNOSIS FOR DTC P0750

Shift Solenoid Valve A (Cont'd) COMPONENT INSPECTION

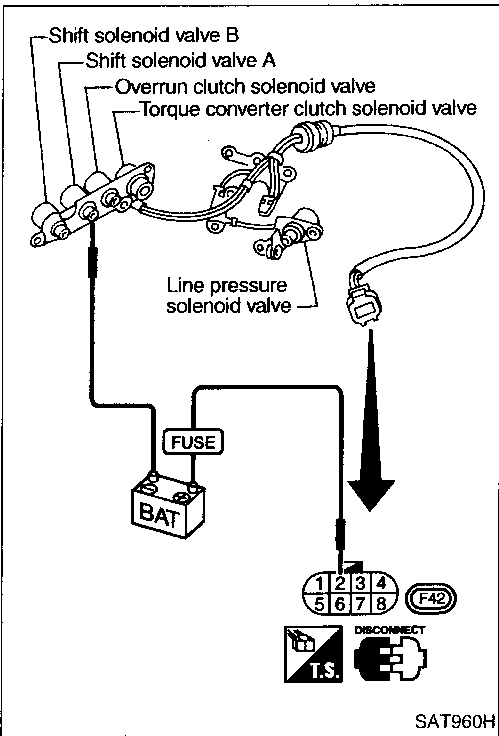
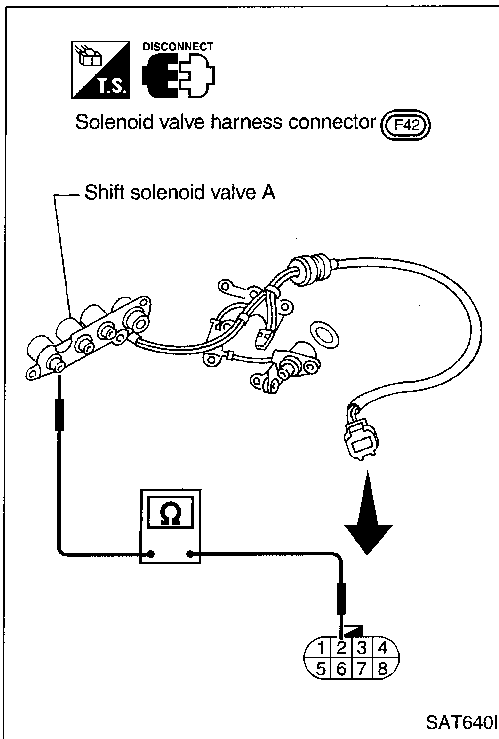
Shift solenoid valve A

- For removal, refer to AT-138.

Resistance check

- Check resistance between two terminals.

Solenoid valve	Terminal No.		Resistance (Approx.)
Shift solenoid valve A	②	Ground	20 - 40Ω



Operation check

- Check solenoid valve by listening for its operating sound while applying battery voltage to the terminal and ground.

GI

MA

EM

LC

EC

FE

CL

MT

AT

FA

RA

BR

ST

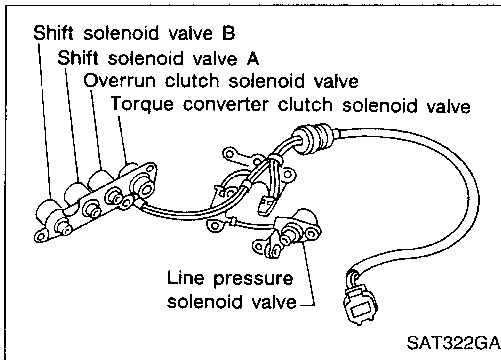
RS

BT

HA

EL

IDX

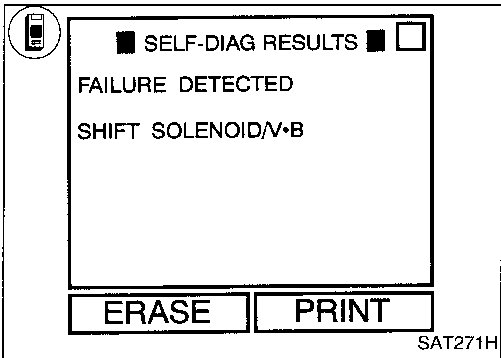


Shift Solenoid Valve B

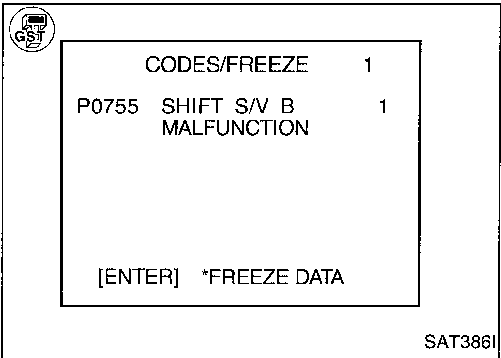
DESCRIPTION

Shift solenoid valves A and B are turned "ON" or "OFF" by the A/T control unit in response to signals sent from the inhibitor switch, vehicle speed and throttle position sensors. Gears will then be shifted to the optimum position.

Gear position	1	2	3	4
Shift solenoid valve A	ON	OFF	OFF	ON
Shift solenoid valve B	ON	ON	OFF	OFF



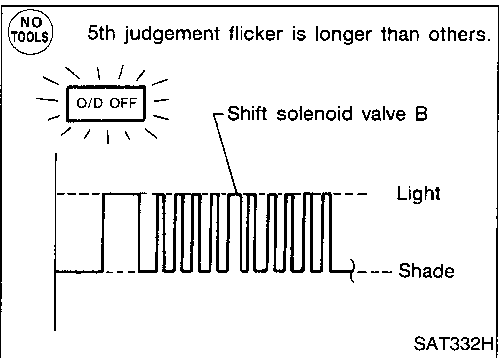
Diagnostic trouble code	Malfunction is detected when ...	Check item (Possible cause)
<ul style="list-style-type: none"> : SHIFT SOLENOID/V•B : P0755 : 5th judgement flicker 	A/T control unit detects an improper voltage drop when it tries to operate the solenoid valve.	<ul style="list-style-type: none"> • Harness or connectors (The solenoid circuit is open or shorted.) • Shift solenoid valve B



Diagnostic Trouble Code (DTC) confirmation procedure

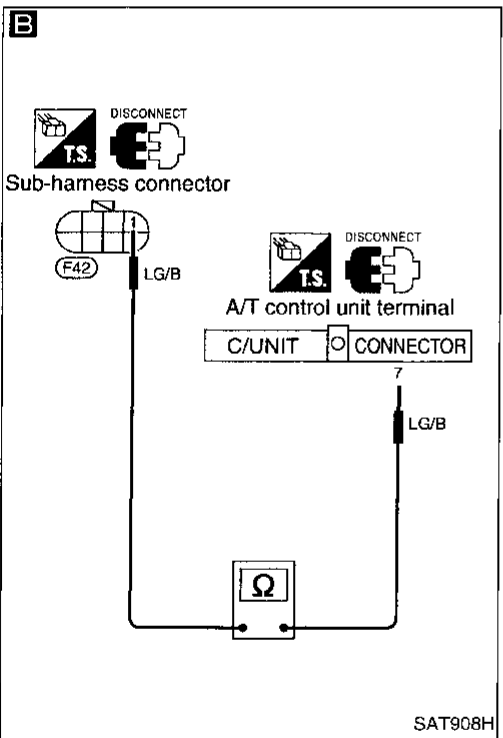
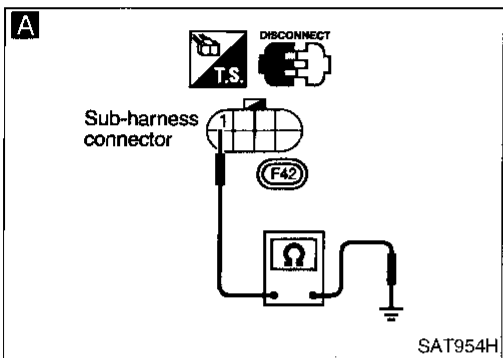
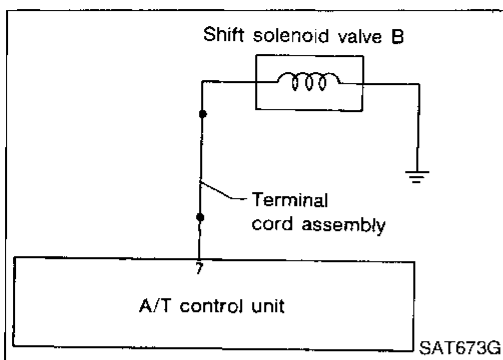
After the repair, perform the following procedure to confirm the malfunction is eliminated.

- | | | |
|--|----|---|
| <ul style="list-style-type: none"> 1) Start engine. 2) Select "SELF-DIAG RESULTS" mode with CONSULT. 3) Drive vehicle in D₁ → D₂ → D₃ position. | OR | <ul style="list-style-type: none"> 1) Start engine. 2) Drive vehicle in D₁ → D₂ → D₃ position. 3) Select "MODE 7" with GST. |
| OR | | <ul style="list-style-type: none"> 1) Start engine. 2) Drive vehicle in D₁ → D₂ → D₃ position. 3) Perform self-diagnosis. <p>Refer to SELF-DIAGNOSTIC PROCEDURE (No Tools), AT-27.</p> |



TROUBLE DIAGNOSIS FOR DTC P0755

Shift Solenoid Valve B (Cont'd)



A

CHECK GROUND CIRCUIT.

1. Turn ignition switch to "OFF" position.
 2. Disconnect terminal cord assembly connector in engine compartment.
 3. Check resistance between terminal ① and ground.
- Resistance: 20 - 40Ω**

NG

1. Remove control valve assembly. Refer to AT-138.
2. Check the following items:
 - Shift solenoid valve B Refer to "Component Inspection" on next page.
 - Harness of terminal cord assembly for short or open

OK

B

CHECK POWER SOURCE CIRCUIT.

1. Turn ignition switch to "OFF" position.
 2. Disconnect A/T control unit harness connector.
 3. Check resistance between terminal ① and A/T control unit harness connector terminal ⑦.
- Resistance: Approximately 0Ω**
4. Reinstall any part removed.

NG

1. Repair or replace harness between A/T control unit and terminal cord assembly. (Main harness)

OK

Perform Diagnostic Trouble Code (DTC) confirmation procedure, AT-100.

NG

1. Perform A/T control unit input/output signal inspection.
2. If NG, recheck A/T control unit pin terminals for damage or loose connection with harness connector.

OK

INSPECTION END

GI

NA

EM

LC

EC

FE

CL

MT

AT

FA

RA

BR

ST

RS

BT

HA

EL

IDX

TROUBLE DIAGNOSIS FOR DTC P0755

Shift Solenoid Valve B (Cont'd) COMPONENT INSPECTION

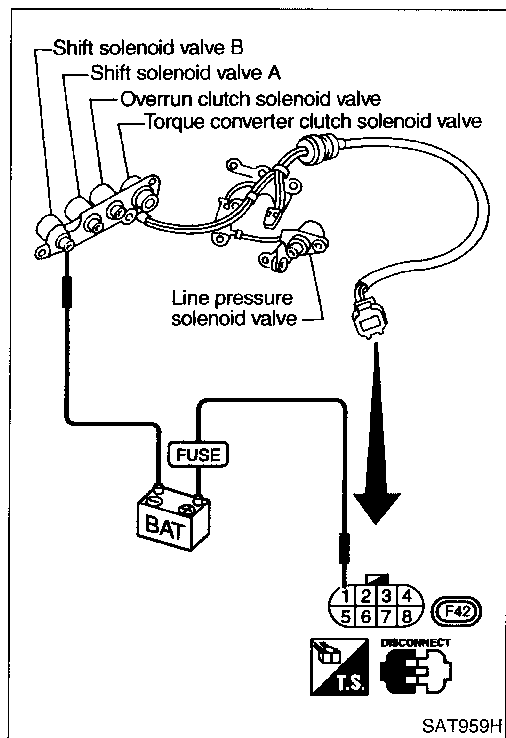
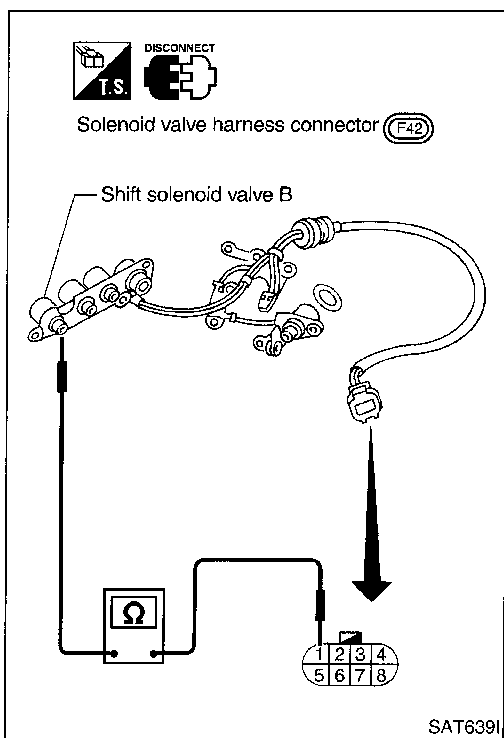
Shift solenoid valve B

- For removal, refer to AT-138.

Resistance check

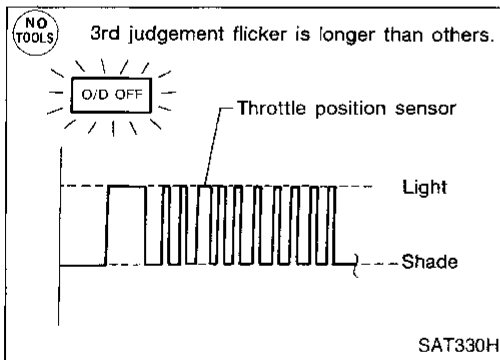
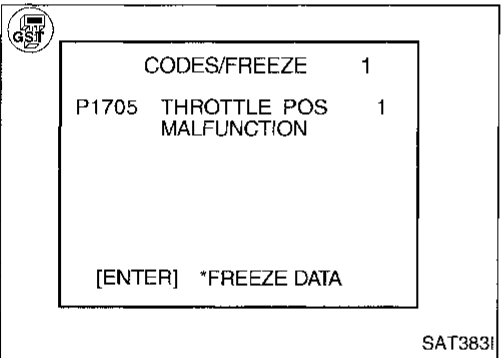
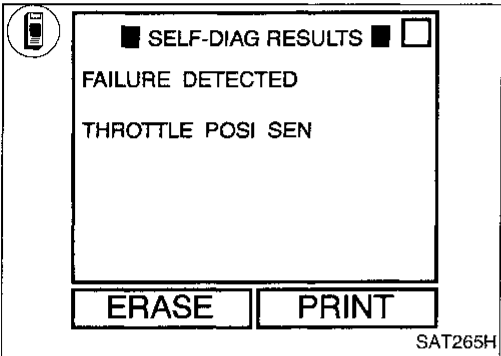
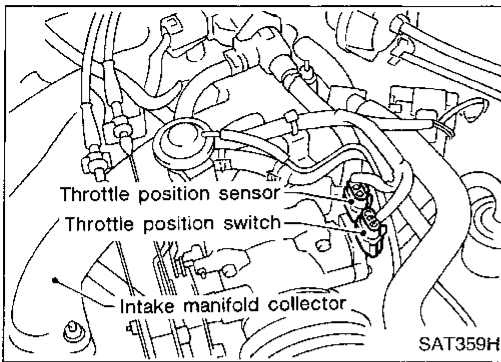
- Check resistance between two terminals.

Solenoid valve	Terminal No.		Resistance (Approx.)
	①	Ground	
Shift solenoid valve B	①	Ground	20 - 40Ω



Operation check

- Check solenoid valve by listening for its operating sound while applying battery voltage to the terminal and ground.



Throttle Position Sensor

DESCRIPTION

The throttle position sensor detects the throttle valve position and sends a signal to the A/T control unit.

Diagnostic trouble code	Malfunction is detected when ...	Check item (Possible cause)
: THROTTLE POSITION : P1705 : 3rd judgement flicker	A/T control unit receives an excessively low or high voltage from the sensor.	<ul style="list-style-type: none"> Harness or connectors (The sensor circuit is open or shorted.) Throttle position sensor

Diagnostic Trouble Code (DTC) confirmation procedure

After the repair, perform the following procedure to confirm the malfunction is eliminated.

- 1) Start engine.
 2) Select "SELF-DIAG RESULTS" mode with CONSULT.
 3) Drive vehicle under the following conditions:
 Selector lever in "D", vehicle speed higher than 10 km/h (6 MPH), throttle opening greater than 1/2 of the full throttle position and driving for more than 3 seconds.

OR

- 1) Start engine.
 2) Drive vehicle under the following conditions:
 Selector lever in "D", vehicle speed higher than 10 km/h (6 MPH), throttle opening greater than 1/2 of the full throttle position and driving for more than 3 seconds.
 3) Select "MODE 7" with GST.

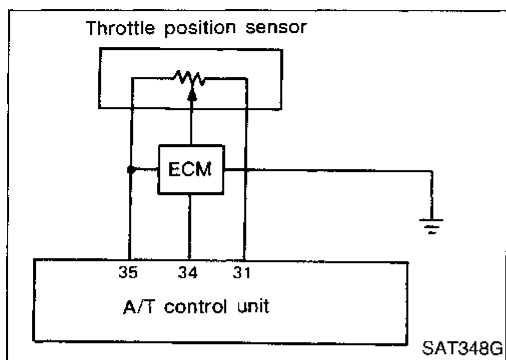
OR

- 1) Start engine.
 2) Drive vehicle under the following conditions:
 Selector lever in "D", vehicle speed higher than 10 km/h (6 MPH), throttle opening greater than 1/2 of the full throttle position and driving for more than 3 seconds.
 3) Perform self-diagnosis.
 Refer to SELF-DIAGNOSTIC PROCEDURE (No Tools), AT-27.

GI
MA
EM
LC
EC
FE
CL
MT
AT
FA
RA
BR
ST
RS
BT
HA
EL
IDX

TROUBLE DIAGNOSIS FOR DTC P1705

Throttle Position Sensor (Cont'd)

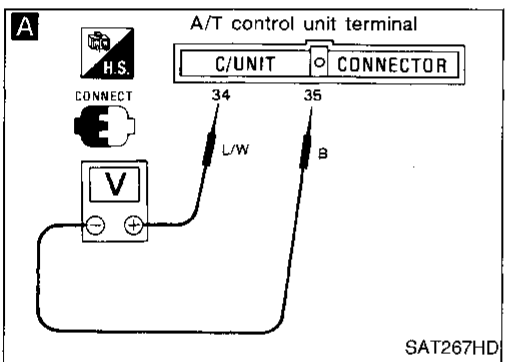


A

☆ MONITOR	☆ NO FAIL	
VHCL/S SE-A/T	0km/h	
VHCL/S SE-MTR	5km/h	
THRTL POS SEN	0.4V	
FLUID TEMP SE	1.2V	
BATTERY VOLT	13.4V	
ENGINE SPEED	1024rpm	
OVERDRIVE SW	O N	
P/N POSI SW	O N	
R POSITION SW	OFF	

RECORD

SAT076H



Perform diagnostic test mode II (self-diagnostic results) for engine control. Refer to EC section ["Malfunction Indicator Lamp (MIL)", "ON BOARD DIAGNOSTIC SYSTEM DESCRIPTION"].

NG

Check throttle position sensor circuit for engine control. Refer to EC section ["Throttle Position Sensor (DTC : 0403)", "TROUBLE DIAGNOSIS FOR DTC P0120"].

OK

A

CHECK INPUT SIGNAL.

- Turn ignition switch to "ON" position. (Do not start engine.)
- Select "ECU INPUT SIGNALS" in Data Monitor.
- Read out the value of "THRTL POS SEN".

Voltage:

Fully-closed throttle:
Approximately 0.5V
Fully-open throttle:
Approximately 4V

OR



- Turn ignition switch to "ON" position. (Do not start engine.)
- Check voltage between A/T control unit terminals (34) and (35) while accelerator pedal is depressed slowly.

Voltage:

Fully-closed throttle valve:
Approximately 0.5V
Fully-open throttle valve:
Approximately 4V
(Voltage rises gradually in response to throttle position)

NG

Check harness for short or open between ECM and A/T control unit regarding throttle position sensor circuit. (Main harness)

OK

CHECK THROTTLE POSITION SWITCH. Refer to "TROUBLE DIAGNOSIS FOR DTC P0705", "CHECK THROTTLE POSITION SWITCH CIRCUIT", AT-62.

NG

Repair or replace damaged parts.

OK

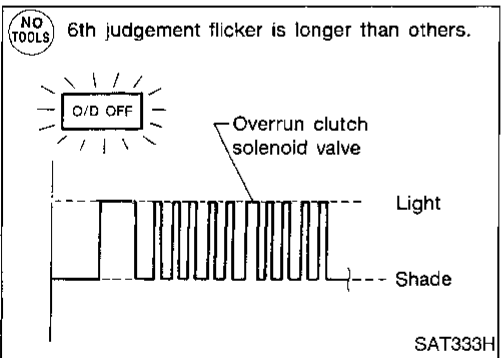
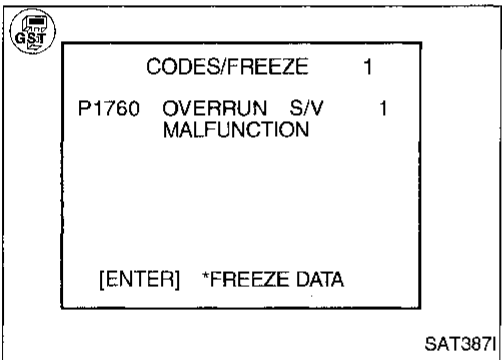
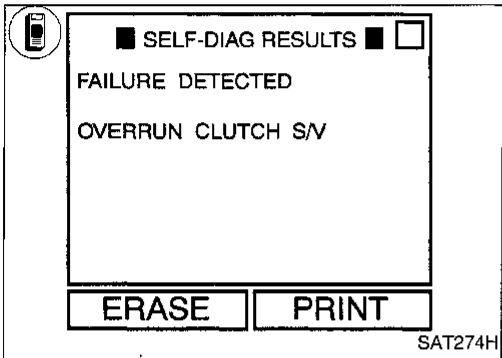
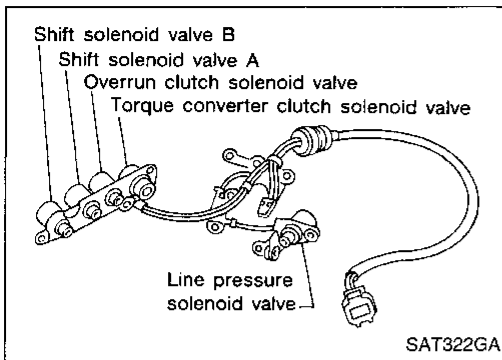
Perform Diagnostic Trouble Code (DTC) confirmation procedure, AT-103.

NG

- Perform A/T control unit input/output signal inspection.
- If NG, recheck A/T control unit pin terminals for damage or loose connection with harness connector.

OK

INSPECTION END



Overrun Clutch Solenoid Valve

DESCRIPTION

The overrun clutch solenoid valve is activated by the A/T control unit in response to signals sent from the inhibitor switch, overdrive control switch, vehicle speed and throttle position sensors. The overrun clutch operation will then be controlled.

Diagnostic trouble code	Malfunction is detected when ...	Check item (Possible cause)
<ul style="list-style-type: none"> : OVERRUN CLUTCH S/V : P1760 : 6th judgement flicker 	A/T control unit detects an improper voltage drop when it tries to operate the solenoid valve.	<ul style="list-style-type: none"> • Harness or connectors (The solenoid circuit is open or shorted.) • Overrun clutch solenoid valve

Diagnostic Trouble Code (DTC) confirmation procedure

After the repair, perform the following procedure to confirm the malfunction is eliminated.

- 1) Start engine.
 2) Select "SELF-DIAG RESULTS" mode with CONSULT.
 3) Drive vehicle under the following conditions:
 Selector lever in "D", overdrive control switch in "OFF" position and vehicle speed higher than 10 km/h (6 MPH).

OR

- 1) Start engine.
 2) Drive vehicle under the following conditions:
 Selector lever in "D", overdrive control switch in "OFF" position and vehicle speed higher than 10 km/h (6 MPH).
 3) Select "MODE 7" with GST.

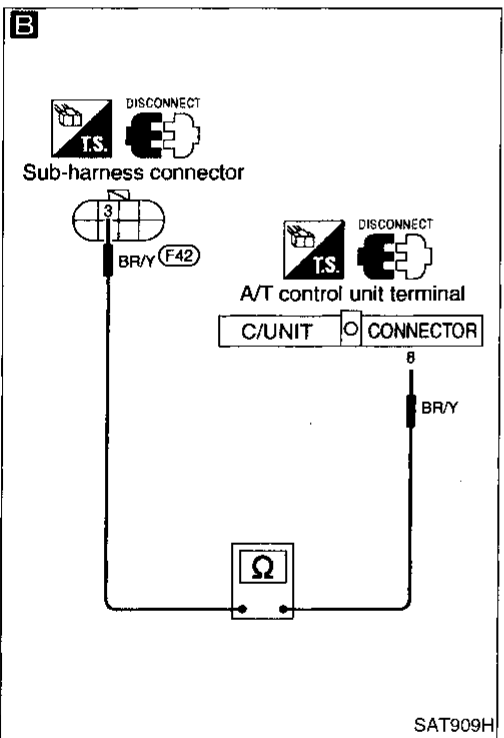
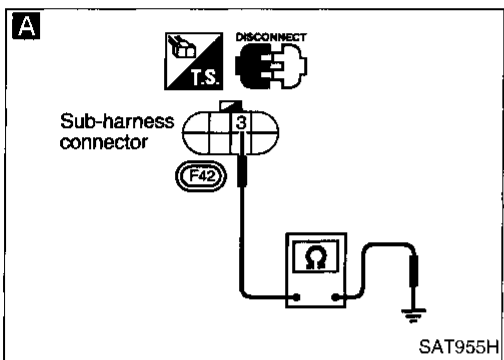
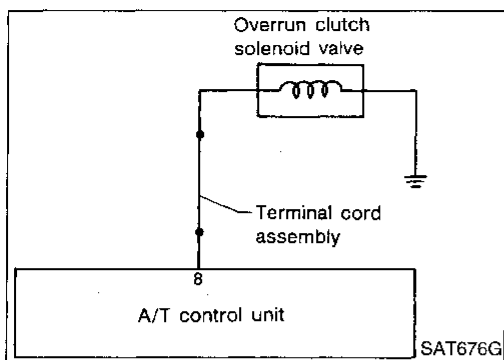
OR

- 1) Start engine.
 2) Drive vehicle under the following conditions:
 Selector lever in "D", overdrive control switch in "OFF" position and vehicle speed higher than 10 km/h (6 MPH).
 3) Perform self-diagnosis.
 Refer to SELF-DIAGNOSTIC PROCEDURE (No Tools), AT-27.

GI
 MA
 EM
 LC
 EC
 FE
 CL
 MT
 AT
 FA
 RA
 BR
 ST
 RS
 BT
 HA
 EL
 IDX

TROUBLE DIAGNOSIS FOR DTC P1760

Overrun Clutch Solenoid Valve (Cont'd)



A

CHECK GROUND CIRCUIT.

1. Turn ignition switch to "OFF" position.
2. Disconnect terminal cord assembly connector in engine compartment.
3. Check resistance between terminal ③ and ground.

Resistance: 20 - 40Ω

NG

1. Remove control valve assembly. Refer to AT-138.
2. Check the following items:
 - Overrun clutch solenoid valve
 Refer to "Component Inspection" on next page.
 - Harness of terminal cord assembly for short or open

OK

B

CHECK POWER SOURCE CIRCUIT.

1. Turn ignition switch to "OFF" position.
2. Disconnect A/T control unit harness connector.
3. Check resistance between terminal ③ and A/T control unit harness connector terminal ⑧.

Resistance: Approximately 0Ω

4. Reinstall any part removed.

NG

Repair or replace harness between A/T control unit and terminal cord assembly. (Main harness)

OK

Perform Diagnostic Trouble Code (DTC) confirmation procedure, AT-105.

NG

1. Perform A/T control unit input/output signal inspection.
2. If NG, recheck A/T control unit pin terminals for damage or loose connection with harness connector.

INSPECTION END

TROUBLE DIAGNOSIS FOR DTC P1760

Overrun Clutch Solenoid Valve (Cont'd)

COMPONENT INSPECTION

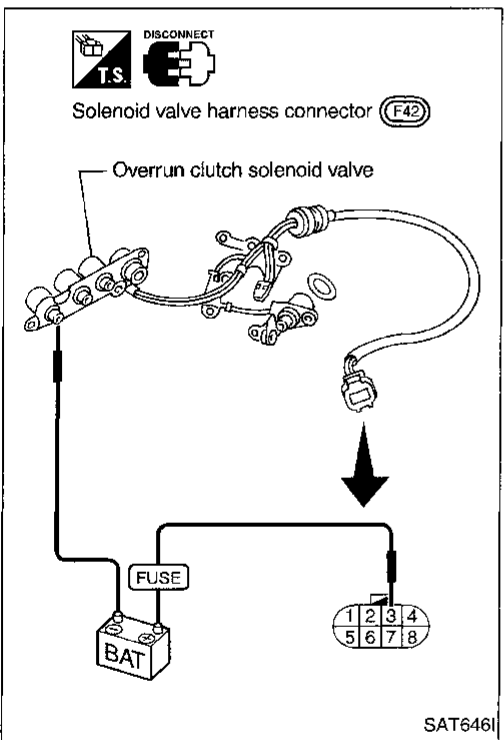
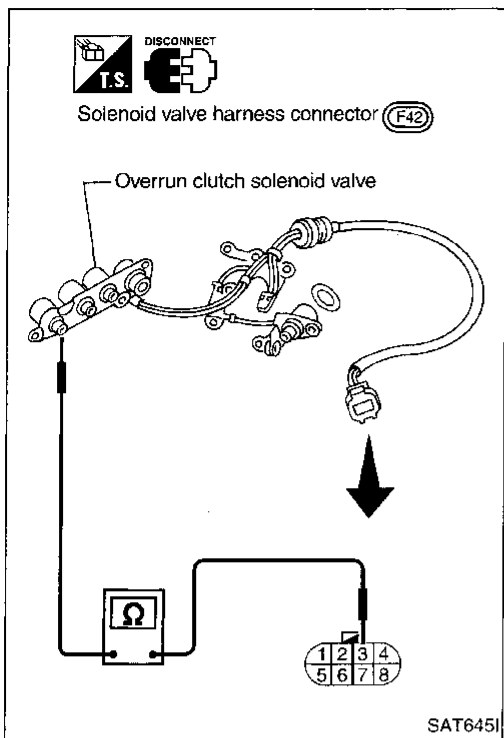
Overrun clutch solenoid valve

- For removal, refer to AT-138.

Resistance check

- Check resistance between two terminals.

Solenoid valve	Terminal No.		Resistance (Approx.)
Overrun clutch solenoid valve	③	Ground	20 - 40Ω



Operation check

- Check solenoid valve by listening for its operating sound while applying battery voltage to the terminal and ground.

GI

MA

EM

LC

EC

FE

CL

MT

AT

FA

RA

BR

ST

RS

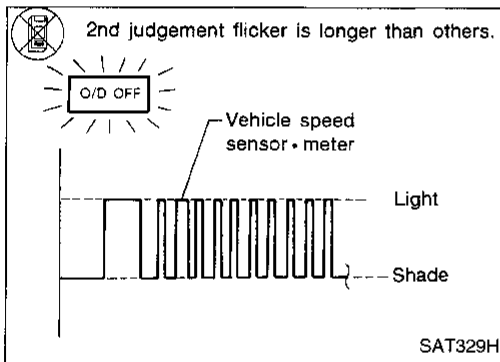
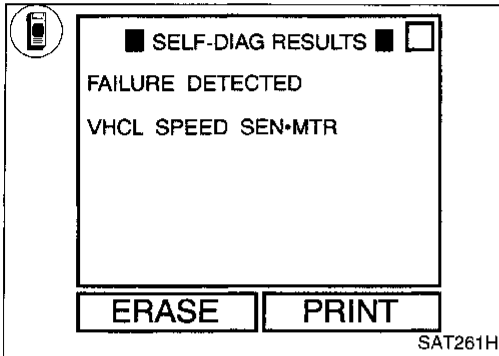
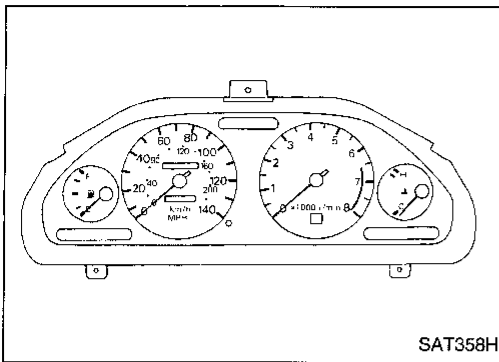
BT

HA

EL

IDX



TROUBLE DIAGNOSIS FOR VHCL SPEED SEN·MTR



Vehicle Speed Sensor·MTR



DESCRIPTION

The vehicle speed sensor·MTR is built into the speedometer assembly. The sensor functions as an auxiliary device to the revolution sensor when it is malfunctioning. The A/T control unit will then use a signal sent from the vehicle speed sensor·MTR.

Diagnostic trouble code	Malfunction is detected when ...	Check item (Possible cause)
 : VHCL SPEED SEN·MTR	A/T control unit does not receive the proper voltage signal from the sensor.	<ul style="list-style-type: none"> • Harness or connectors (The sensor circuit is open or shorted.) • Vehicle speed sensor
 : 2nd judgement flicker		

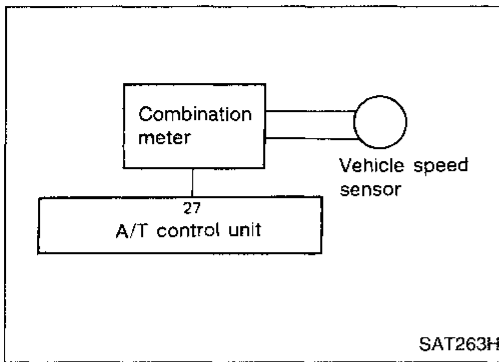
Diagnostic Trouble Code (DTC) confirmation procedure

After the repair, perform the following procedure to confirm the malfunction is eliminated.

- | | | |
|--|--|----|
|  | <ol style="list-style-type: none"> 1) Start engine. 2) Select "SELF-DIAG RESULTS" mode with CONSULT. 3) Drive vehicle under the following conditions:
Selector lever in "D" and vehicle speed higher than 20 km/h (12 MPH). | OR |
|  | <ol style="list-style-type: none"> 1) Start engine. 2) Drive vehicle under the following conditions:
Selector lever in "D" and vehicle speed higher than 20 km/h (12 MPH). 3) Perform self-diagnosis.
Refer to SELF-DIAGNOSTIC PROCEDURE (No Tools), AT-27. | |

TROUBLE DIAGNOSIS FOR VHCL SPEED SEN·MTR

Vehicle Speed Sensor·MTR (Cont'd)

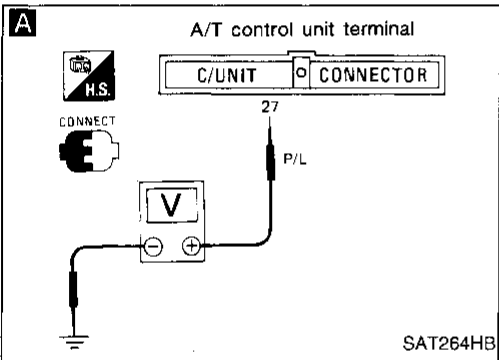


A

☆ MONITOR	☆ NO FAIL
VHCL/S SE·A/T	0km/h
VHCL/S SE·MTR	5km/h
THRTL POS SEN	0.4V
FLUID TEMP SE	1.2V
BATTERY VOLT	13.4V
ENGINE SPEED	1024rpm
OVERDRIVE SW	O N
P/N POSI SW	O N
R POSITION SW	OFF

RECORD

SAT076H



A

CHECK INPUT SIGNAL.

1. Start engine.

2. Select "ECU INPUT SIGNALS" in Data Monitor.

3. Read out the value of "VHCL/S SE·MTR" while driving. Check the value changes according to driving speed.

OR

1. Start engine.

2. Check voltage between A/T control unit terminal 27 and ground while driving at 2 to 3 km/h (1 to 2 MPH) for 1 m (3 ft) or more.

Voltage:
Voltage varies between less than 1V and more than 4.5V.

NG

Check the following items:

- Vehicle speed sensor and ground circuit for vehicle speed sensor Refer to EL section ("METERS AND GAUGES").
- Harness for short or open between A/T control unit and vehicle speed sensor (Main harness)

OK

Perform Diagnostic Trouble Code (DTC) confirmation procedure, AT-108.

NG

1. Perform A/T control unit input/output signal inspection.

2. If NG, recheck A/T control unit pin terminals for damage or loose connection with harness connector.

OK

INSPECTION END

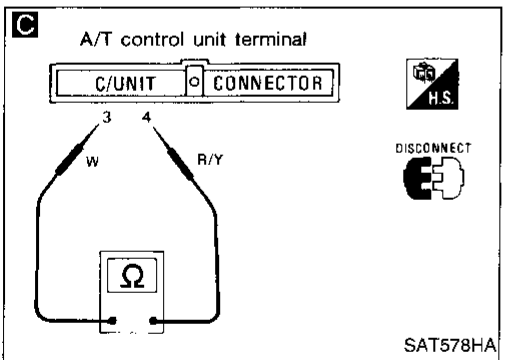
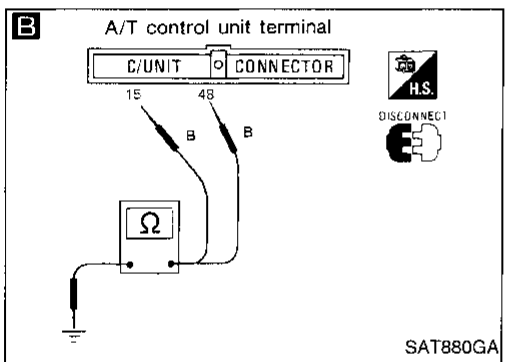
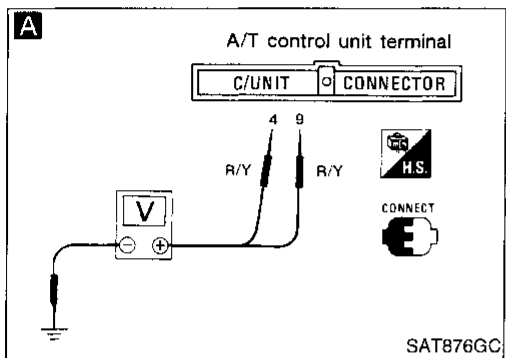
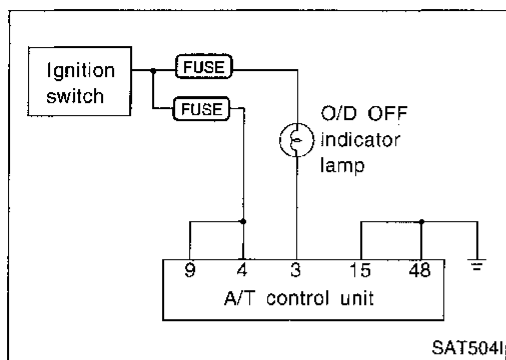
GT
MA
EM
LC
EC
FE
CL
MT
AT
FA
PA
BR
ST
RS
BT
HA
EL
IDX

DIAGNOSTIC PROCEDURES FOR SYMPTOMS

1. O/D OFF Indicator Lamp Does Not Come On

SYMPTOM:

O/D OFF indicator lamp does not come on for about 2 seconds when turning ignition switch to "ON".



A

CHECK A/T CONTROL UNIT POWER SOURCE.

1. Turn ignition switch to "ON" position. (Do not start engine.)
2. Check voltage between A/T control unit terminals ④, ⑨ and ground. **Battery voltage should exist.**

NG → Check the following items:

- Harness for short or open between ignition switch and A/T control unit (Main harness)
- Ignition switch and fuse Refer to EL section ("POWER SUPPLY ROUTING").

OK ↓

B

CHECK A/T CONTROL UNIT GROUND CIRCUIT.

1. Turn ignition switch to "OFF" position.
2. Disconnect A/T control unit harness connector.
3. Check resistance between A/T control unit terminals ⑮, ④⑧ and ground. **Resistance: Approximately 0Ω**

NG → Check harness for short or open between A/T control unit and ground.

OK ↓

C

CHECK LAMP CIRCUIT.

1. Turn ignition switch to "OFF" position.
2. Check resistance between A/T control unit terminals ③ and ④. **Resistance: 50 - 100Ω**
3. Reinstall any part removed.

NG → Check the following items:

- O/D OFF indicator lamp Refer to EL section.
- Harness for short or open between ignition switch and O/D OFF indicator lamp (Main harness)
- Harness for short or open between O/D OFF indicator lamp and A/T control unit

OK ↓

Check again.

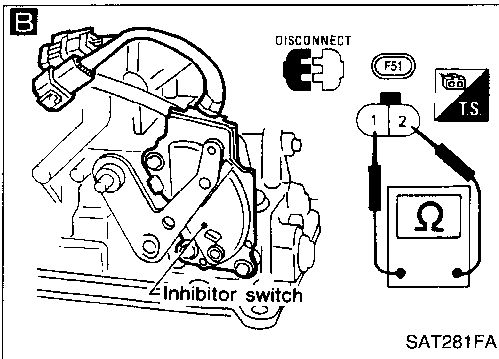
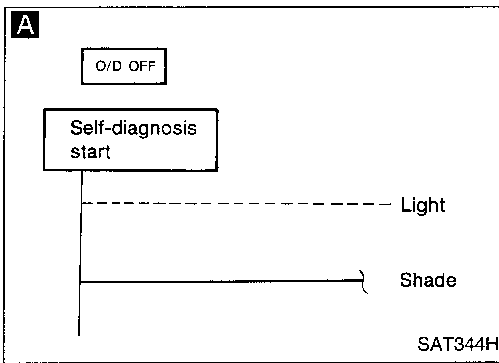
NG →

1. Perform A/T control unit input/output signal inspection.
2. If NG, recheck A/T control unit pin terminals for damage or loose connection with harness connector.

OK ↓

INSPECTION END

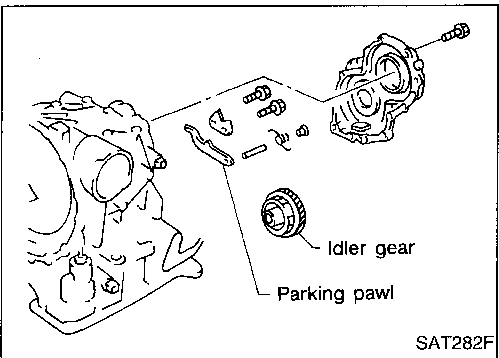
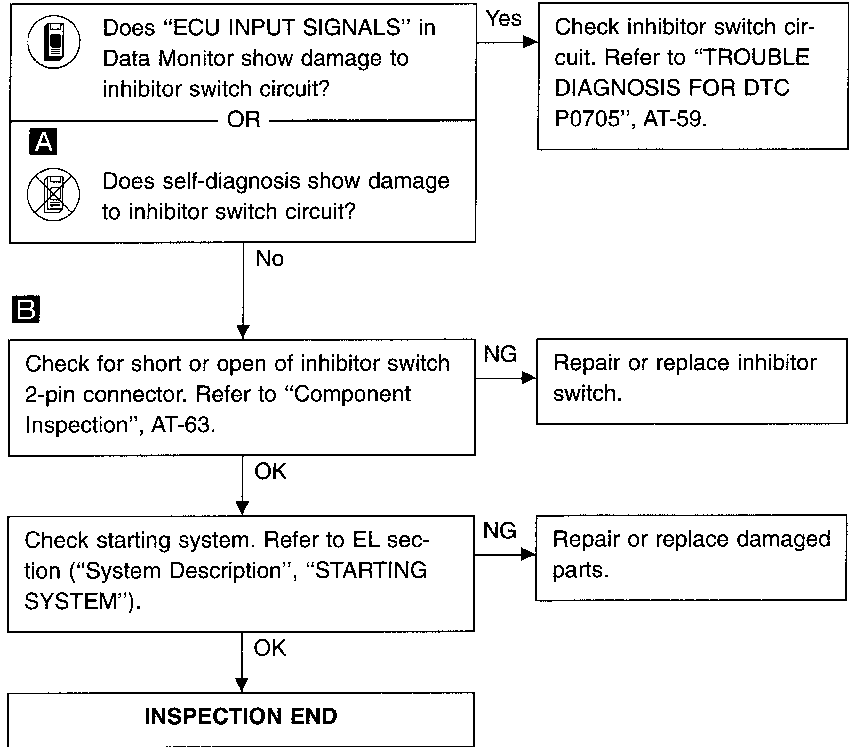
DIAGNOSTIC PROCEDURES FOR SYMPTOMS



2. Engine Cannot Be Started In "P" and "N" Position

SYMPTOM:

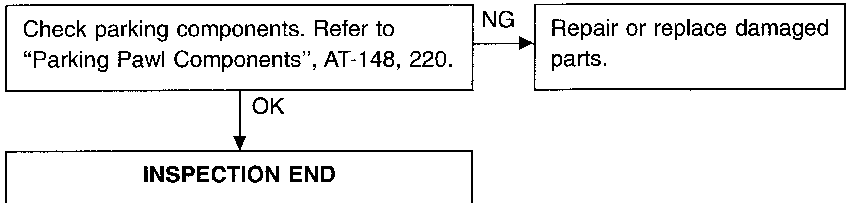
- Engine cannot be started with selector lever in "P" or "N" position.
- Engine can be started with selector lever in "D", "2", "1" or "R" position.



3. In "P" Position, Vehicle Moves Forward Or Backward When Pushed

SYMPTOM:

Vehicle moves when it is pushed forward or backward with selector lever in "P" position.

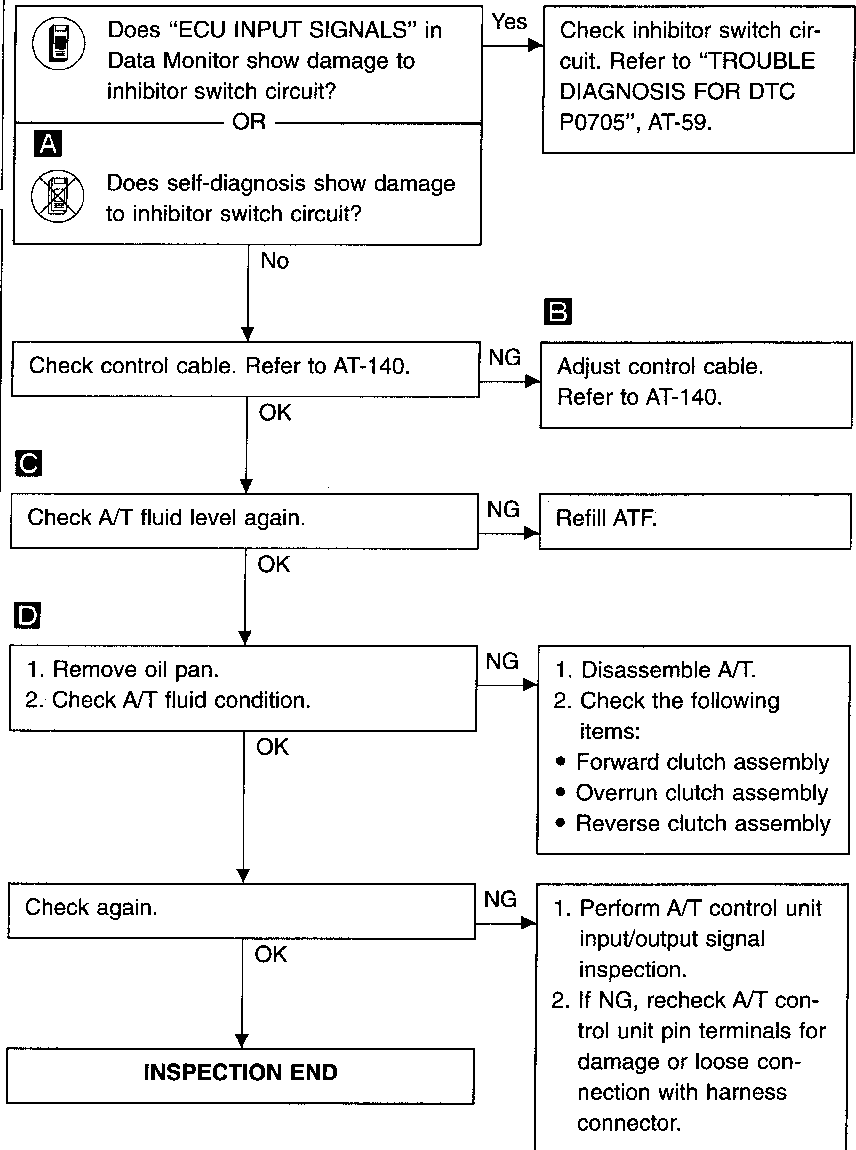
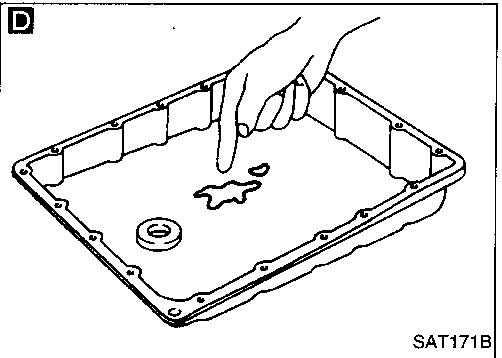
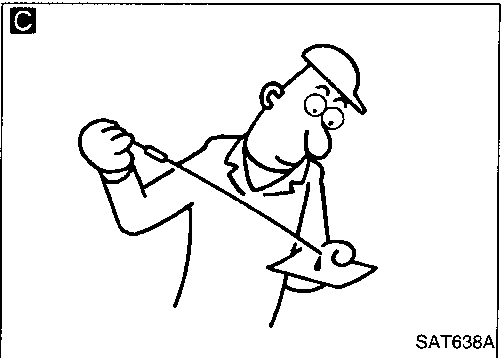
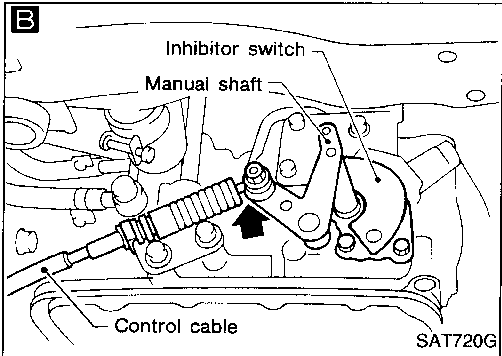
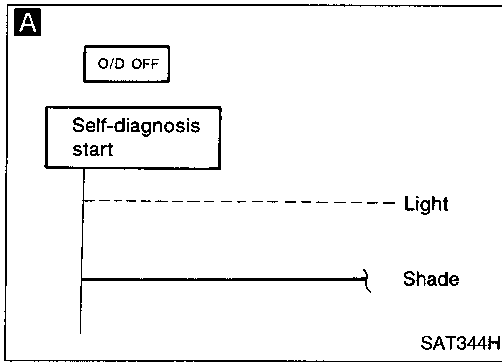


GI
MA
EM
LC
EC
FE
CL
MT
AT
FA
RA
BR
ST
RS
BT
HA
EL
DX

4. In "N" Position, Vehicle Moves

SYMPTOM:

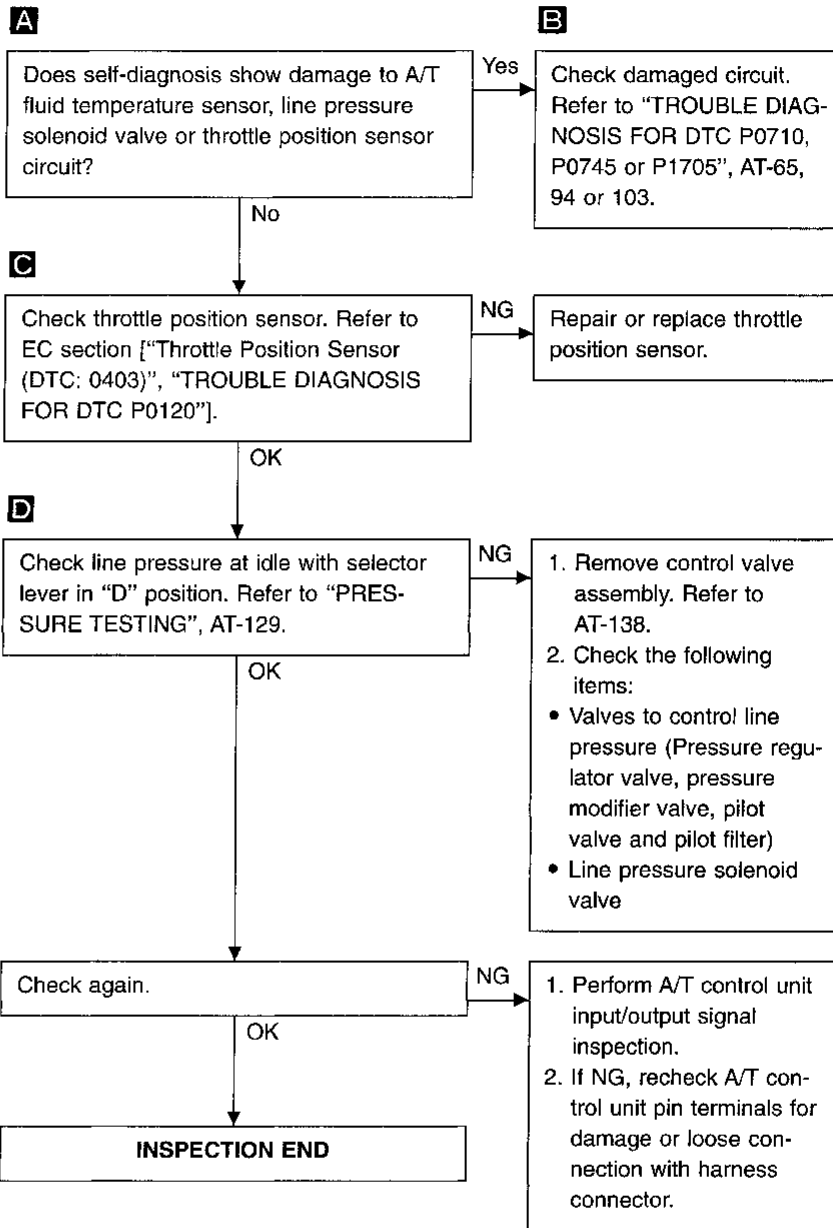
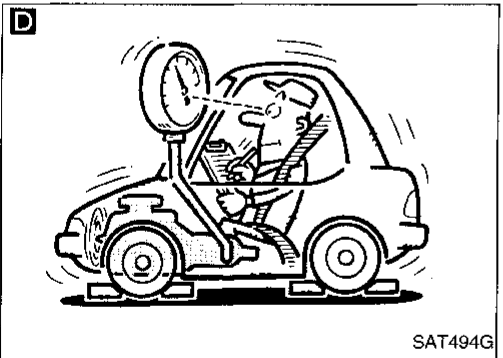
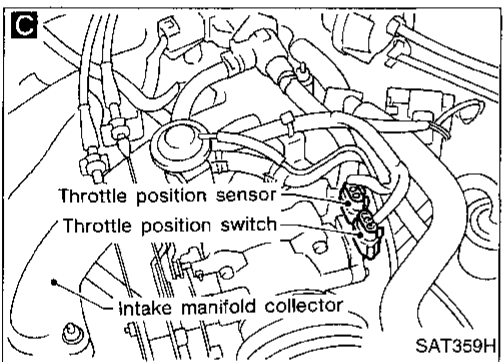
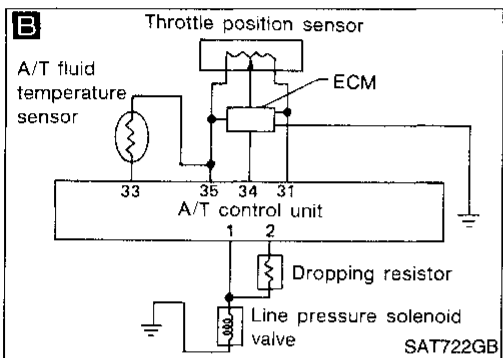
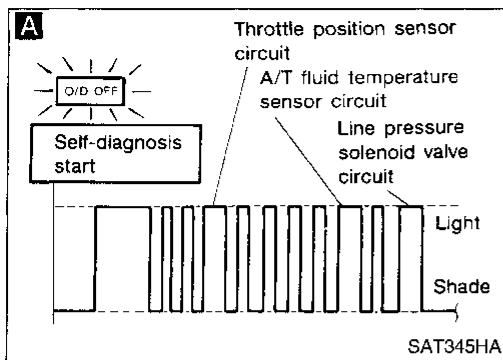
Vehicle moves forward or backward when selecting "N" position.



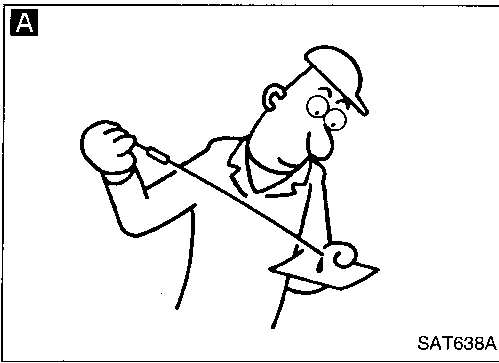
5. Large Shock. "N" → "R" Position

SYMPTOM:

There is large shock when changing from "N" to "R" position.



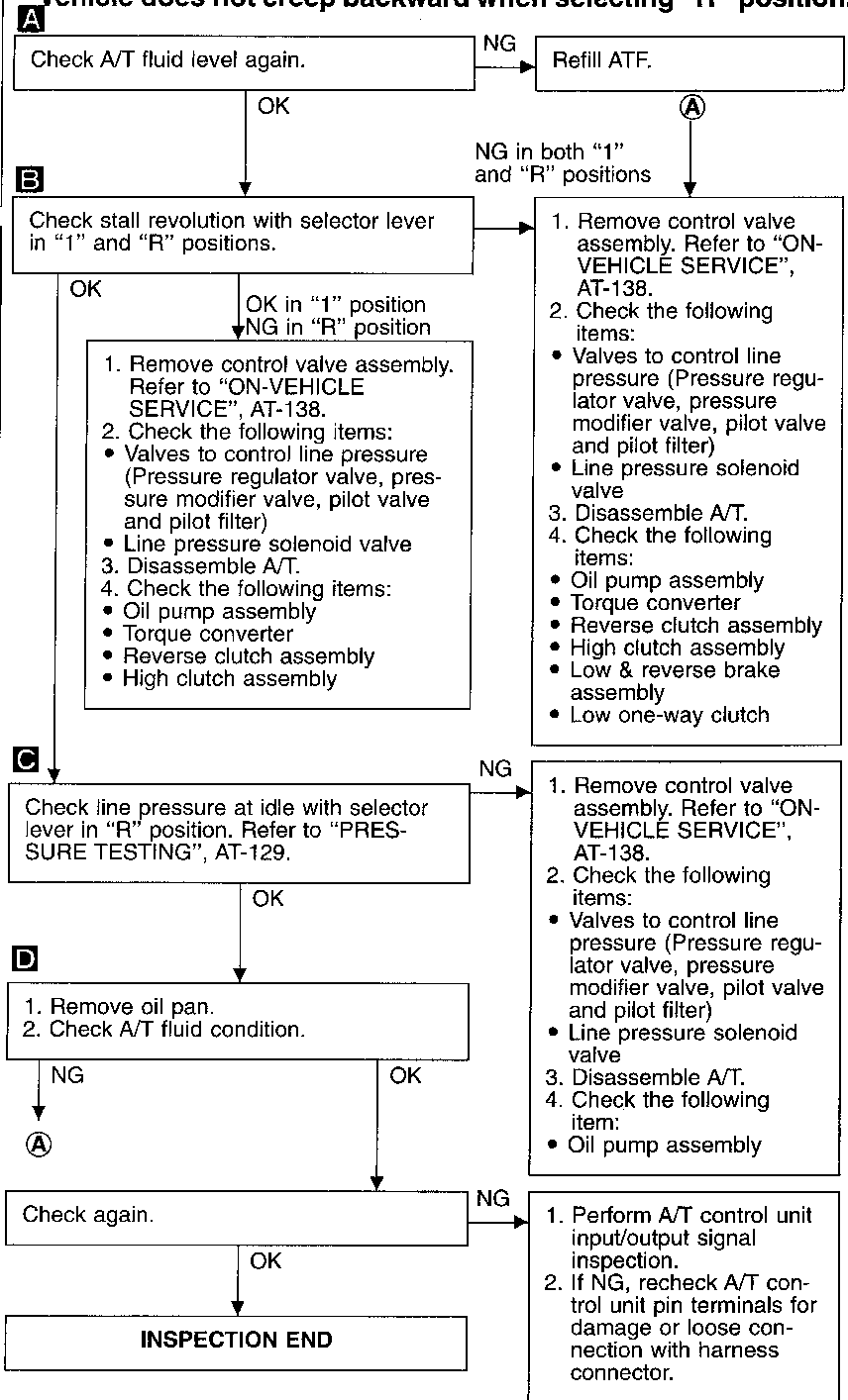
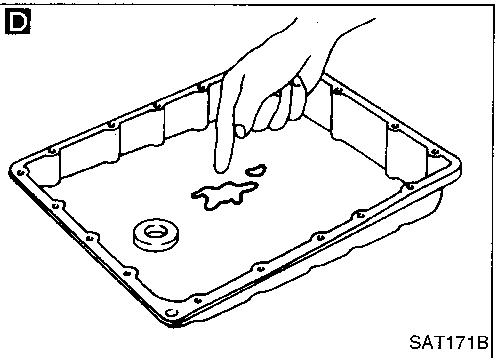
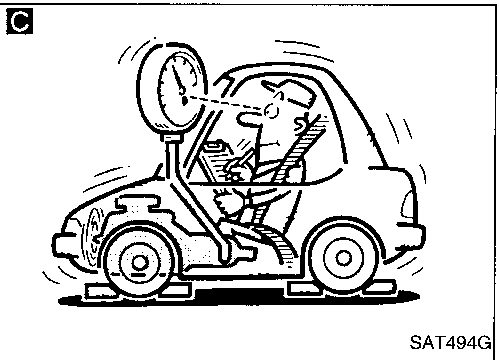
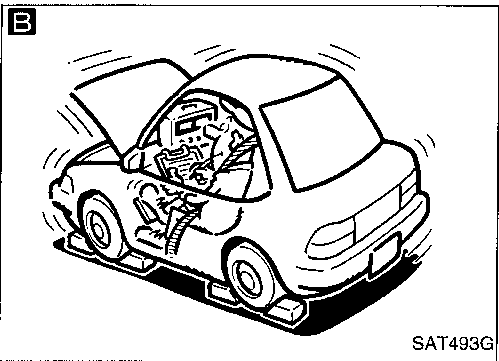
GI
 MA
 EM
 LC
 EC
 FE
 CL
 MT
AT
 FA
 RA
 BR
 ST
 RS
 BT
 HA
 EL
 IDX

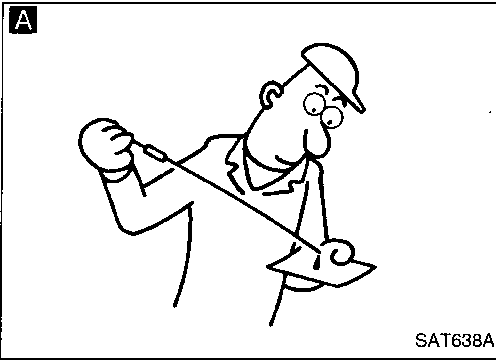


6. Vehicle Does Not Creep Backward In "R" Position

SYMPTOM:

Vehicle does not creep backward when selecting "R" position.

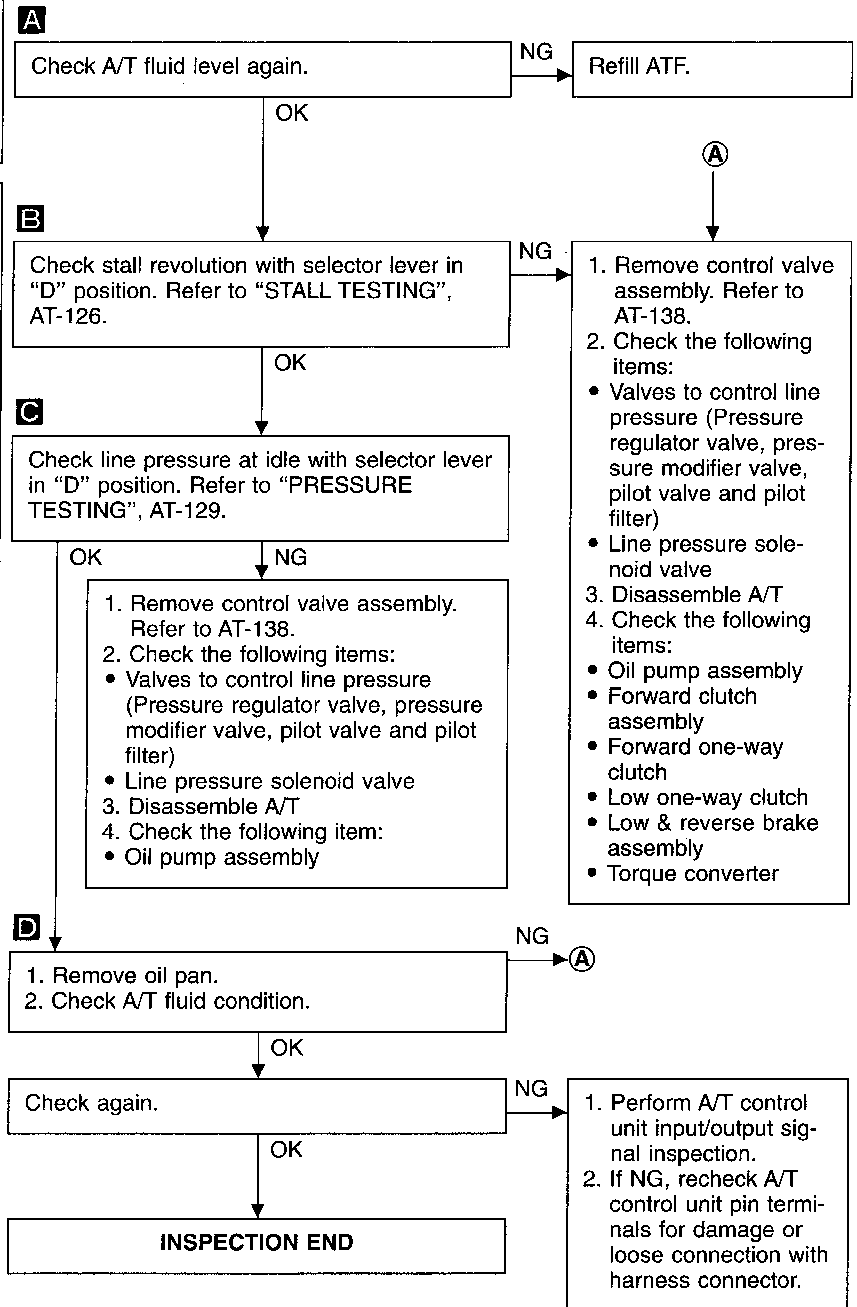
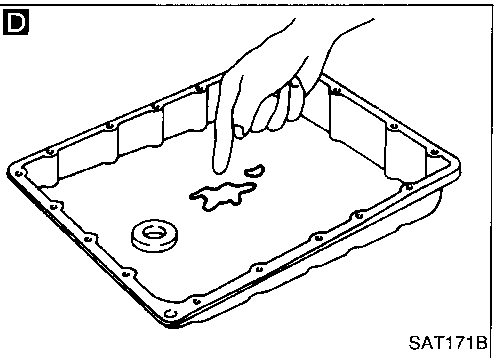
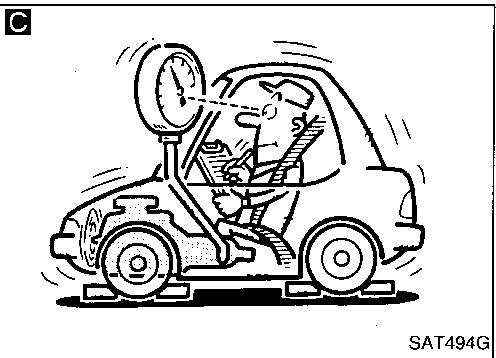
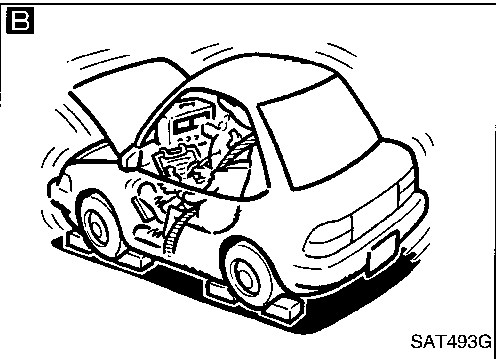




7. Vehicle Does Not Creep Forward In "D", "2" Or "1" Position

SYMPTOM:

Vehicle does not creep forward when selecting "D", "2" or "1" position.

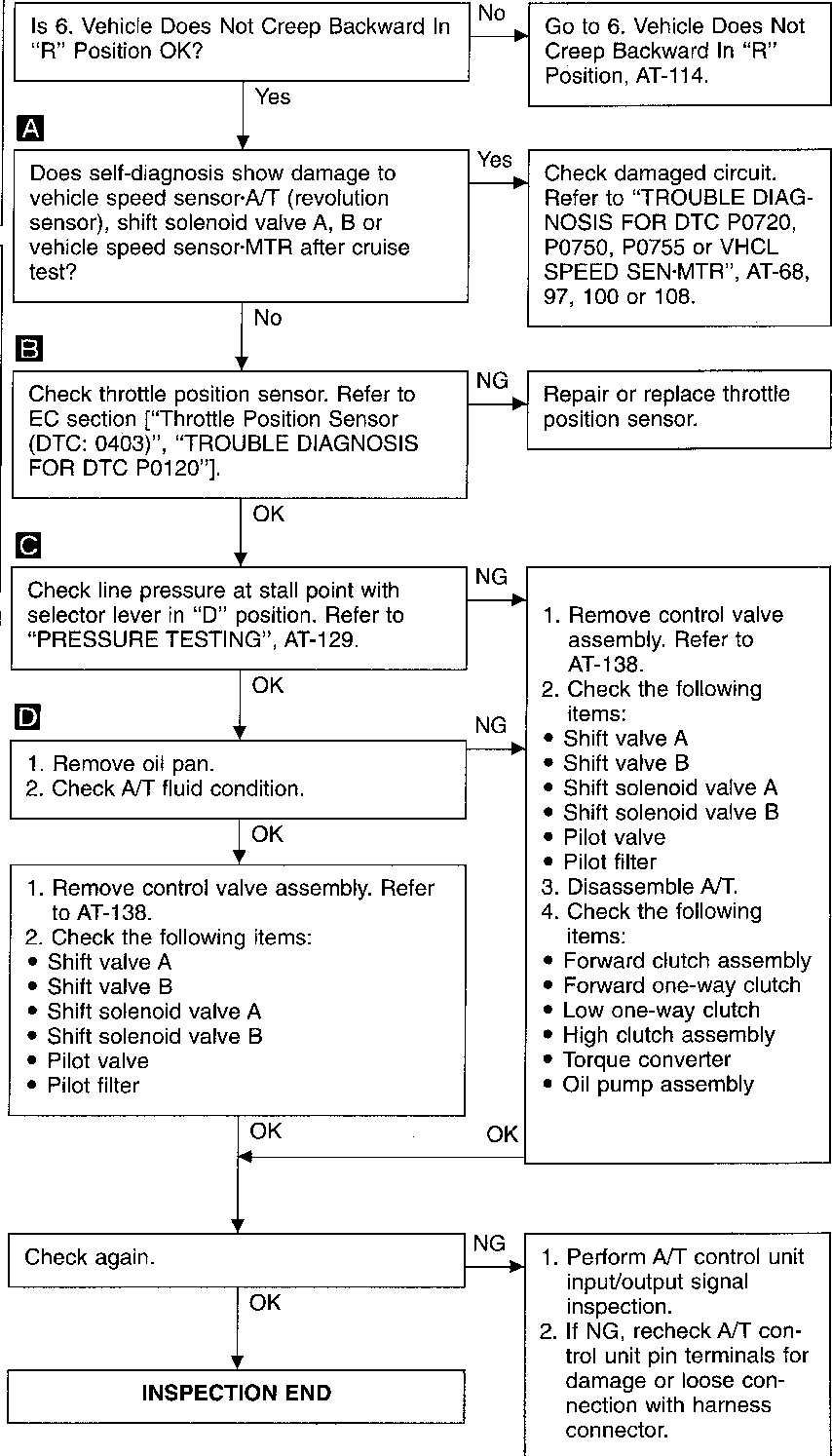
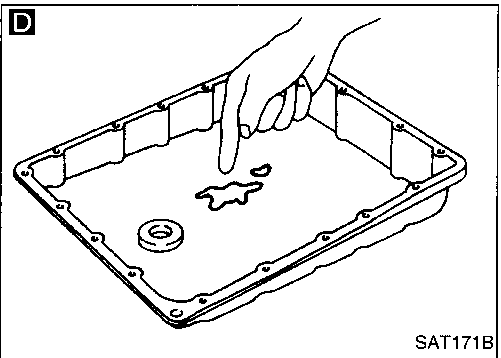
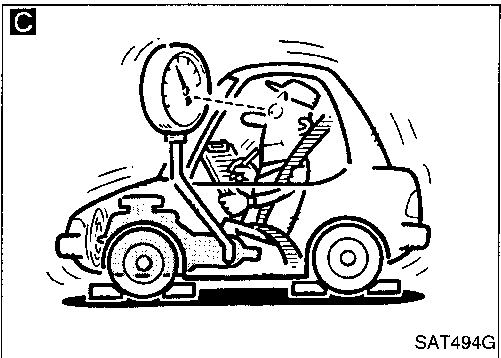
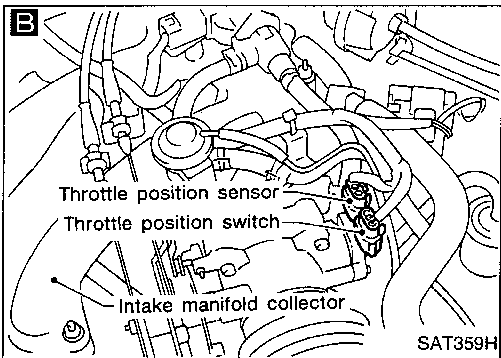
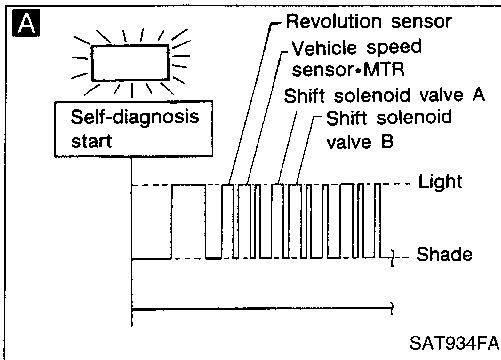


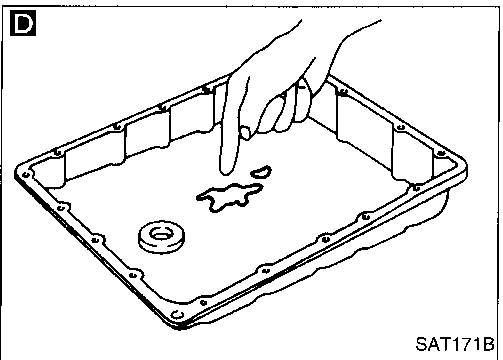
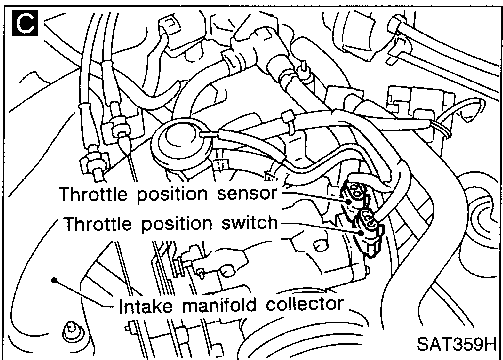
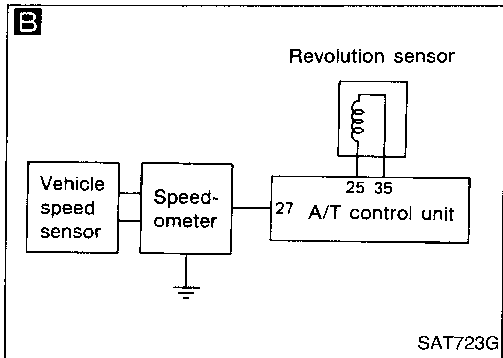
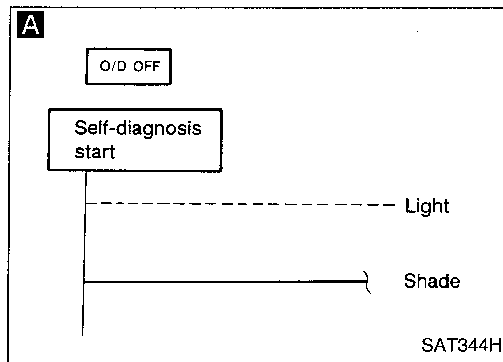
GI
 MA
 EM
 LC
 EC
 FE
 CL
 MT
AT
 FA
 RA
 BR
 ST
 RS
 BT
 HA
 EL
 IDX

8. Vehicle Cannot Be Started From D₁

SYMPTOM:

Vehicle cannot be started from D₁ on Cruise test — Part 1.

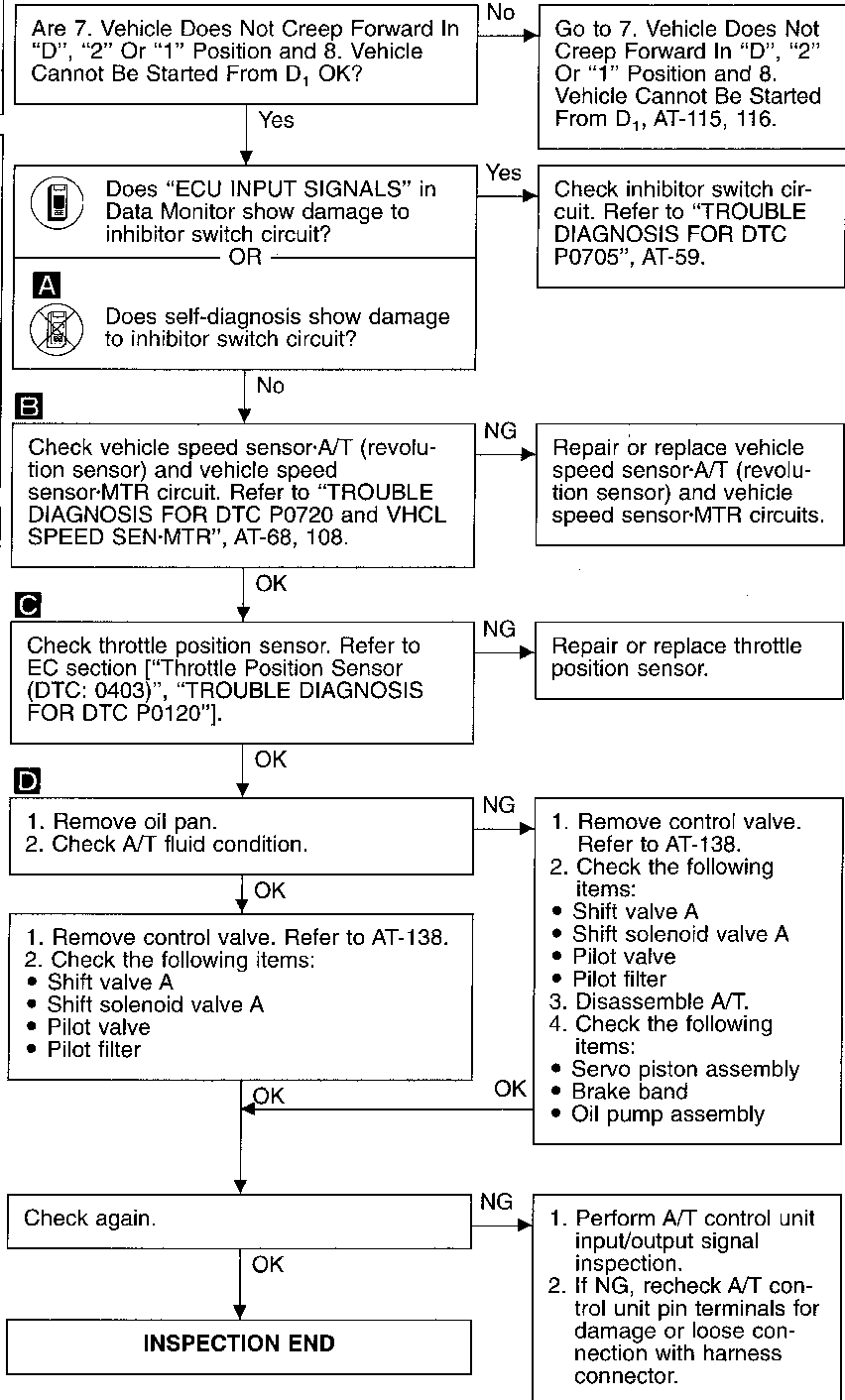




9. A/T Does Not Shift: D₁ → D₂ Or Does Not Kickdown: D₄ → D₂

SYMPTOM:

A/T does not shift from D₁ to D₂ at the specified speed.
A/T does not shift from D₄ to D₂ when depressing accelerator pedal fully at the specified speed.

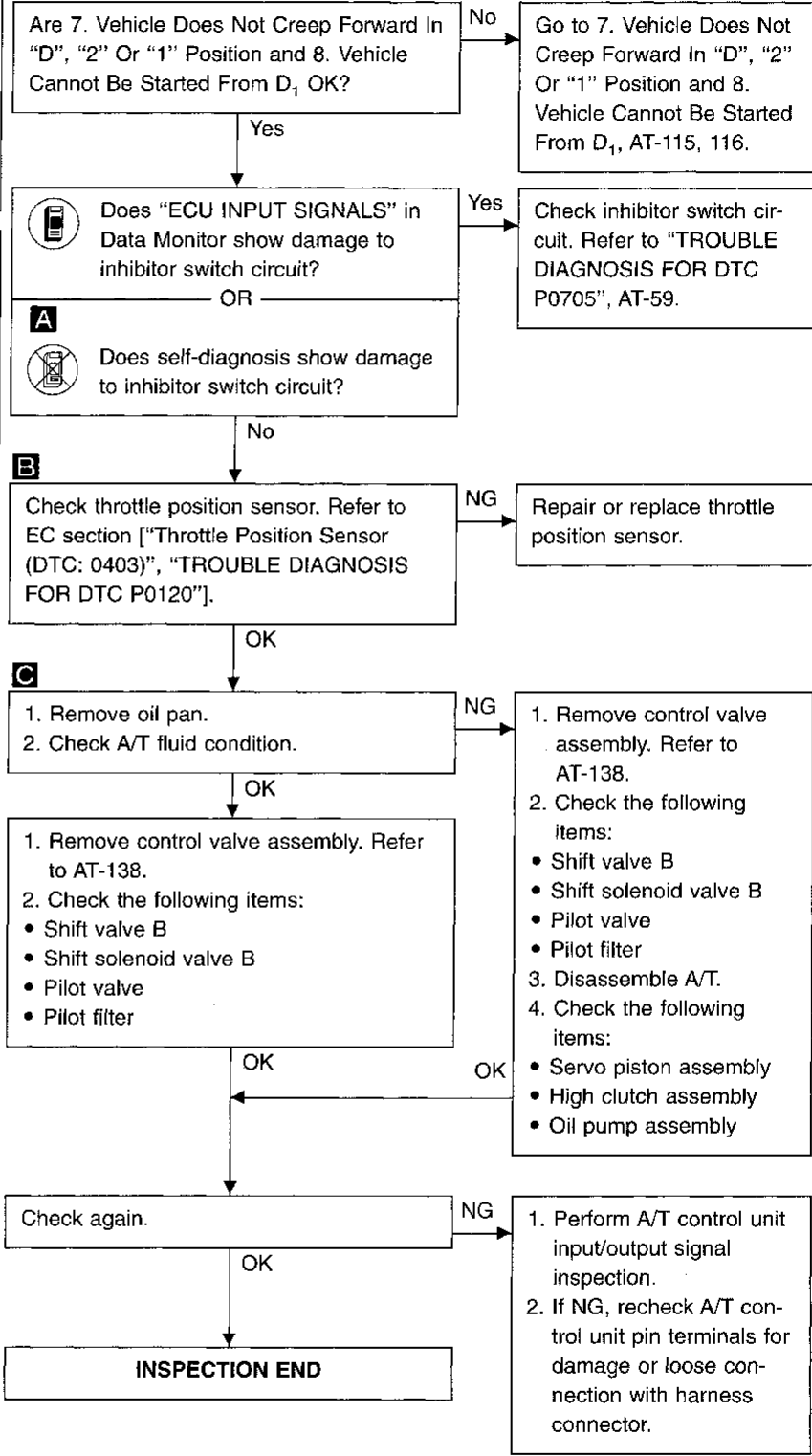
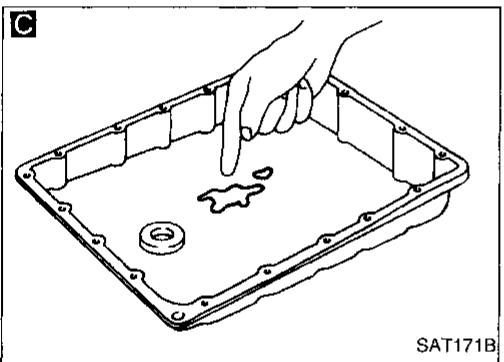
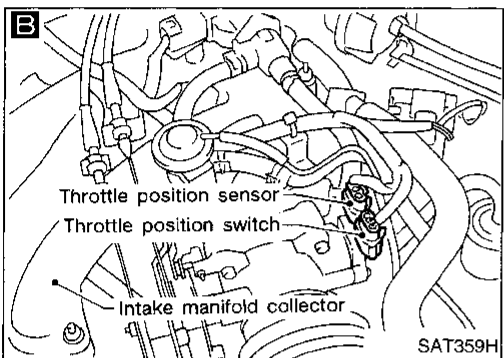
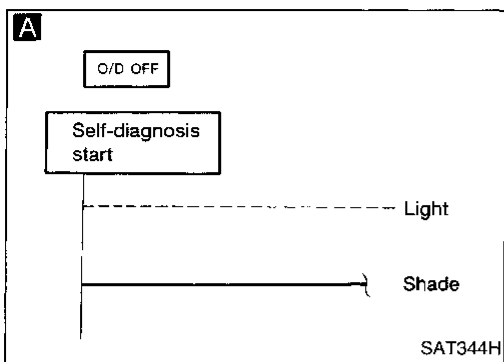


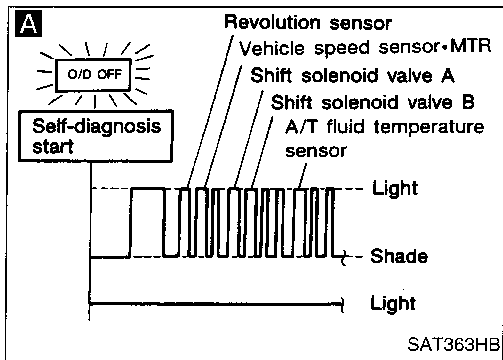
CI
 MA
 EM
 LC
 EC
 FE
 CL
 MT
AT
 FA
 RA
 BR
 ST
 PS
 BT
 HA
 EL
 IDX

10. A/T Does Not Shift: $D_2 \rightarrow D_3$

SYMPTOM:

A/T does not shift from D_2 to D_3 at the specified speed.





11. A/T Does Not Shift: D₃ → D₄

SYMPTOM:

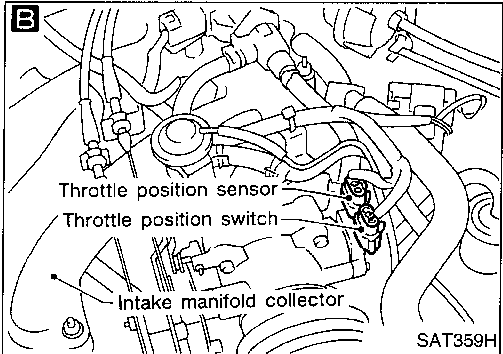
- A/T does not shift from D₃ to D₄ at the specified speed.
- A/T must be warm before D₃ to D₄ shift will occur.

Are 7. Vehicle Does Not Creep Forward In "D", "2" Or "1" Position and 8. Vehicle Cannot Be Started From D₁, OK?

No
Go to 7. Vehicle Does Not Creep Forward In "D", "2" Or "1" Position and 8. Vehicle Cannot Be Started From D₁, AT-115, 116.

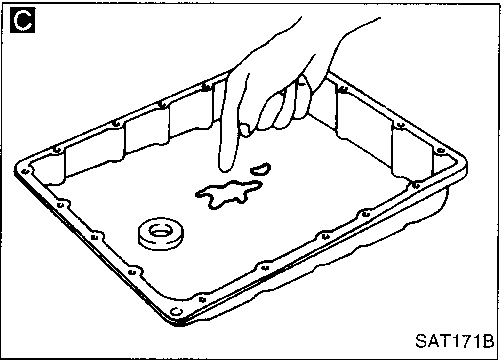
Yes
A Does self-diagnosis, after cruise test, show damage to any of the following circuits?
 • Inhibitor switch
 • Overdrive control switch
 • A/T fluid temperature sensor
 • Revolution sensor
 • Shift solenoid valve A or B
 • Vehicle speed sensor-MTR

Yes
Check damaged circuit. Refer to "TROUBLE DIAGNOSIS FOR DTC P0705, P0710, P0720, P0750, P0755 or VHCL SPEED SEN-MTR", AT-59, 65, 68, 97, 100 or 108.



No
B Check throttle position sensor. Refer to EC section ["Throttle Position Sensor (DTC: 0403)", "TROUBLE DIAGNOSIS FOR DTC P0120"].

NG
Repair or replace throttle position sensor.



OK
C 1. Remove oil pan.
2. Check A/T fluid condition.

NG
1. Remove control valve assembly. Refer to AT-138.
2. Check the following items:
 • Shift valve B
 • Overrun clutch control valve
 • Shift solenoid valve B
 • Pilot valve
 • Pilot filter
 3. Disassemble A/T.
 4. Check the following items:
 • Servo piston assembly
 • Brake band
 • Torque converter
 • Oil pump assembly

OK
1. Remove control valve assembly. Refer to AT-138.
2. Check the following items:
 • Shift valve B
 • Overrun clutch control valve
 • Shift solenoid valve B
 • Pilot valve
 • Pilot filter

Check again.

NG
1. Perform A/T control unit input/output signal inspection.
2. If NG, recheck A/T control unit pin terminals for damage or loose connection with harness connector.

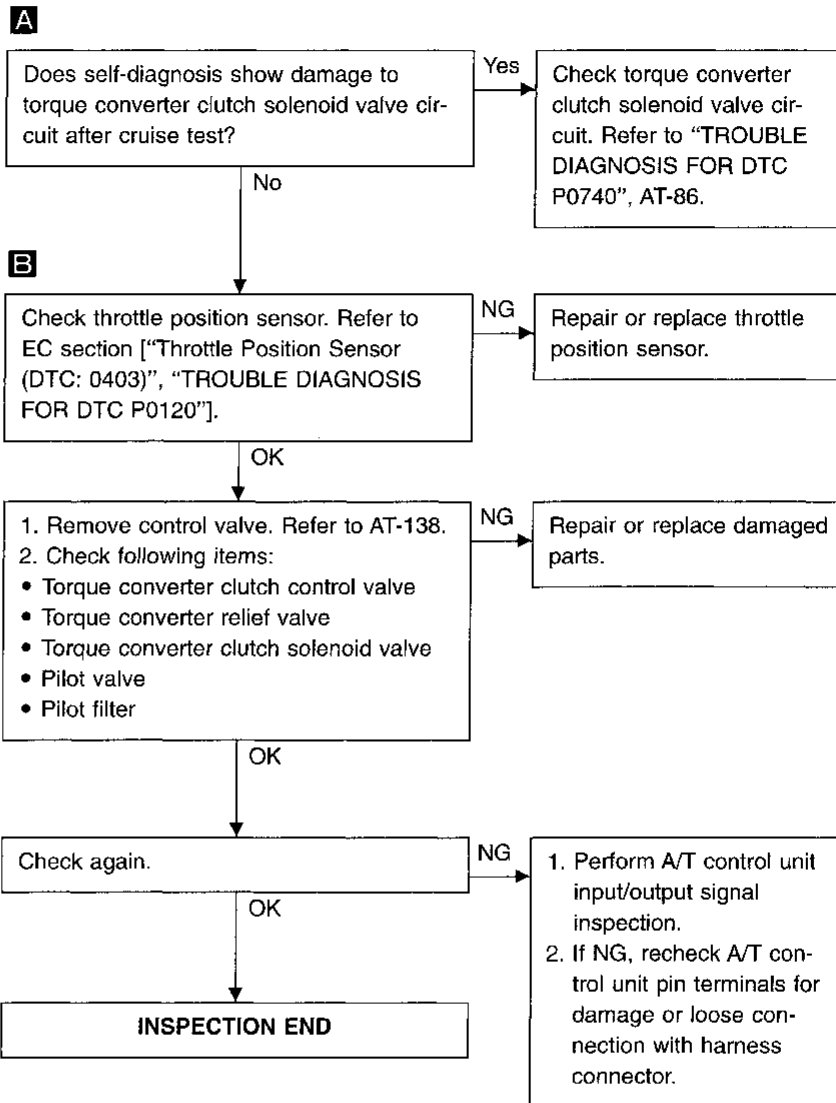
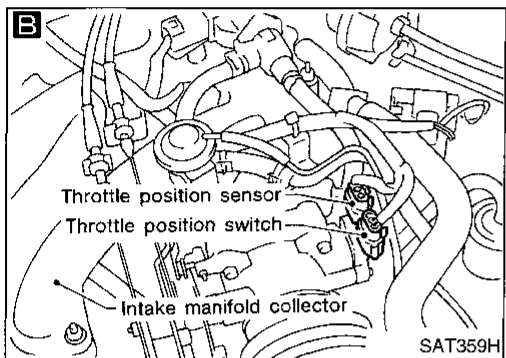
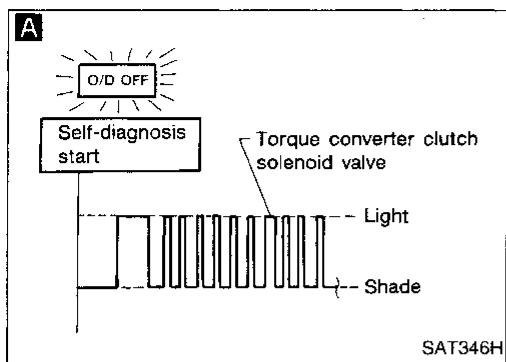
INSPECTION END

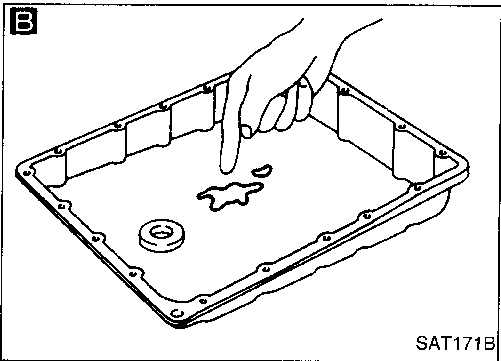
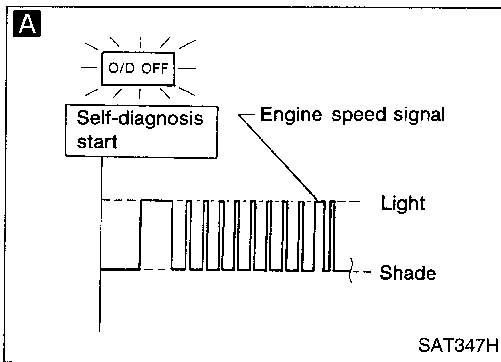
GI
MA
EM
LC
EC
FE
CL
MT
AT
FA
RA
BR
ST
RS
BT
HA
EL
IDX

12. A/T Does Not Perform Lock-up

SYMPTOM:

A/T does not perform lock-up at the specified speed.

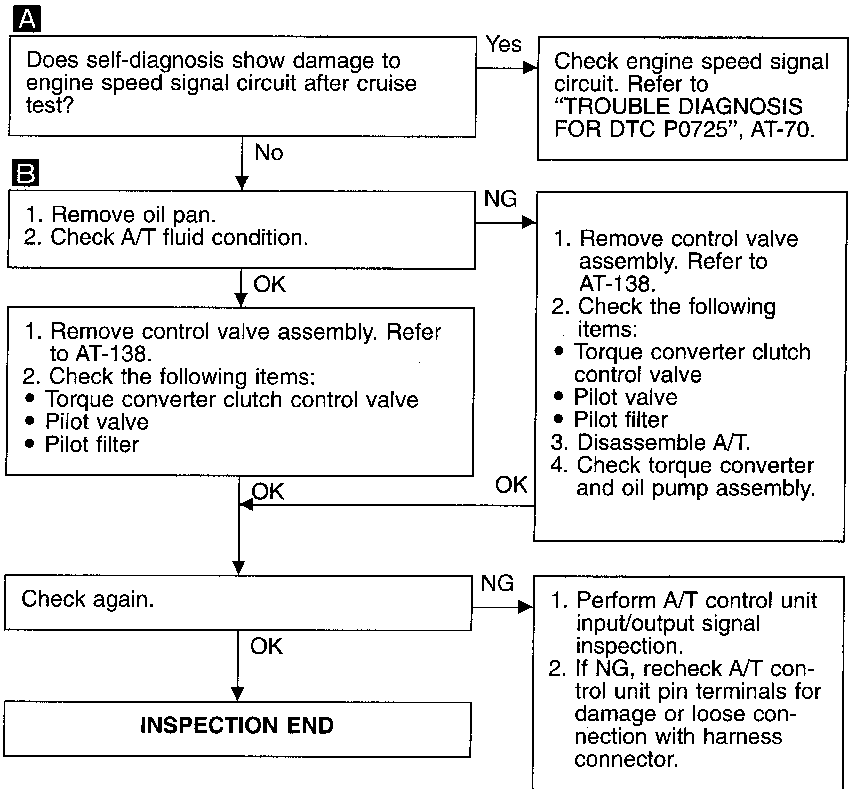




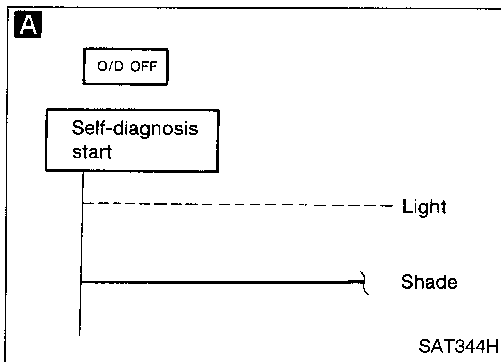
13. A/T Does Not Hold Lock-up Condition

SYMPTOM:

A/T does not hold lock-up condition for more than 30 seconds.



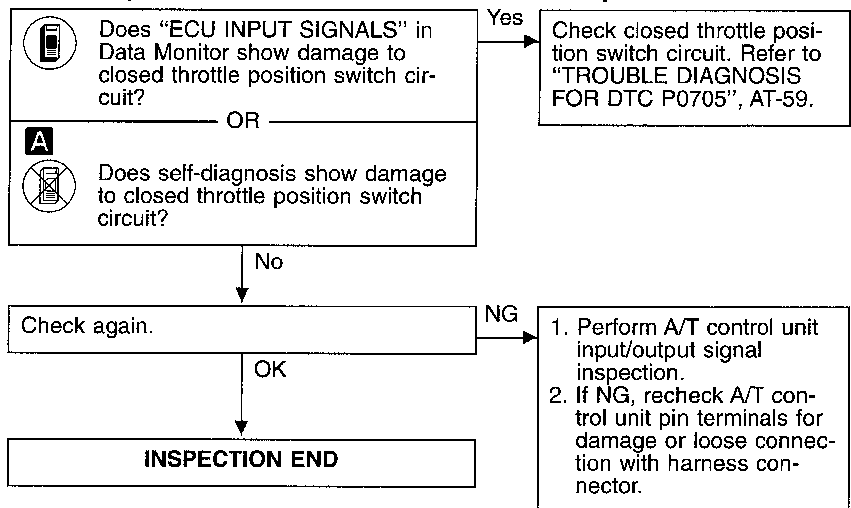
GI
MA
EM
LC
EC
FE
CL
MT
AT



14. Lock-up Is Not Released

SYMPTOM:

Lock-up is not released when accelerator pedal is released.

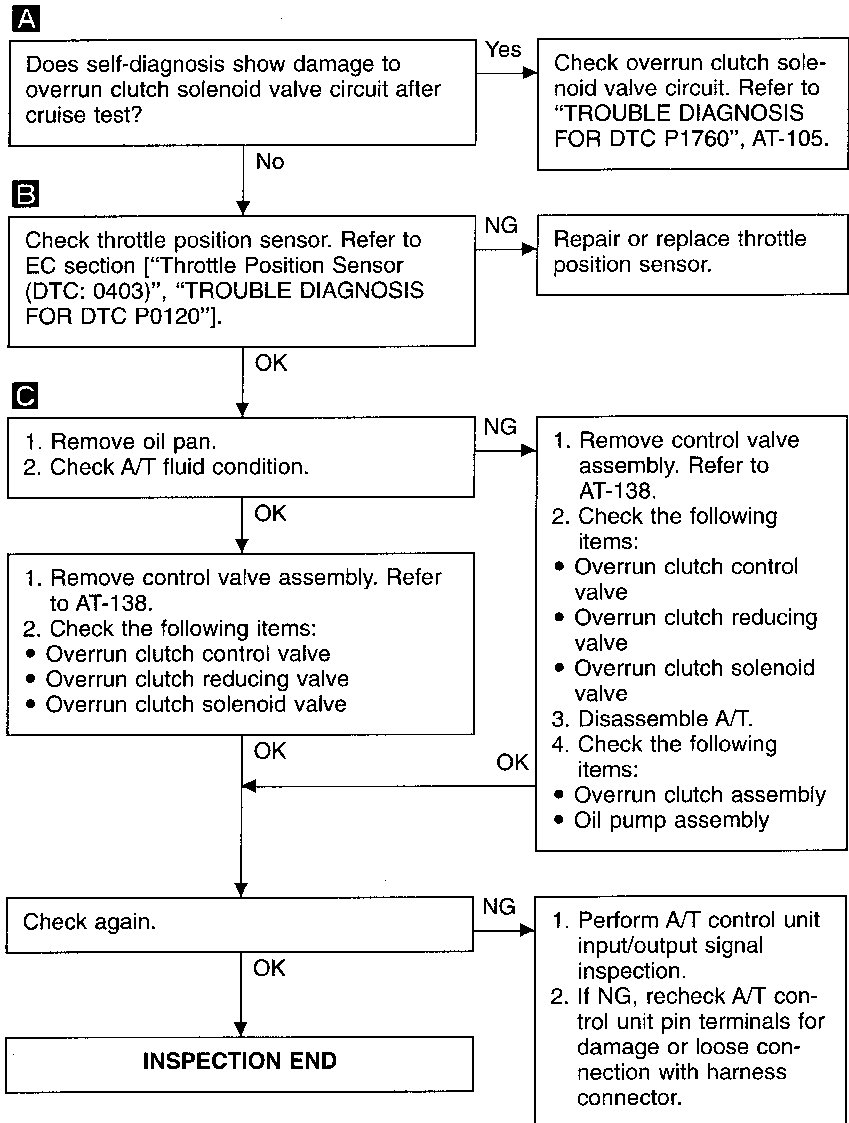
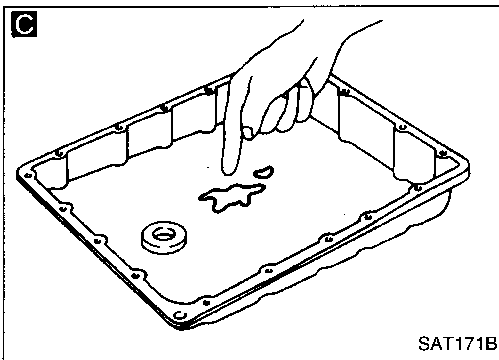
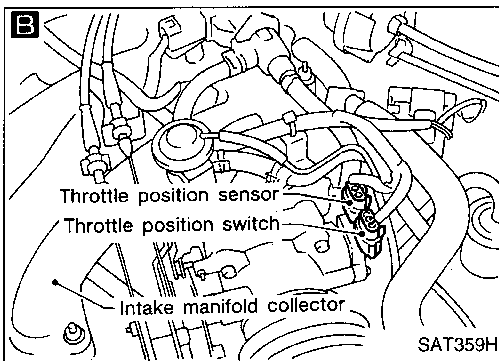
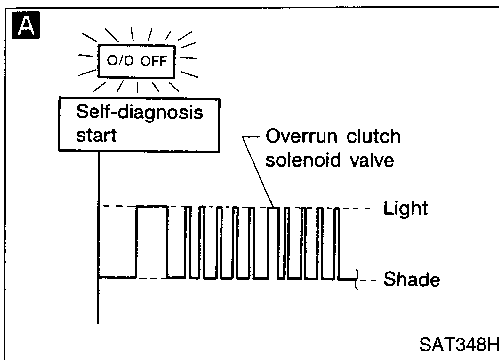


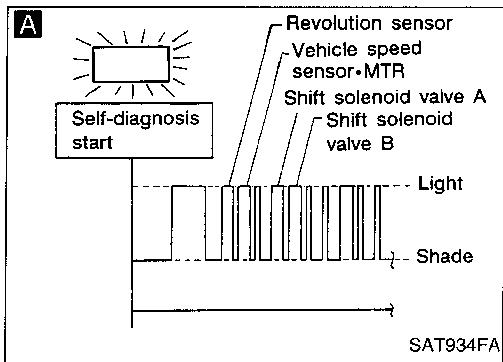
BR
ST
RS
BT
HA
EL
IDX

15. Engine Speed Does Not Return To Idle (Light Braking D₄ → D₃)

SYMPTOM:

- Engine speed does not smoothly return to idle when A/T shifts from D₄ to D₃.
- Vehicle does not decelerate by engine brake when turning overdrive control switch OFF.
- Vehicle does not decelerate by engine brake when shifting A/T from "D" to "2" position.

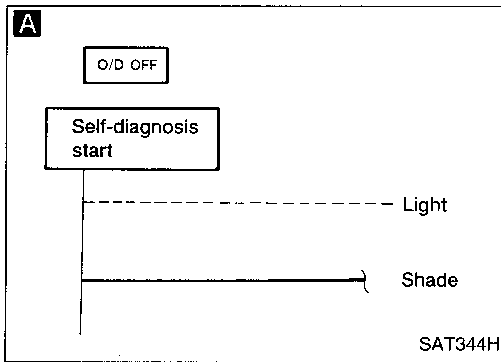
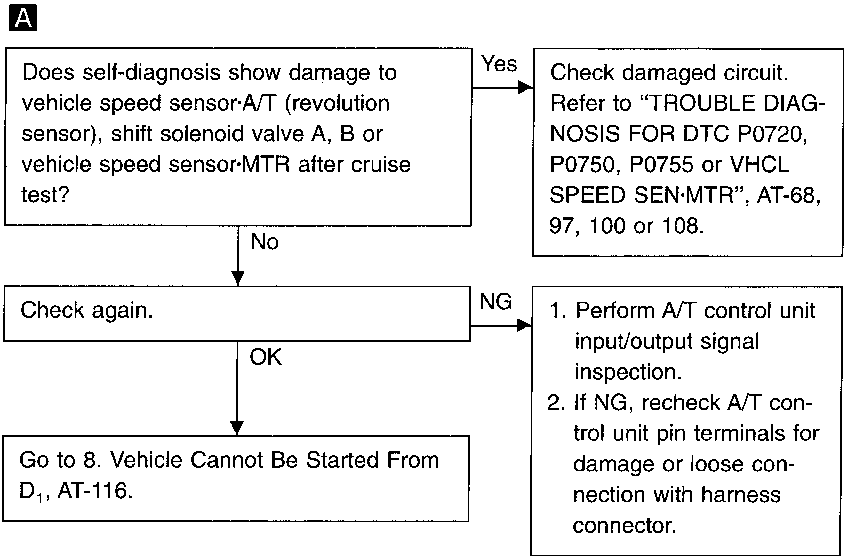




16. Vehicle Does Not Start From D₁

SYMPTOM:

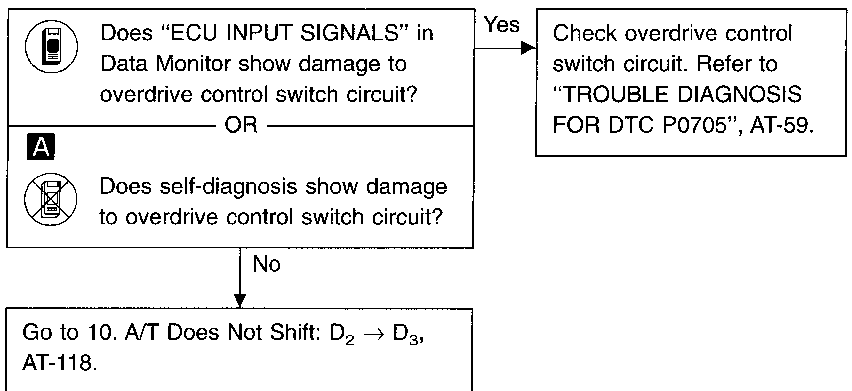
Vehicle does not start from D₁ on Cruise test — Part 2.



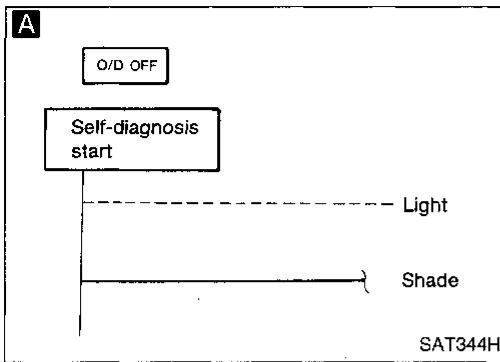
17. A/T Does Not Shift: D₄ → D₃, When Overdrive Control Switch "ON" → "OFF"

SYMPTOM:

A/T does not shift from D₄ to D₃ when changing overdrive control switch to "OFF" position.



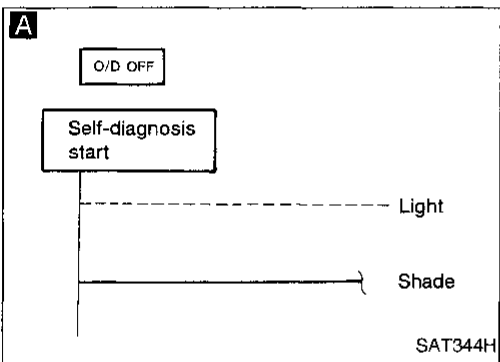
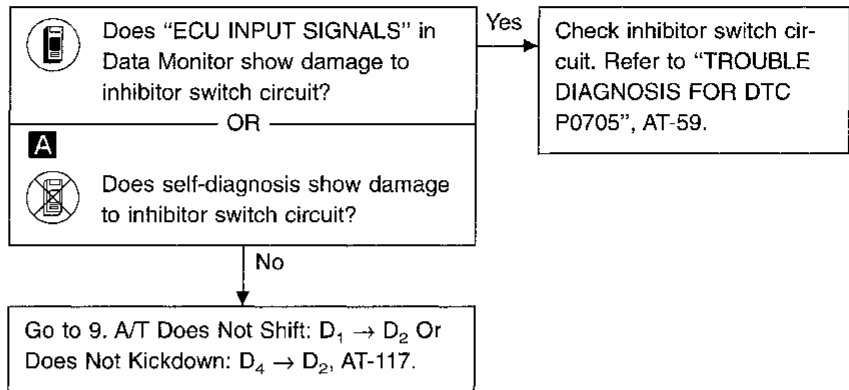
CI
MA
EM
LC
EC
FE
CL
MT
AT
FA
BA
BR
ST
RS
BT
HA
EL
IDX



18. A/T Does Not Shift: $D_3 \rightarrow 2_2$, When Selector Lever "D" \rightarrow "2" Position

SYMPTOM:

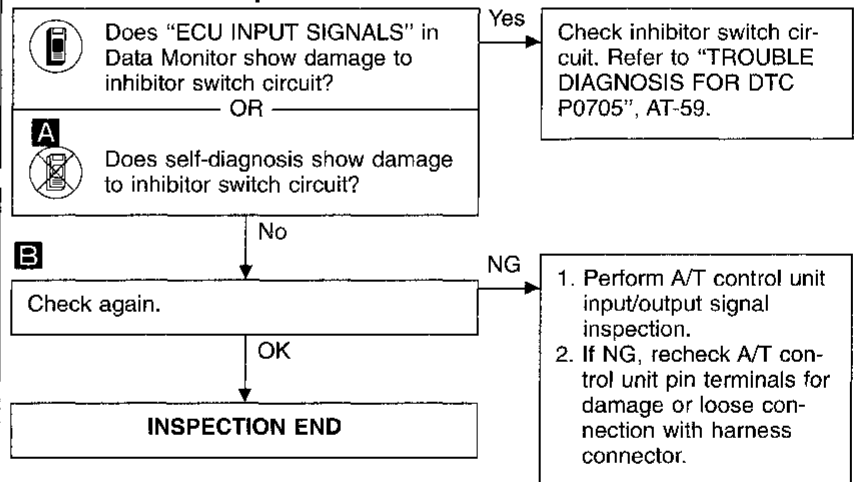
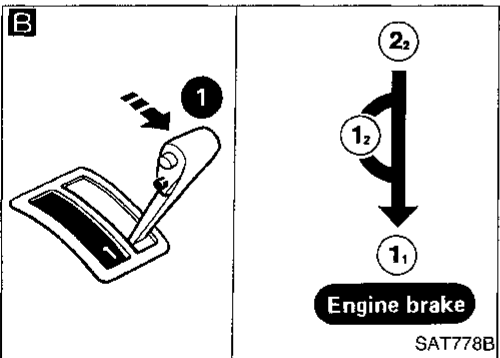
A/T does not shift from D_3 to 2_2 when changing selector lever from "D" to "2" position.



19. A/T Does Not Shift: $2_2 \rightarrow 1_1$, When Selector Lever "2" \rightarrow "1" Position

SYMPTOM:

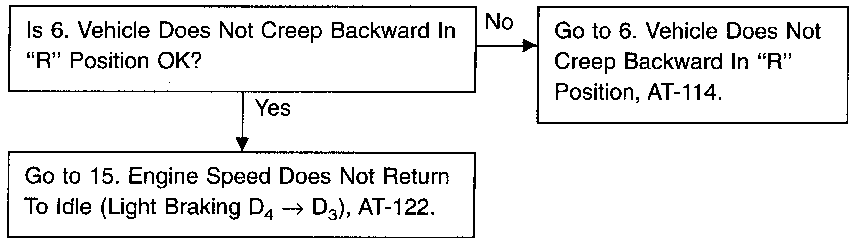
A/T does not shift from 2_2 to 1_1 when changing selector lever from "2" to "1" position.



20. Vehicle Does Not Decelerate By Engine Brake

SYMPTOM:

Vehicle does not decelerate by engine brake when shifting from 2₂ (1₂) to 1₁.



GI

MA

EM

LC

EC

FE

CL

MT

AT

FA

RA

BR

ST

RS

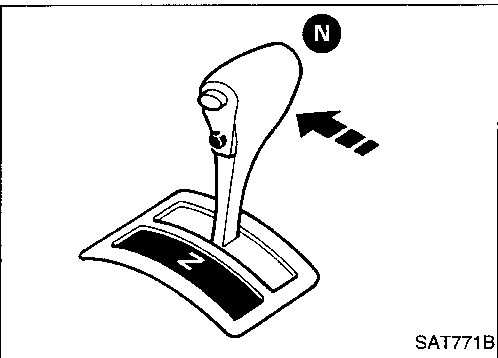
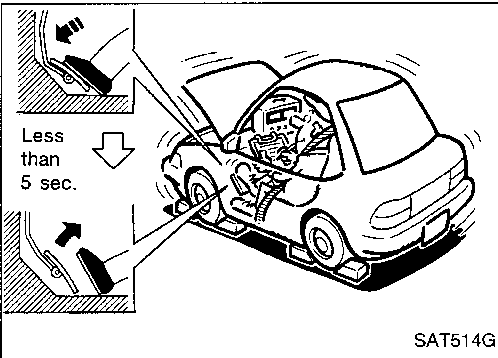
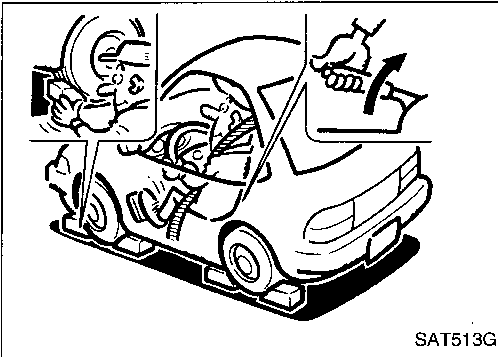
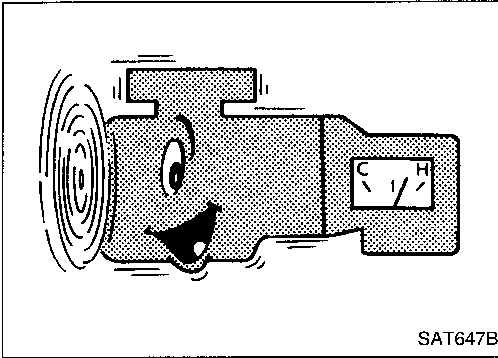
BT

HA

EL

IDX

TROUBLE DIAGNOSES



Final Check

STALL TESTING

Stall test procedure

1. Check A/T and engine fluid levels. If necessary, add.
2. Drive vehicle for approx. 10 minutes or until engine oil and ATF reach operating temperature.

ATF operating temperature:
50 - 80°C (122 - 176°F)

3. Set parking brake and block wheels.
4. Install a tachometer where it can be seen by driver during test.
 - It is good practice to put a mark on point of specified engine rpm on indicator.

5. Start engine, apply foot brake, and place selector lever in "D" position.
6. Accelerate to wide-open throttle gradually while applying foot brake.
7. Quickly note the engine stall revolution and immediately release throttle.

- **During test, never hold throttle wide-open for more than 5 seconds.**

Stall revolution:
2,000 - 2,300 rpm

8. Move selector lever to "N" position.
9. Cool off ATF.
 - **Run engine at idle for at least one minute.**
10. Repeat steps 5 through 9 with selector lever in "2", "1" and "R" positions.

TROUBLE DIAGNOSES

Final Check (Cont'd)

JUDGEMENT OF STALL TEST

The test result and possible damaged components relating to each result are shown in the illustration. In order to pinpoint the possible damaged components, follow the WORK FLOW shown in AT-38.

Note

Stall revolution is too high in "D", "2" or "1" position:

- Slippage occurs in 1st gear but not in 2nd and 3rd gears. Low one-way clutch slippage GI
- Slippage occurs in the following gears:
 - 1st through 3rd gears in "D" position and engine brake functions with overdrive switch set to "OFF". MA
 - 1st and 2nd gears in "2" position and engine brake functions with accelerator pedal released (fully closed throttle). Forward clutch or forward one-way clutch slippage EM

Stall revolution is too high in "R" position:

- Engine brake does not function in "1" position. Low & reverse brake slippage
- Engine brake functions in "1" position. Reverse clutch slippage LC

Stall revolution within specifications:

- Vehicle does not achieve speed of more than 80 km/h (50 MPH). One-way clutch seizure in torque converter housing EC

CAUTION:

Be careful since automatic fluid temperature increases abnormally.

- Slippage occurs in 3rd and 4th gears in "D" position. High clutch slippage FE
- Slippage occurs in 2nd and 4th gear in "D" position. Brake band slippage
- Engine brake does not function in 2nd and 3rd gears in "D" position, 2nd gear in "2" position, and 1st gear in "1" position with overdrive switch set to "OFF". CL

Stall revolution less than specifications:

- Poor acceleration during starts. One-way clutch seizure in torque converter WT

AT

FA

RA

BR

ST

RS

BT

HA

EL

IDX

TROUBLE DIAGNOSES

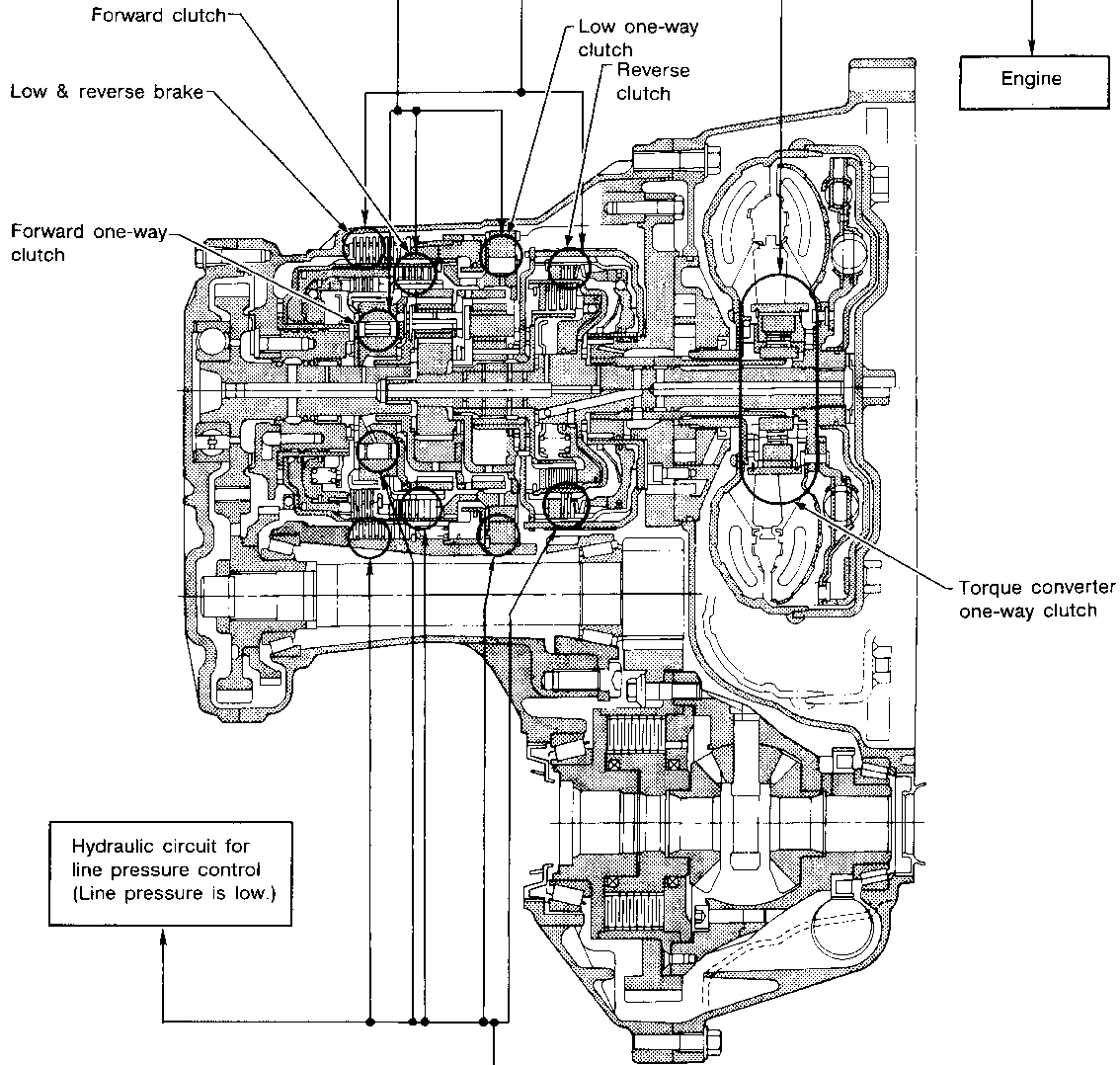
Final Check (Cont'd)

Judgement of stall test

Selector lever position	Judgement		
D	H	O	L
2	H	O	L
1	H	O	L
R	O	H	L

O : Stall revolution is normal.
 H : Stall revolution is higher than specified.
 L : Stall revolution is lower than specified.

Damaged components



Hydraulic circuit for line pressure control
(Line pressure is low.)

Clutches and brakes except high clutch, brake band and overrun clutch are OK.
(Condition of high clutch, brake band and overrun clutch cannot be confirmed by stall test.)

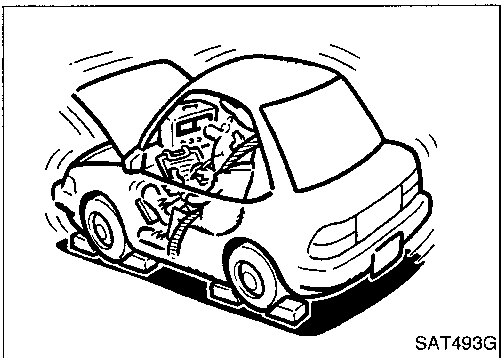
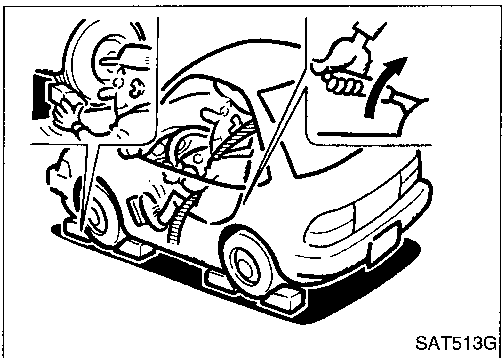
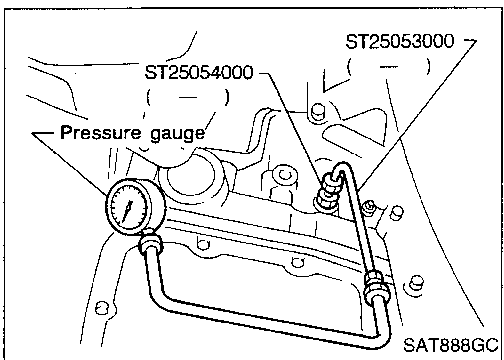
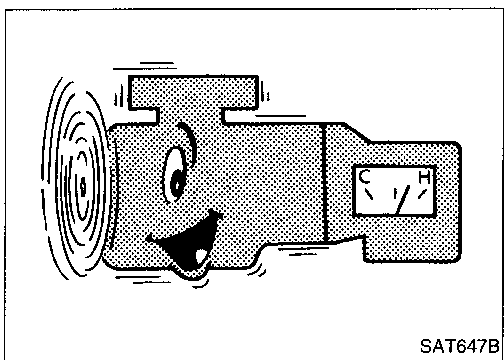
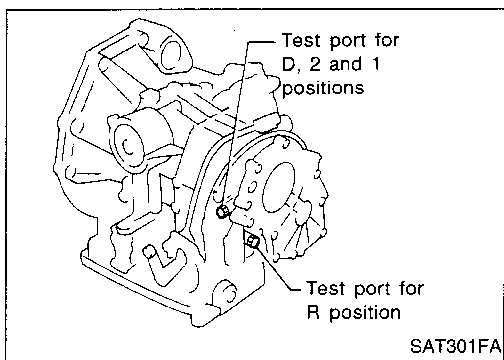
D	H	O
2	H	O
1	H	O
R	H	O
Selector lever position	Judgement	

TROUBLE DIAGNOSES

Final Check (Cont'd)

PRESSURE TESTING

- Location of pressure test ports.
- **Always replace pressure plugs as they are self-sealing bolts.**



Line pressure test procedure

1. Check A/T and engine fluid levels. If necessary, add fluid.
2. Drive vehicle for approx. 10 minutes or until engine oil and ATF reach operating temperature.

ATF operating temperature:
50 - 80°C (122 - 176°F)

3. Install pressure gauge to corresponding line pressure port.

4. Set parking brake and block wheels.

- **Continue to depress brake pedal fully while line pressure test is being performed at stall speed.**

5. Start engine and measure line pressure at idle and stall speed.

- **When measuring line pressure at stall speed, follow the stall test procedure.**

Line pressure: Refer to SDS, AT-239.

GI

MA

EM

LC

EC

FE

CL

MT

AT

FA

RA

BR

ST

RS

BT

HA

EL

IDX

TROUBLE DIAGNOSES

Final Check (Cont'd)

JUDGEMENT OF LINE PRESSURE TEST

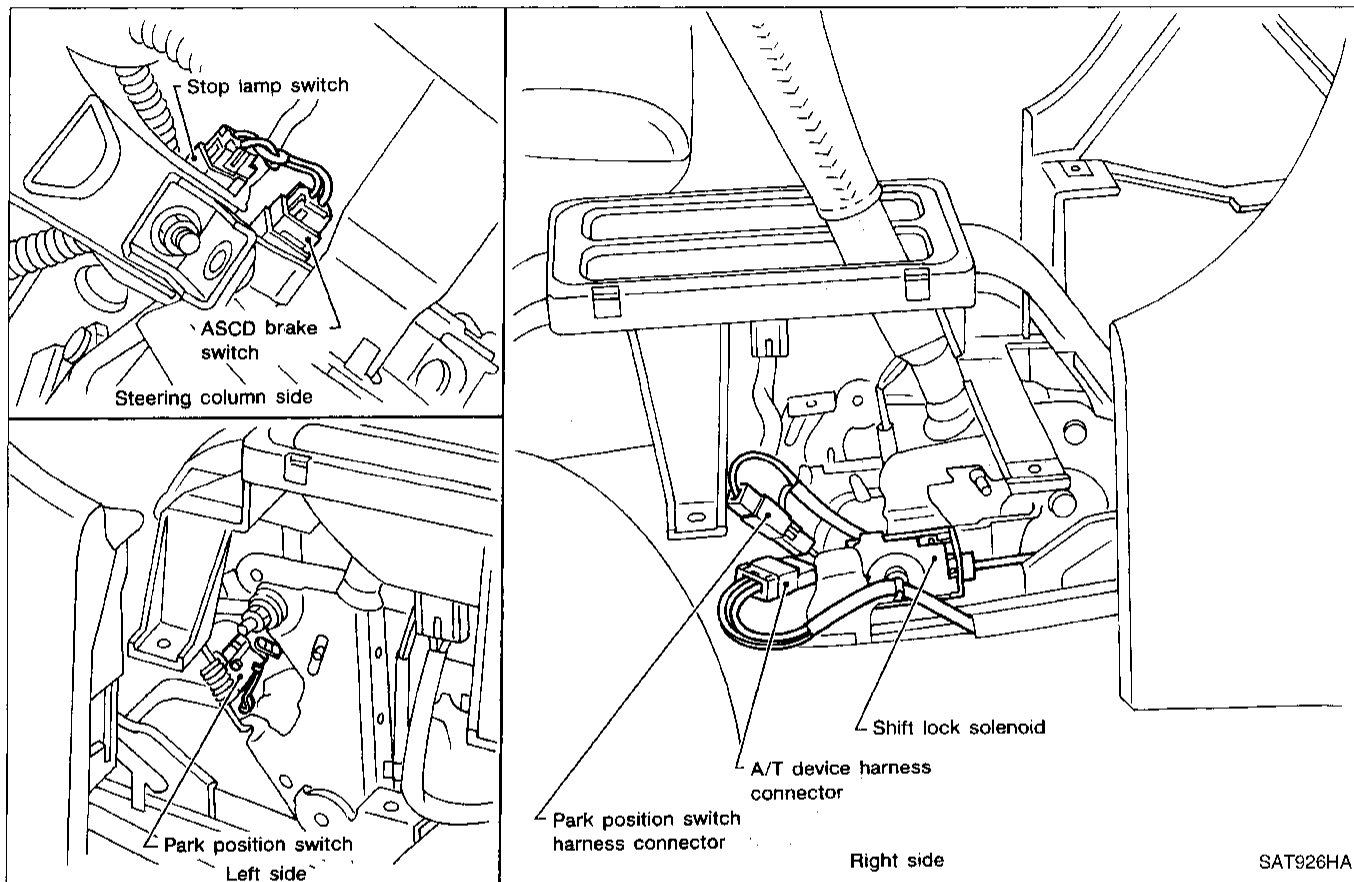
Judgement		Suspected parts
At idle	Line pressure is low in all positions.	<ul style="list-style-type: none"> • Oil pump wear • Control piston damage • Pressure regulator valve or plug sticking • Spring for pressure regulator valve damaged • Fluid pressure leakage between oil strainer and pressure regulator valve • Clogged strainer
	Line pressure is low in particular position.	<ul style="list-style-type: none"> • Fluid pressure leakage between manual valve and particular clutch • For example, line pressure is: <ul style="list-style-type: none"> — Low in "R" and "1" positions, but — Normal in "D" and "2" positions. <p>Therefore, fluid leakage exists at or around low and reverse brake circuit. Refer to "OPERATION OF CLUTCH AND BRAKE", AT-21.</p>
	Line pressure is high.	<ul style="list-style-type: none"> • Mal-adjustment of throttle position sensor • A/T fluid temperature sensor damaged • Line pressure solenoid valve sticking • Short circuit of line pressure solenoid valve circuit • Pressure modifier valve sticking • Pressure regulator valve or plug sticking • Open in dropping resistor circuit
At stall speed	Line pressure is low.	<ul style="list-style-type: none"> • Mal-adjustment of throttle position sensor • Line pressure solenoid valve sticking • Short circuit of line pressure solenoid valve circuit • Pressure regulator valve or plug sticking • Pressure modifier valve sticking • Pilot valve sticking

A/T Shift Lock System

DESCRIPTION

- The mechanical key interlock mechanism also operates as a shift lock:
 With the key switch turned to "ON", the selector lever cannot be shifted from "P" (parking) to any other position unless the brake pedal is depressed.
 With the key removed, the selector lever cannot be shifted from "P" to any other position.
 The key cannot be removed unless the selector lever is placed in "P".
- The shift lock and key interlock mechanisms are controlled by the ON-OFF operation of the shift lock solenoid and by the operation of the rotator and slider located inside the key cylinder, respectively.

SHIFT LOCK SYSTEM ELECTRICAL PARTS LOCATION



GI

MA

EM

LC

EC

FE

CL

MT

AT

FA

RA

BR

ST

RS

BT

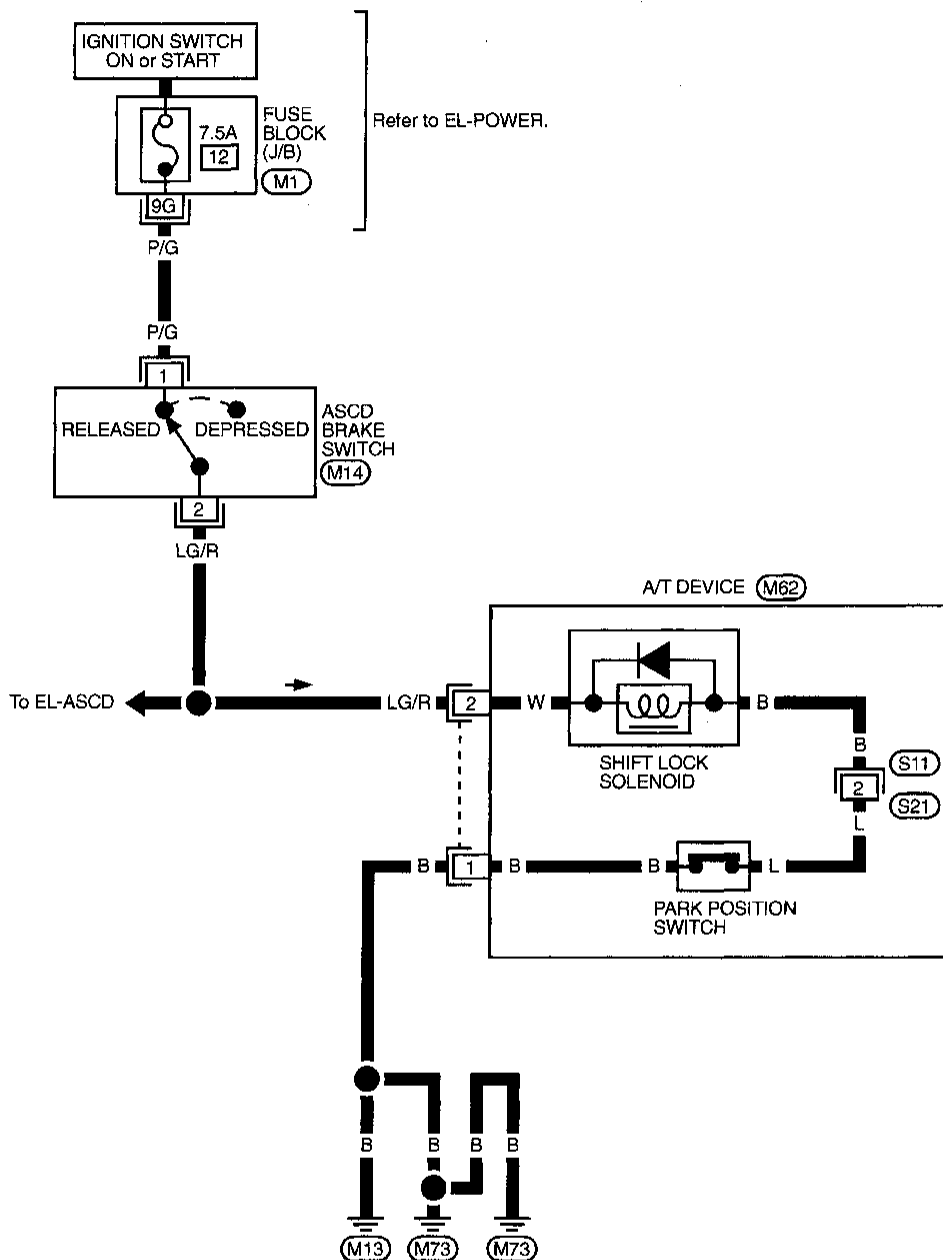
HA

EL

IDX

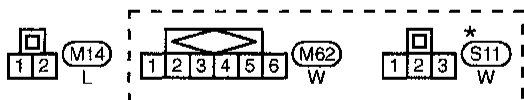
Wiring Diagram — SHIFT —

AT-SHIFT-01



Refer to EL-POWER.

Refer to last page (Foldout page).



* : This connector is not shown in "HARNESS LAYOUT" of EL section.

M1

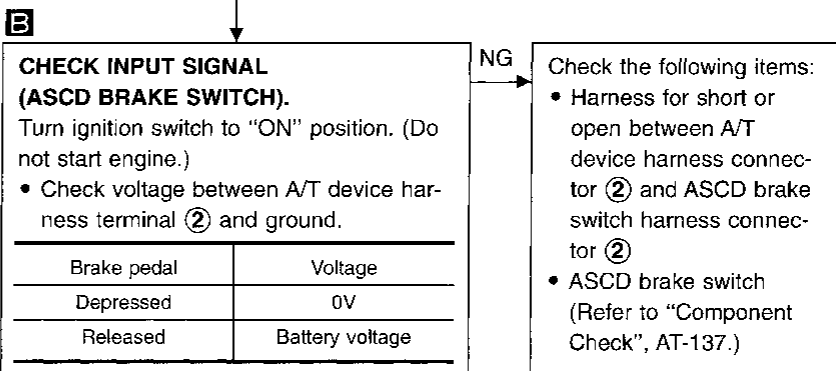
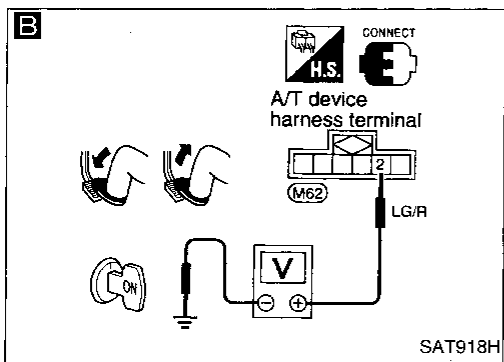
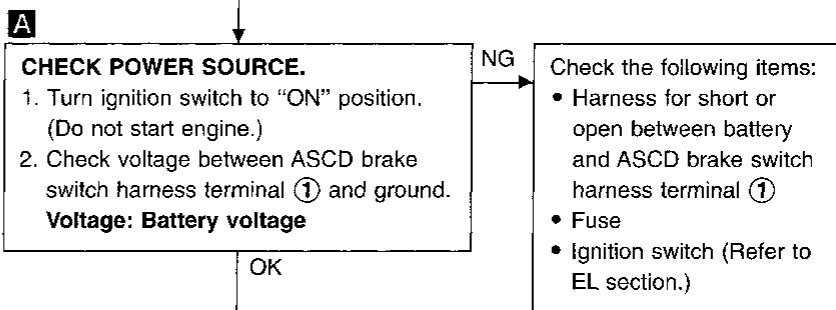
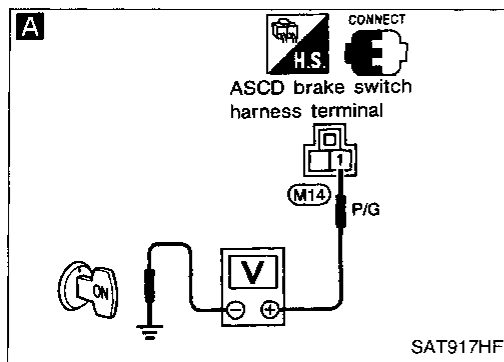
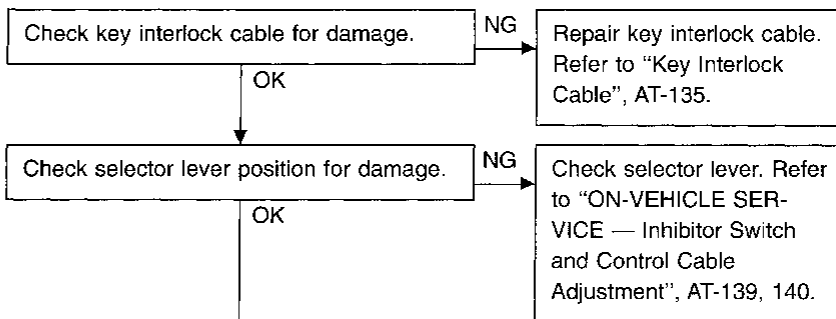
Diagnostic Procedure

SYMPTOM 1:

- Selector lever cannot be moved from "P" position with key in "ON" position and brake pedal applied.
- Selector lever can be moved from "P" position with key in "ON" position and brake pedal released.
- Selector lever can be moved from "P" position when key is removed from key cylinder.

SYMPTOM 2:

Ignition key cannot be removed when selector lever is set to "P" position. It can be removed when selector lever is set to any position except "P".

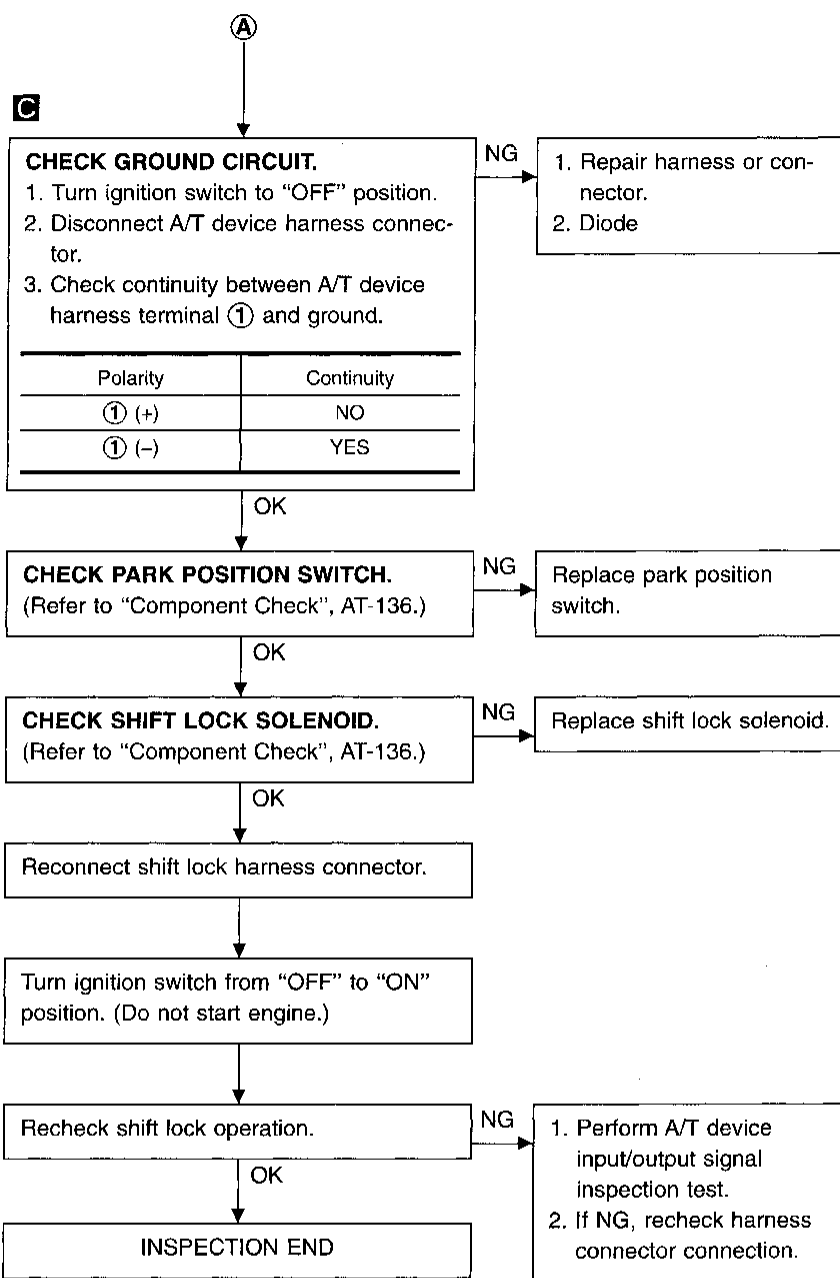
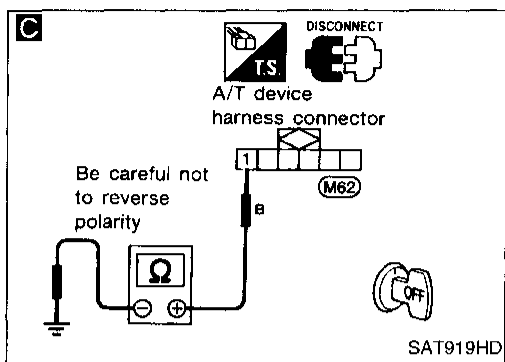


Brake pedal	Voltage
Depressed	0V
Released	Battery voltage

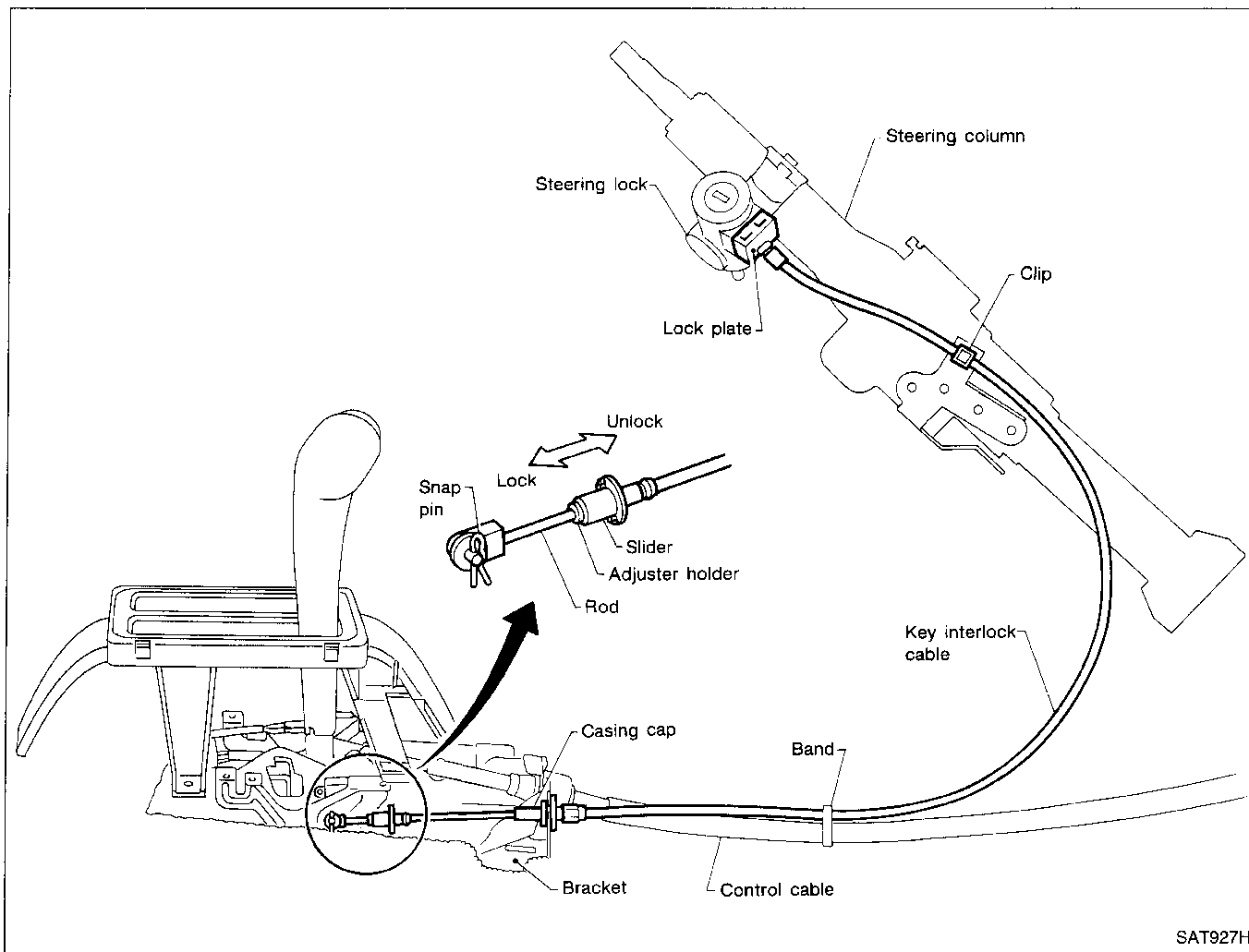
OK
A

TROUBLE DIAGNOSES — A/T Shift Lock System

Diagnostic Procedure (Cont'd)

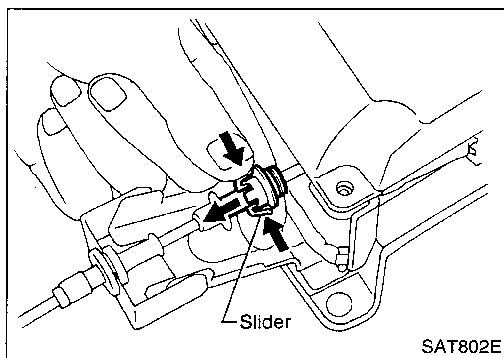


Key Interlock Cable



CAUTION:

- Install key interlock cable in such a way that it will not be damaged by sharp bends, twists or interference with adjacent parts.
- After installing key interlock cable to control device, make sure that casing cap and bracket are firmly secured in their positions. If casing cap can be removed with an external load of less than 39.2 N (4.0 kg, 8.8 lb), replace key interlock cable with new one.



REMOVAL

Unlock slider from adjuster holder and remove rod from cable.

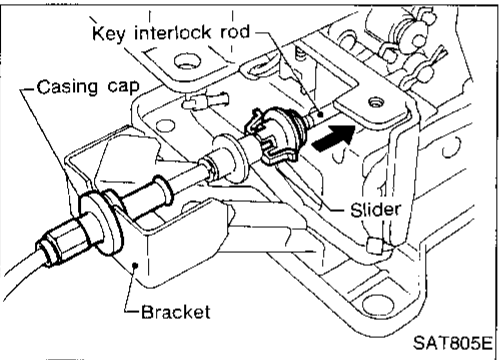
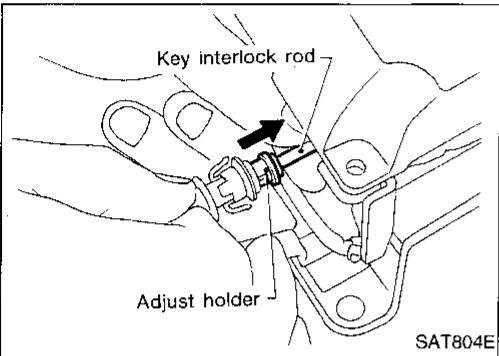
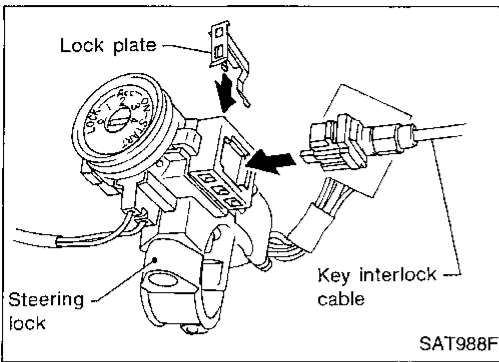
GI
MA
EM
LC
EC
FE
CL
MT
AT
FA
RA
BR
ST
RS
BT
HA
EL
IDX

TROUBLE DIAGNOSES — A/T Shift Lock System

Key Interlock Cable (Cont'd)

INSTALLATION

1. Set key interlock cable to steering lock assembly and install lock plate.
2. Clamp cable to steering column and fix to control cable with band.
3. Set control lever to P position.



4. Insert interlock rod into adjuster holder.

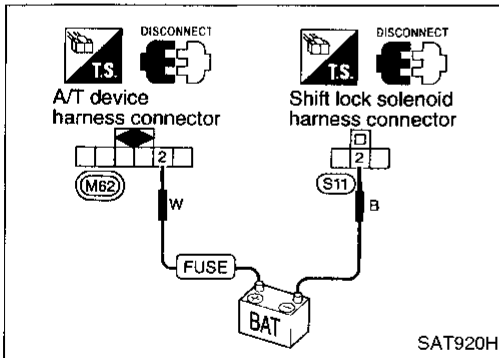
5. Install casing cap to bracket.

6. Move slider in order to fix adjuster holder to interlock rod.

Component Check

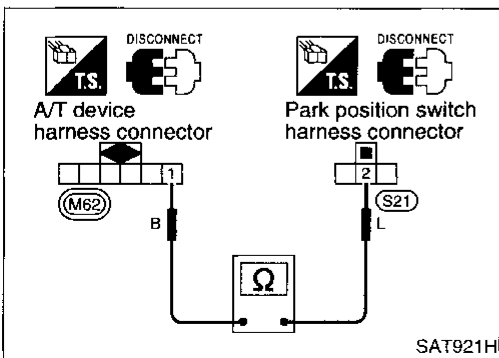
SHIFT LOCK SOLENOID

- Check operation by applying battery voltage to A/T device and shift lock solenoid harness terminal.



PARK POSITION SWITCH

- Check continuity between A/T device harness terminal ① and park position switch harness terminal ②.

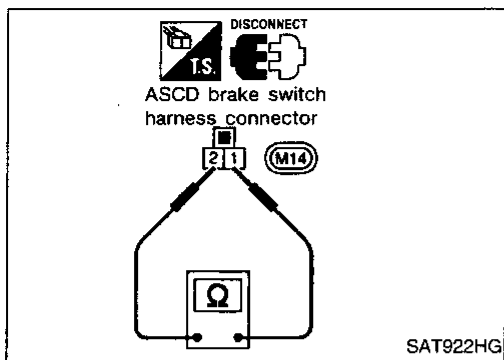


Condition	Continuity
When selector lever is set in "P" position and selector lever button is released	Yes
Except above	No

Component Check (Cont'd)

ASCD BRAKE SWITCH

- Check continuity between terminals ① and ②.



Condition	Continuity
When brake pedal is depressed	No
When brake pedal is released	Yes

Check ASCD brake switch after adjusting brake pedal — refer to BR section.

GI

MA

EM

LC

EC

FE

CL

MT

AT

FA

RA

BR

ST

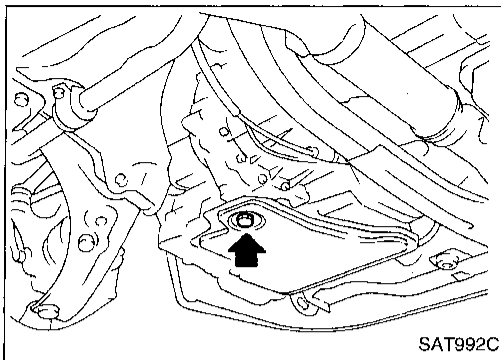
RS

BT

HA

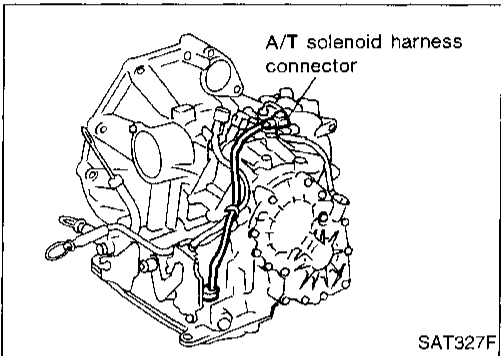
EL

IDX

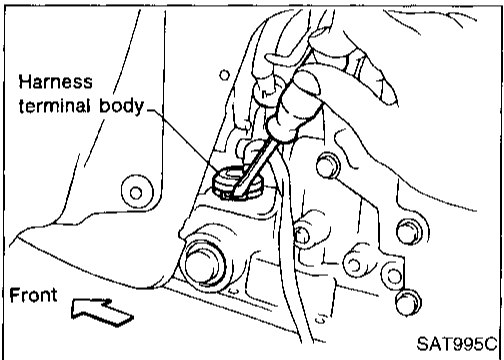


Control Valve Assembly and Accumulator REMOVAL

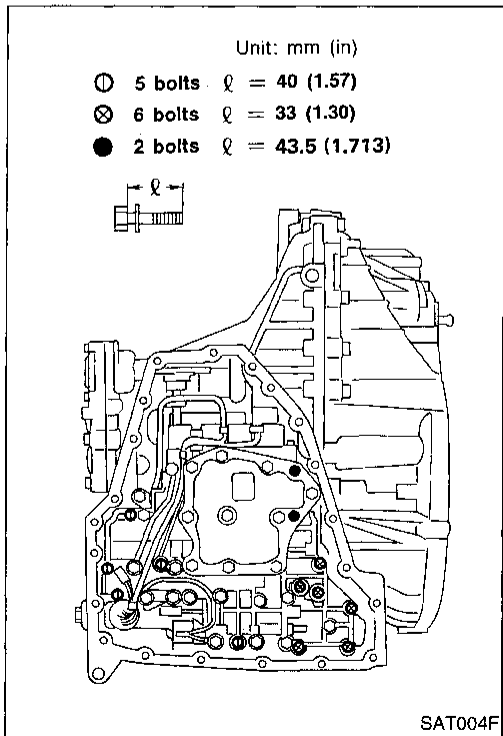
1. Drain ATF from transaxle.
2. Remove oil pan and gasket.



3. Disconnect A/T solenoid harness connector.



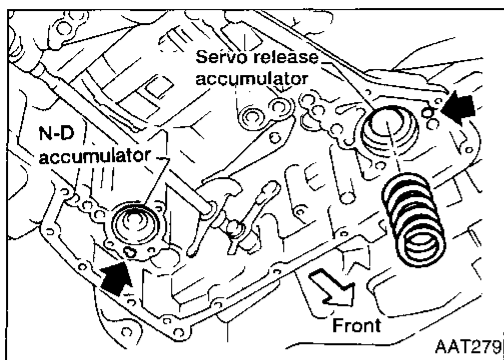
4. Remove stopper ring from terminal cord assembly harness terminal body.
5. Remove terminal cord assembly harness from transmission case by pushing on terminal body.



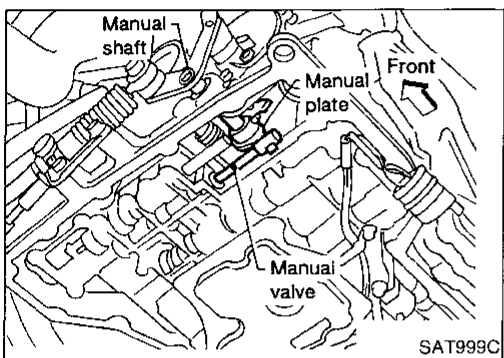
6. Remove control valve assembly by removing fixing bolts ①, ② and ③.
 - **Be careful not to drop manual valve and servo release accumulator return spring.**
7. Disassemble and inspect control valve assembly if necessary. Refer to AT-168.

ON-VEHICLE SERVICE

Control Valve Assembly and Accumulator (Cont'd)

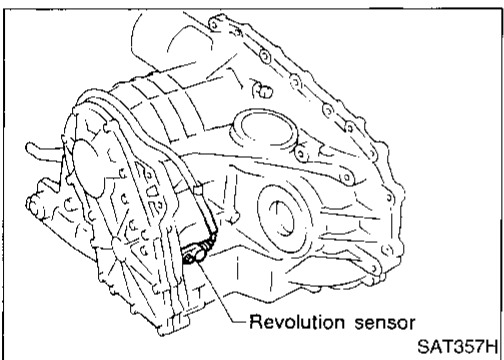


- Remove servo release and N-D accumulators by applying compressed air if necessary.
- Hold each piston with a rag.



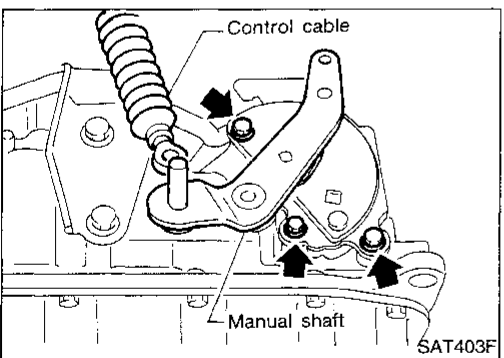
INSTALLATION

- Set manual shaft in Neutral, then align manual plate with groove in manual valve.
- After installing control valve assembly, make sure that selector lever can be moved to all positions.



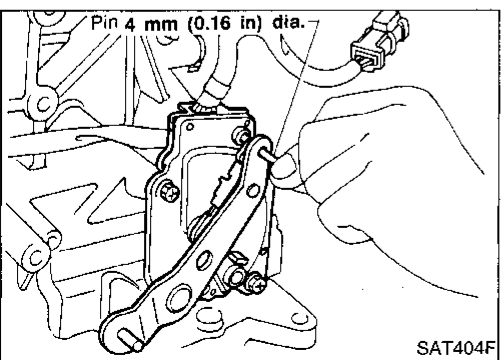
Revolution Sensor Replacement

- Remove under cover.
 - Remove revolution sensor from A/T.
 - Reinstall any part removed.
- Always use new sealing parts.



Inhibitor Switch Adjustment

- Remove control cable from manual shaft.
- Set manual shaft in "N" position.
- Loosen inhibitor switch fixing bolts.



- Insert pin into adjustment holes in both inhibitor switch and manual shaft as near vertical as possible.
- Reinstall any part removed.
- Check continuity of inhibitor switch. Refer to AT-63.

GI

MA

EM

LC

EC

FE

CL

MT

AT

FA

RA

BR

ST

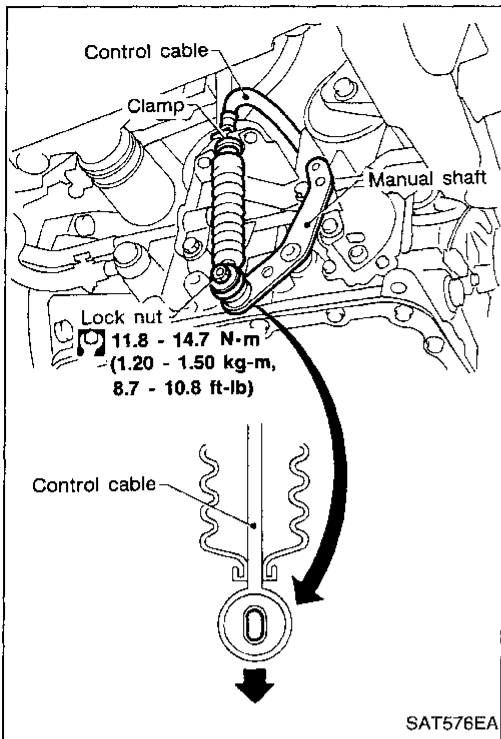
RS

BT

HA

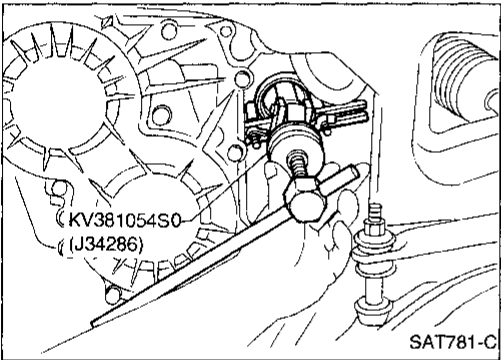
EL

IDX



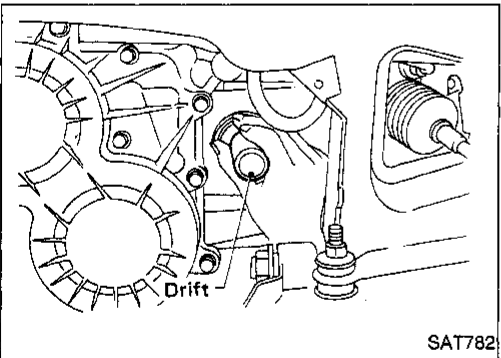
Control Cable Adjustment

- Move selector lever from the “P” position to the “1” position. You should be able to feel the detents in each position. If the detents cannot be felt or the pointer indicating the position is improperly aligned, the control cable needs adjustment.
1. Place selector lever in “P” position.
 2. Loosen control cable lock nut and place manual shaft in “P” position.
 3. Pull control cable in the direction of the arrow shown in the illustration by specified force.
Specified force: 6.9 N (0.7 kg, 1.5 lb)
 4. Return control cable in the opposite direction of the arrow for 1.0 mm (0.039 in).
 5. Tighten control cable lock nut.
 6. Move selector lever from “P” to “1” position again. Make sure that selector lever moves smoothly.
 7. Apply grease to contacting areas of selector lever and control cable. Install any part removed.



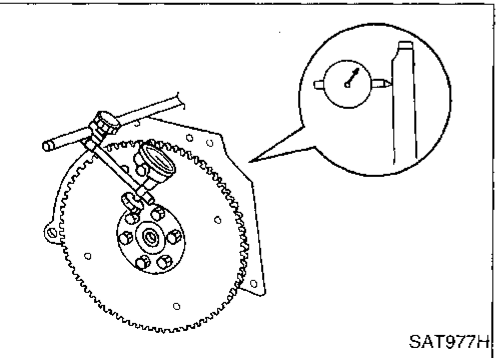
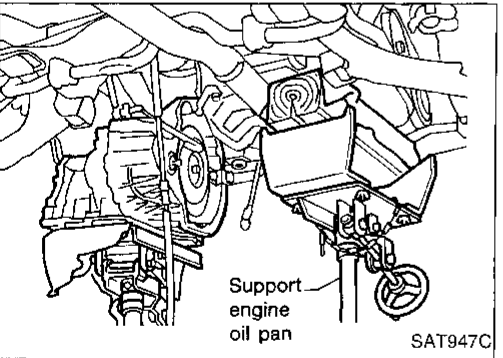
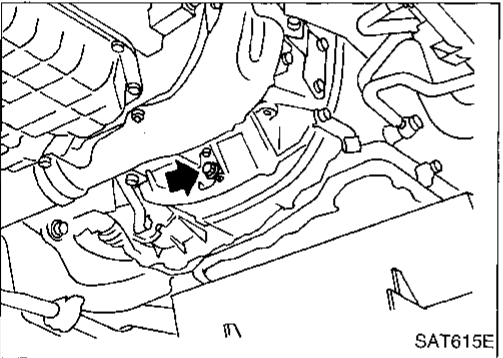
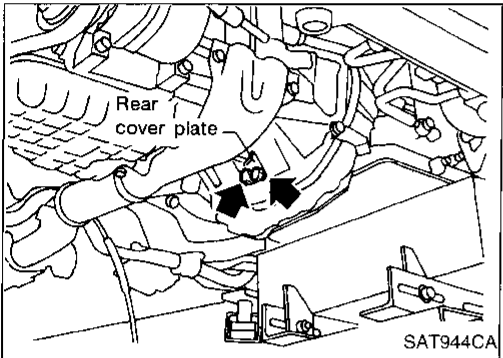
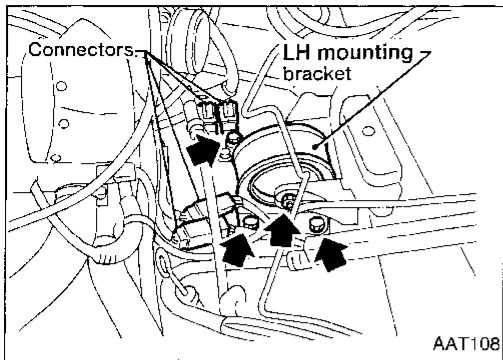
Differential Side Oil Seal Replacement

1. Remove drive shaft assembly. Refer to FA section (“Drive Shaft”, “FRONT AXLE”).
2. Remove oil seal.



3. Install oil seal.
 - **Apply ATF before installing.**
4. Reinstall any part removed.

REMOVAL AND INSTALLATION



Removal

CAUTION:

When removing the transaxle assembly from engine, first remove the crankshaft position sensor (POS) from the assembly.

Be careful not to damage sensor edge.

1. Remove battery and bracket.
2. Remove air cleaner and resonator.
3. Disconnect terminal cord assembly harness connector and inhibitor switch harness connectors.
4. Disconnect harness connectors of revolution sensor and vehicle speed sensor.
5. Remove crankshaft position sensor (POS) from transaxle.
6. Remove LH engine mounting from transaxle and body. Tighten LH engine mounting bolts to the specified torque. Refer to EM section ("ENGINE REMOVAL").
7. Disconnect control cable at transaxle side.
8. Drain ATF.
9. Remove drive shafts. Refer to FA section ("Drive Shaft", "FRONT AXLE").
10. Disconnect oil cooler piping.
11. Remove starter motor from transaxle.
12. Support engine by placing a jack under oil pan.
 - Do not place jack under oil pan drain plug.
13. Remove center member. Tighten center member bolts to the specified torque. Refer to EM section ("ENGINE REMOVAL").
14. Remove rear cover plate and bolts securing torque converter to drive plate. Tighten rear plate cover bolts to the specified torque. Refer to EM section ("OIL PAN").
 - Rotate crankshaft for access to securing bolts.

15. Support transaxle with a jack.
16. Remove bolts fixing A/T to engine.
17. Lower transaxle while supporting it with a jack.

Installation

- Drive plate runout

CAUTION:

Do not allow any magnetic materials to contact the ring gear teeth.

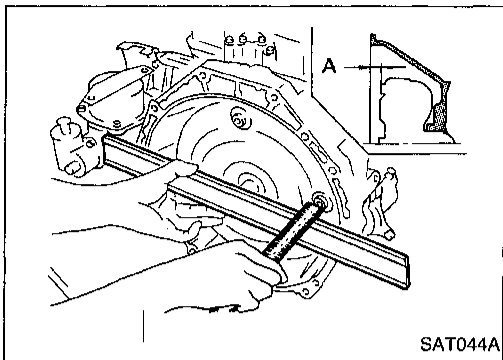
Maximum allowable runout:

Refer to EM section ("Inspection", "CYLINDER BLOCK").

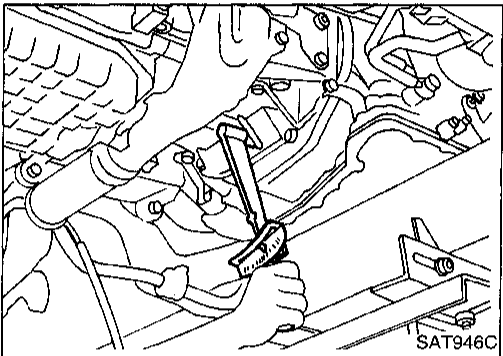
- If this runout is out of allowance, replace drive plate with ring gear.

REMOVAL AND INSTALLATION

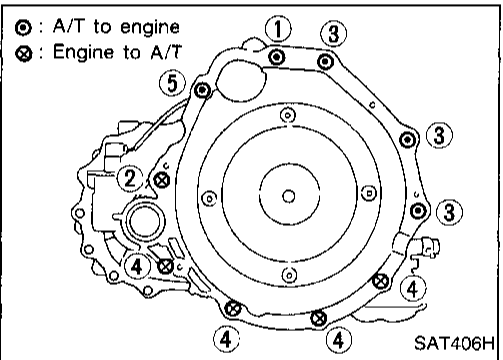
Installation (Cont'd)



- When connecting torque converter to transaxle, measure distance "A" to be certain that they are correctly assembled.
Distance "A":
14 mm (0.55 in) or more



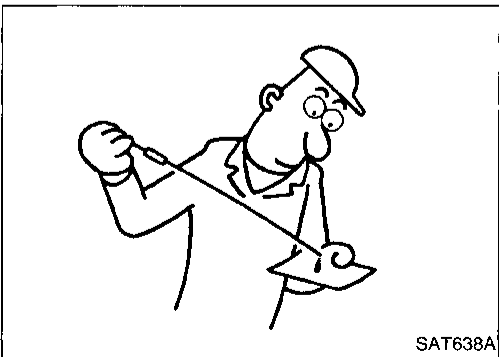
- Install bolts fixing converter to drive plate.
- With converter installed, rotate crankshaft several turns to check that transaxle rotates freely without binding.**



- Tighten bolt securing transaxle.

Bolt No.	Tightening torque N-m (kg-m, ft-lb)	ℓmm (in)
①	70 - 79 (7.1 - 8.1, 51 - 59)	65 (2.56)
②	70 - 79 (7.1 - 8.1, 51 - 59)	52 (2.05)
③	70 - 79 (7.1 - 8.1, 51 - 59)	52 (2.05)
④	70 - 79 (7.1 - 8.1, 51 - 59)	40 (1.57)
⑤	70 - 79 (7.1 - 8.1, 51 - 59)	124 (4.88)

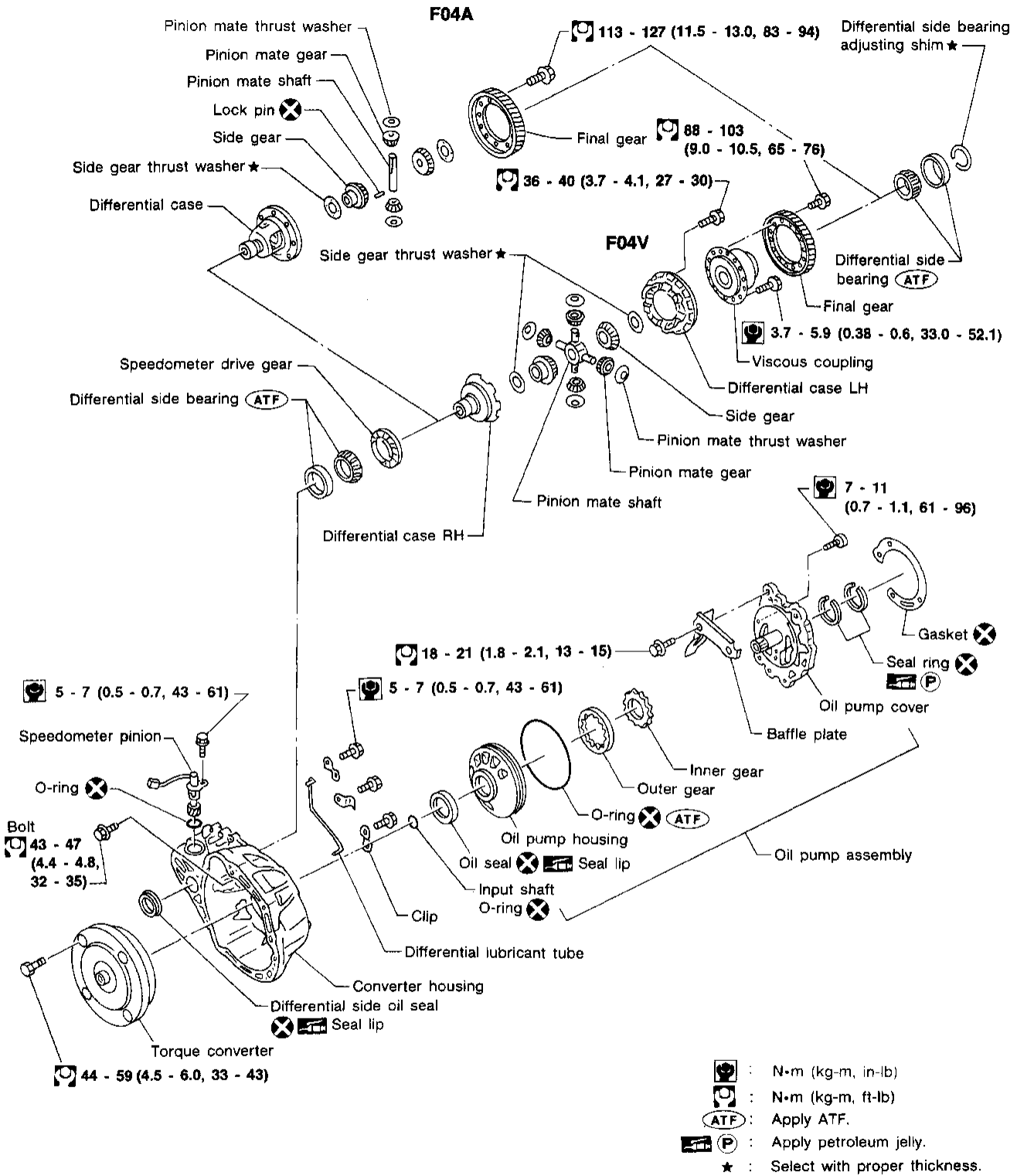
- Reinstall any part removed.



- Check fluid level in transaxle.
- Move selector lever through all positions to be sure that transaxle operates correctly.
 With parking brake applied, rotate engine at idling. Move selector lever through "N" to "D", to "2", to "1" and to "R" position. A slight shock should be felt by hand gripping selector each time transaxle is shifted.
- Perform road test. Refer to AT-39.

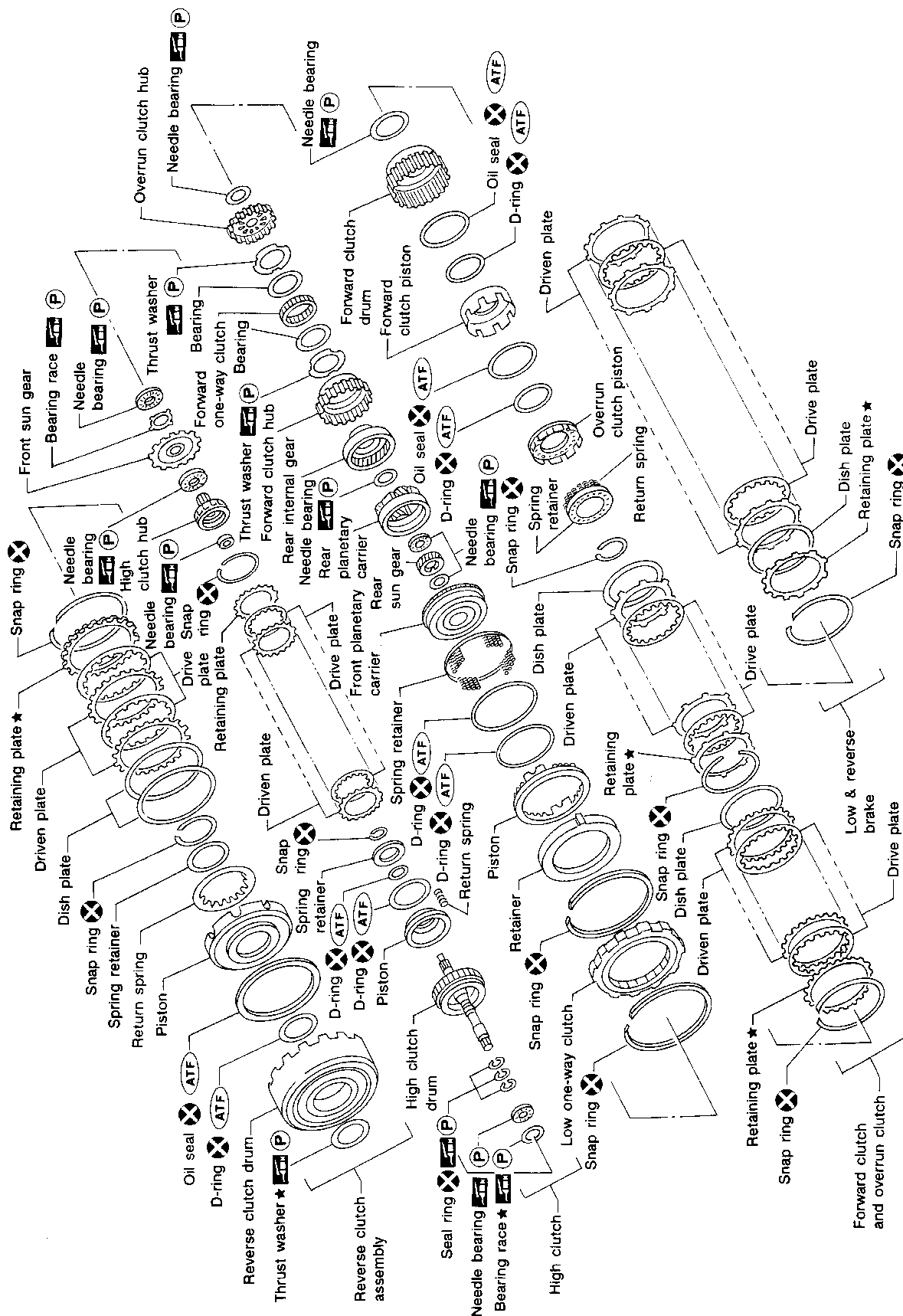
MAJOR OVERHAUL

SEC. 311-313-327-381



GI
MA
EM
LC
EC
FE
CL
MT
AT
FA
RA
BR
ST
RS
BT
HA
EL
IDX

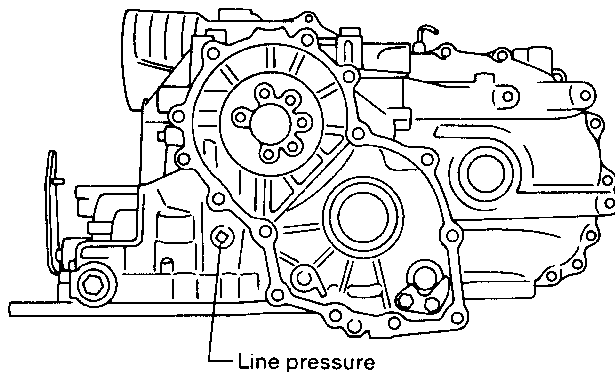
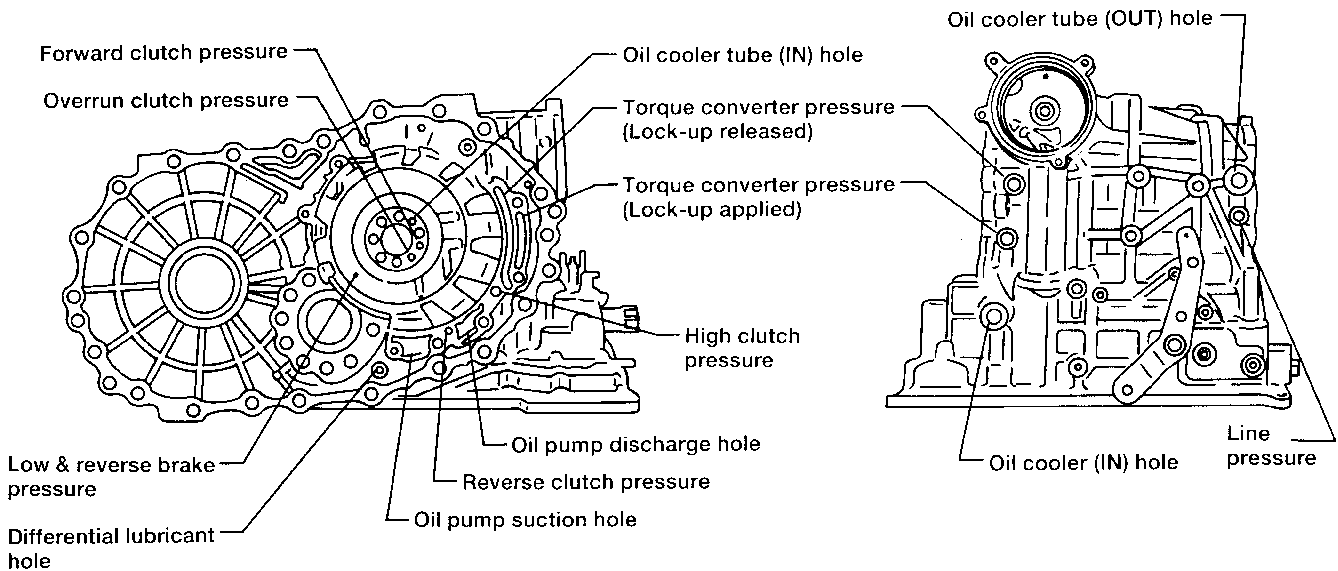
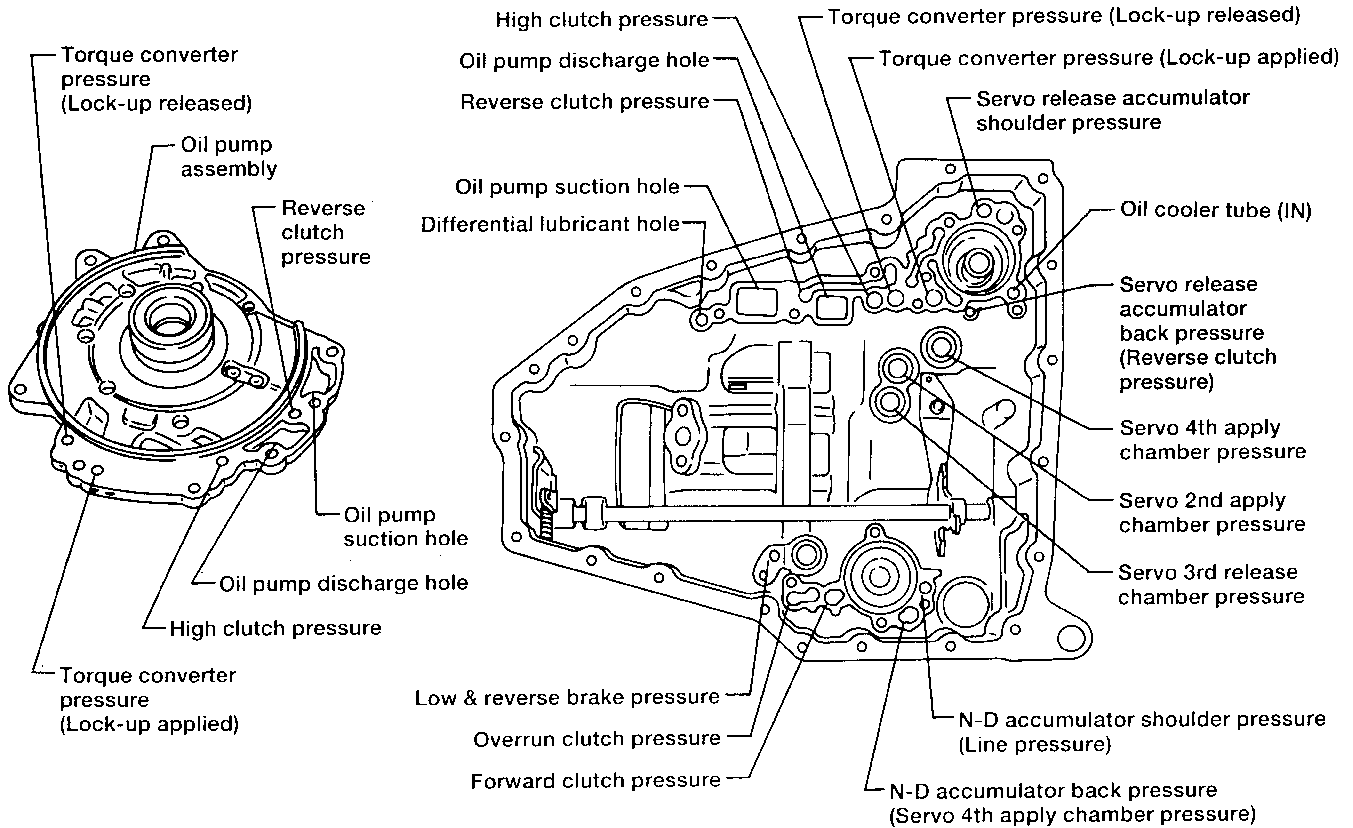
SEC. 315



ATF : Apply ATF.
P : Apply petroleum jelly.
★ : Select proper thickness.

MAJOR OVERHAUL

Oil Channel



MAJOR OVERHAUL

Locations of Adjusting Shims, Needle Bearings, Thrust Washers and Snap Rings

Outer diameter of thrust washers

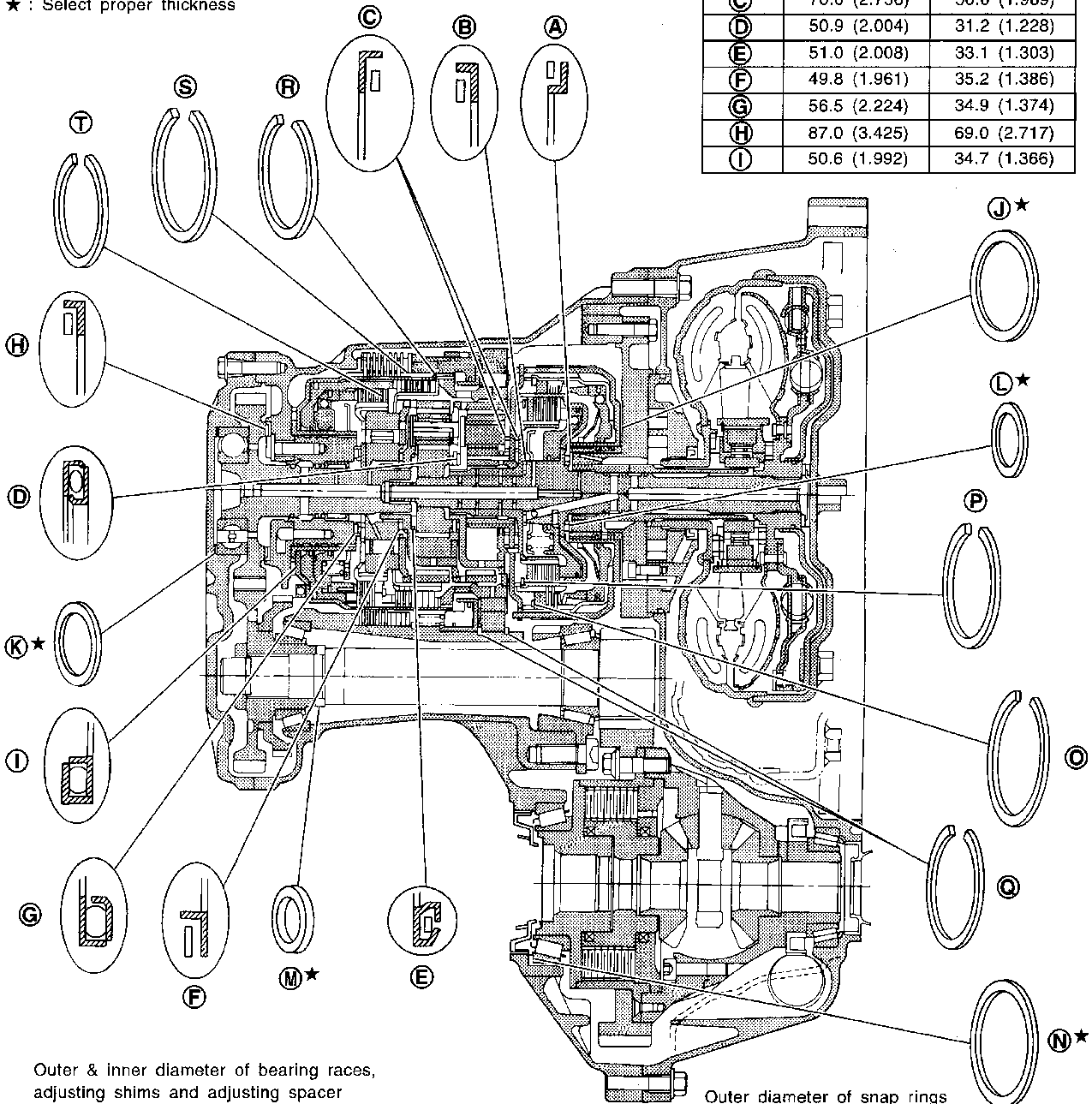
Item number	Outer diameter mm (in)
J ★	76.0 (2.992)
K ★	80.0 (3.150)

★ : Select proper thickness

Outer and inner diameter of needle bearings

Item number	Outer diameter mm (in)	Inner diameter mm (in)
A	49.8 (1.961)	35.2 (1.386)
B	41.8 (1.646)	23.1 (0.909)
C	70.0 (2.756)	50.0 (1.969)
D	50.9 (2.004)	31.2 (1.228)
E	51.0 (2.008)	33.1 (1.303)
F	49.8 (1.961)	35.2 (1.386)
G	56.5 (2.224)	34.9 (1.374)
H	87.0 (3.425)	69.0 (2.717)
I	50.6 (1.992)	34.7 (1.366)

GI
MA
EM
LC
EC
FE
CL
MT
AT
FA
RA
BR
ST
RS
BT
HA
EL
IDX



Outer & inner diameter of bearing races, adjusting shims and adjusting spacer

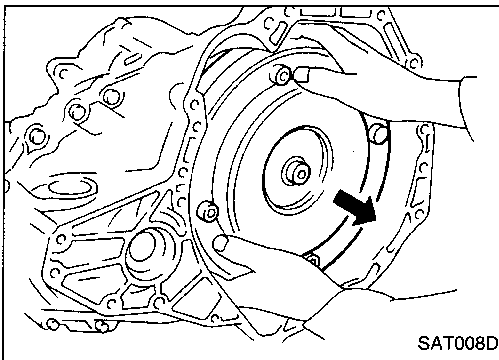
Item number	Outer diameter mm (in)	Inner diameter mm (in)	
L ★	51.0 (2.008)	36.0 (1.417)	
M ★	38.0 (1.496)	28.1 (1.106)	
N ★	75.0 (2.953)	68.0 (2.677)	04A
	98.0 (3.858)	91.0 (3.583)	04V

★ : Select proper thickness

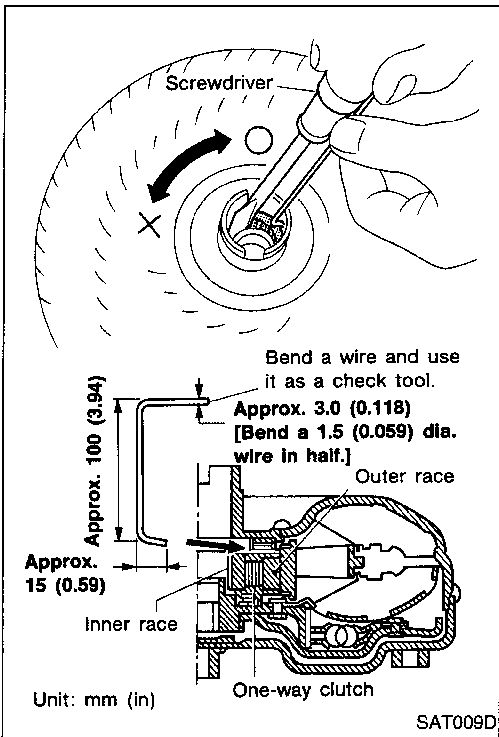
Outer diameter of snap rings

Item number	Outer diameter mm (in)
O	150 (5.91)
P	119.1 (4.689)
Q	182.8 (7.197)
R	144.8 (5.701)
S	173.8 (6.843)
T	133.9 (5.272)

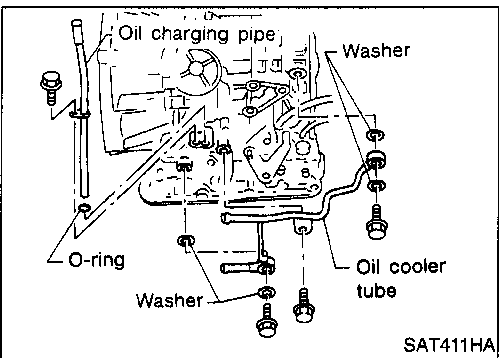
DISASSEMBLY



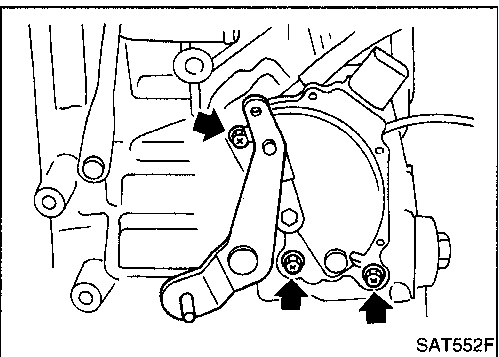
1. Drain ATF through drain plug.
2. Remove torque converter.



3. Check torque converter one-way clutch using check tool as shown at left.
 - a. Insert check tool into the groove of bearing support built into one-way clutch outer race.
 - b. When fixing bearing support with check tool, rotate one-way clutch spline using screwdriver.
 - c. Check that inner race rotates clockwise only. If not, replace torque converter assembly.

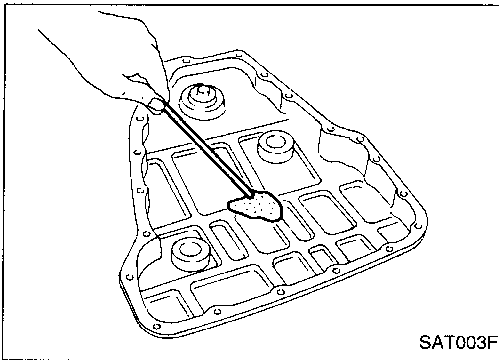


4. Remove oil charging pipe and oil cooler tube.

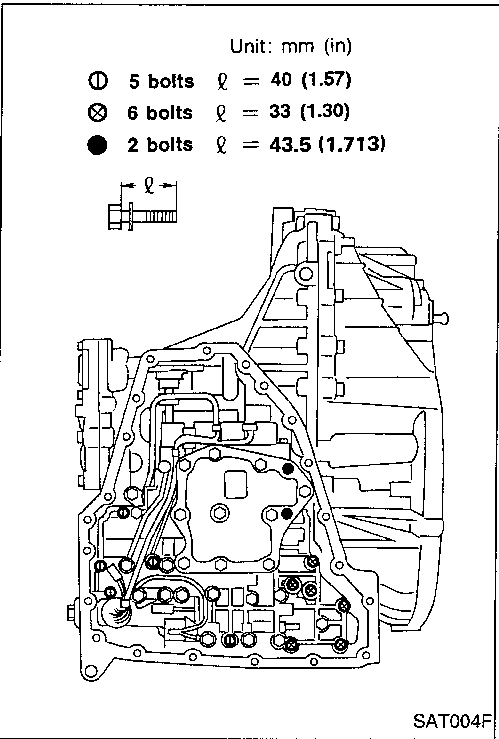


5. Set manual shaft to position "P".
6. Remove inhibitor switch.

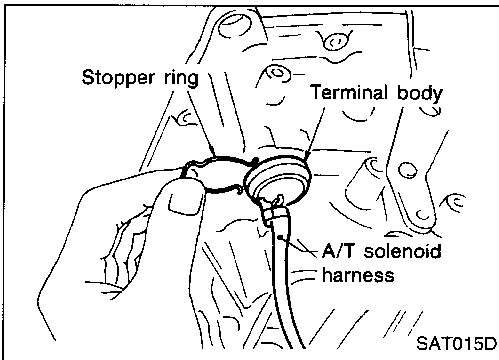
DISASSEMBLY



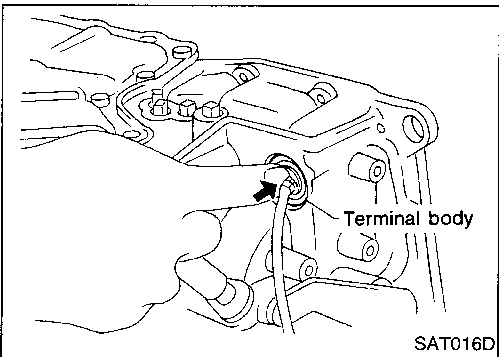
SAT003F



SAT004F



SAT015D



SAT016D

7. Remove oil pan and oil pan gasket.
 - **Do not reuse oil pan bolts.**
8. Check foreign materials in oil pan to help determine causes of malfunction. If the fluid is very dark, smells burned, or contains foreign particles, the frictional material (clutches, band) may need replacement. A tacky film that will not wipe clean indicates varnish build up. Varnish can cause valves, servo, and clutches to stick and may inhibit pump pressure.
 - **If frictional material is detected, replace radiator after repair of A/T. Refer to LC section ("Radiator", "ENGINE COOLING SYSTEM").**
9. Remove control valve assembly according to the following procedures.
 - a. Remove control valve assembly by removing fixing bolts ①, ⊗ and ●.
 - **Be careful not to drop manual valve and servo release accumulator return spring.**

GI

NA

EM

LC

EC

FE

CL

MT

AT

FA

RA

BR

ST

RS

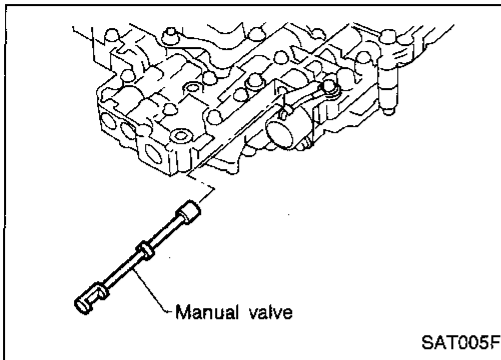
BT

HA

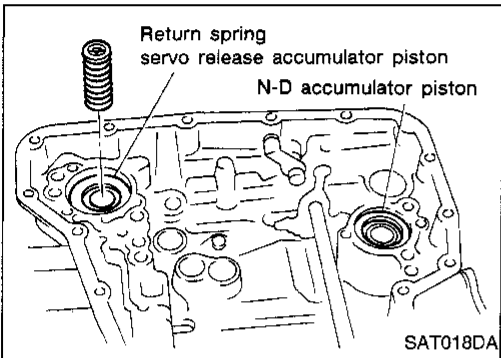
EL

IDX

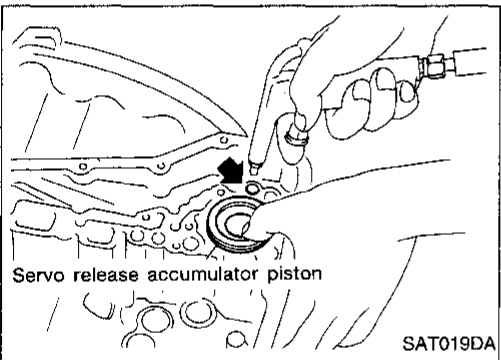
DISASSEMBLY



10. Remove manual valve from control valve assembly.

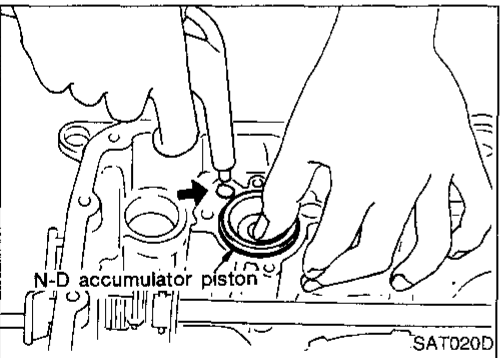


11. Remove return spring from servo release accumulator piston.



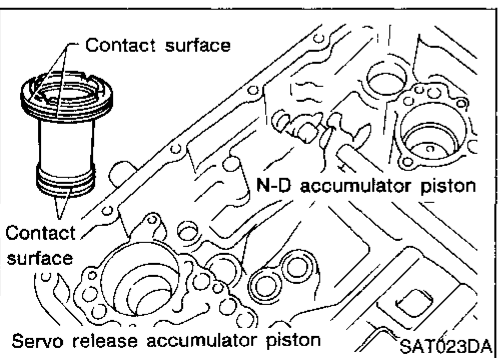
12. Remove servo release accumulator piston with compressed air.

13. Remove O-rings from servo release accumulator piston.



14. Remove N-D accumulator piston and return spring with compressed air.

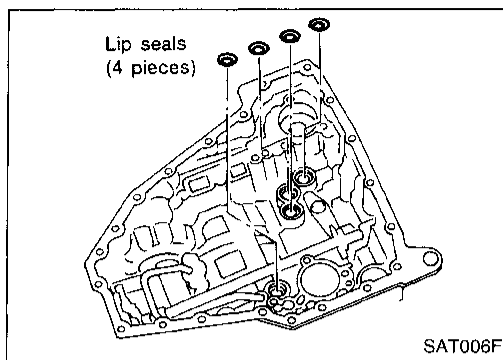
15. Remove O-rings from N-D accumulator piston.



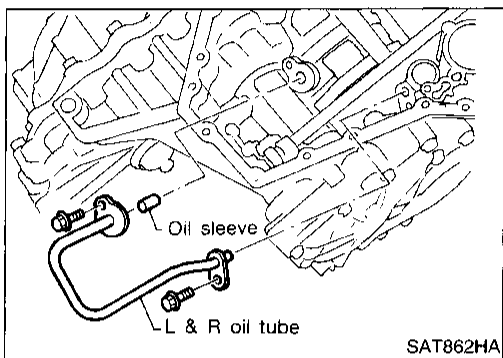
16. Check accumulator pistons and contact surface of transmission case for damage.

17. Check accumulator return springs for damage and free length.

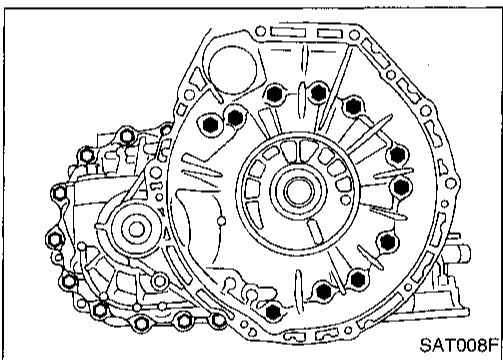
DISASSEMBLY



18. Remove lip seals.

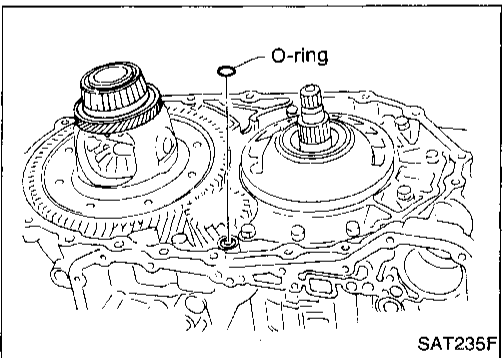


19. Remove L & R oil tube and oil sleeve.

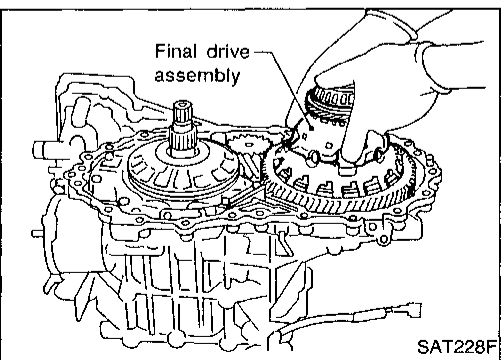


20. Remove converter housing according to the following procedures.

- a. Remove converter housing mounting bolts.
- b. Remove converter housing by tapping it lightly.



c. Remove O-ring from differential oil port.



21. Remove final drive assembly from transmission case.

GI

MA

EM

LC

EC

FE

CL

MT

AT

FA

RA

BR

ST

RS

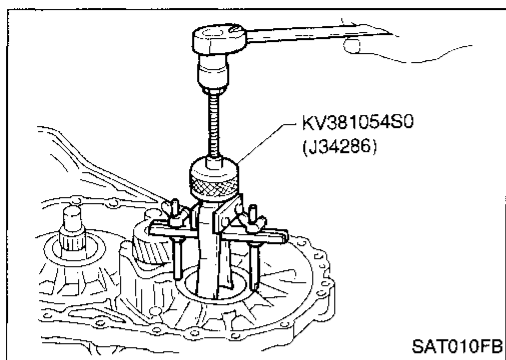
BT

HA

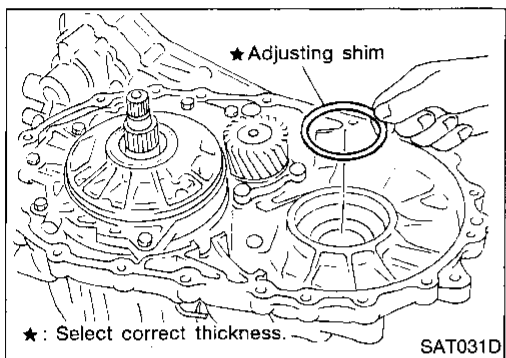
EL

IDX

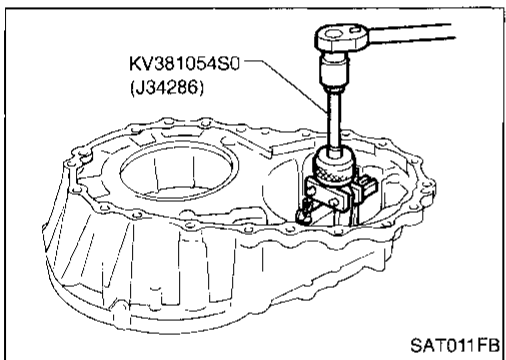
DISASSEMBLY



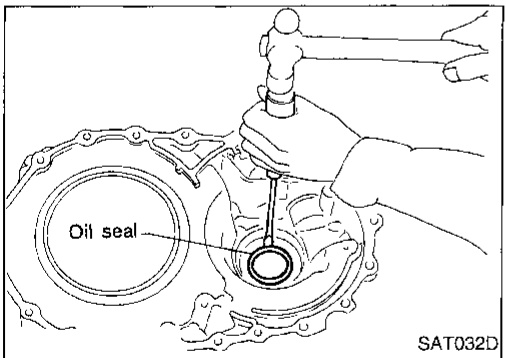
22. Remove differential side bearing outer race from transmission case.



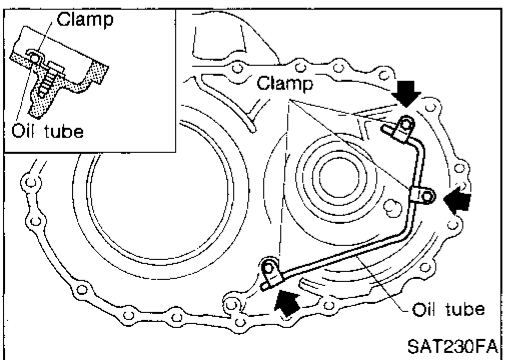
23. Remove differential side bearing adjusting shim from transmission case.



24. Remove differential side bearing outer race from converter housing.

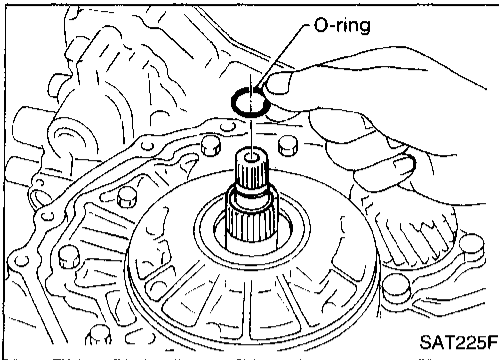


25. Remove oil seal with screwdriver from converter housing.
- **Be careful not to damage case.**



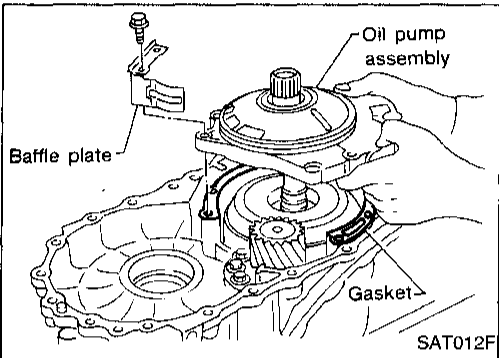
26. Remove oil tube from converter housing.

DISASSEMBLY

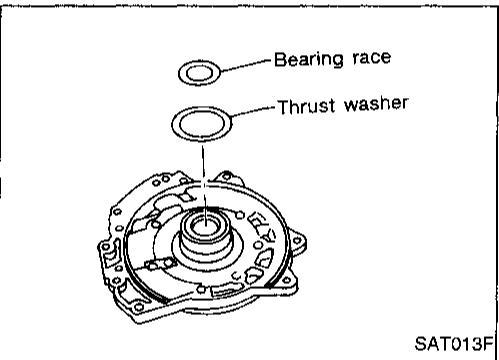


27. Remove oil pump according to the following procedures.

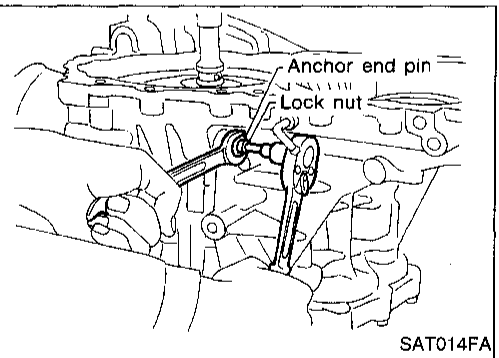
a. Remove O-ring from input shaft.



b. Remove oil pump assembly, baffle plate and gasket from transmission case.



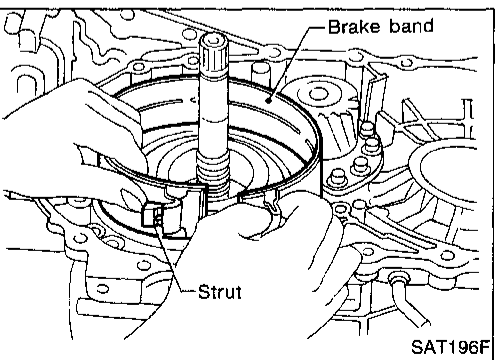
c. Remove thrust washer and bearing race from oil pump assembly.



28. Remove brake band according to the following procedures.

a. Loosen lock nut, then back off anchor end pin.

- Do not reuse anchor end pin.



b. Remove brake band and strut from transmission case.

GI

MA

EM

LC

EC

FE

CL

MT

AT

FA

RA

BR

ST

RS

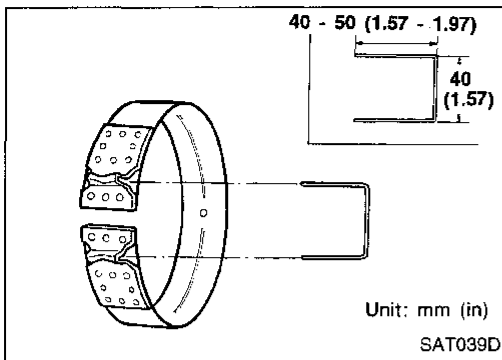
BT

HA

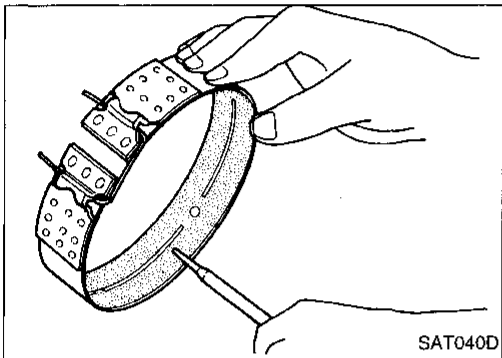
EL

IDX

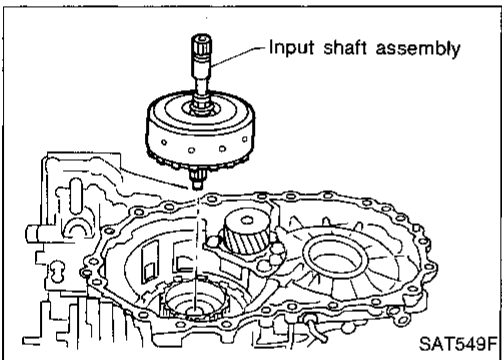
DISASSEMBLY



- To prevent brake linings from cracking or peeling, do not stretch the flexible band unnecessarily. When removing the brake band, always secure it with a clip as shown in the figure at left. Leave the clip in position after removing the brake band.

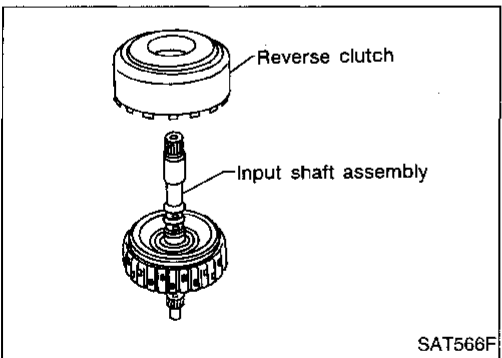


- c. Check brake band facing for damage, cracks, wear or burns.

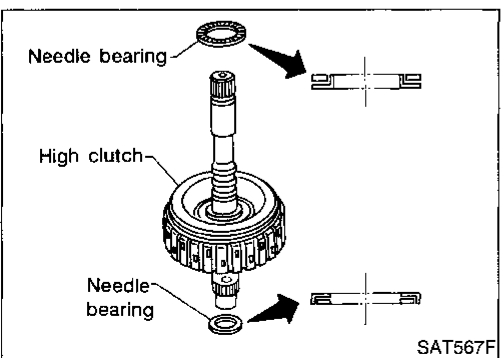


29. Remove input shaft assembly (high clutch) and reverse clutch according to the following procedures.

- a. Remove input shaft assembly (high clutch) with reverse clutch.

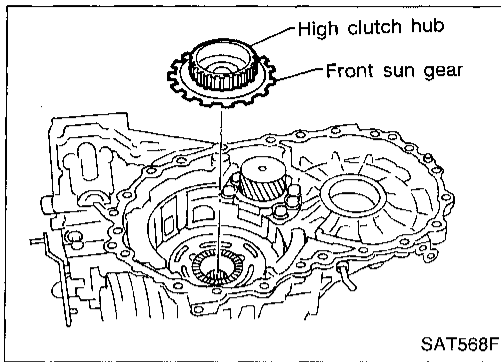


- b. Remove input shaft assembly (high clutch) from reverse clutch.

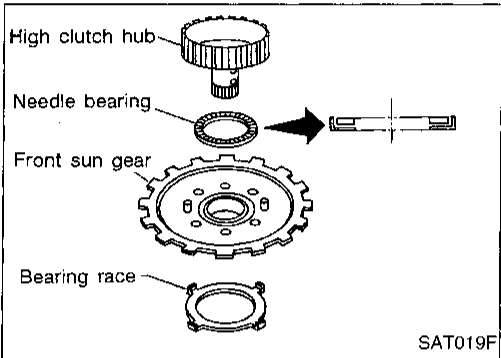


- c. Remove needle bearings from high clutch drum and check for damage or wear.

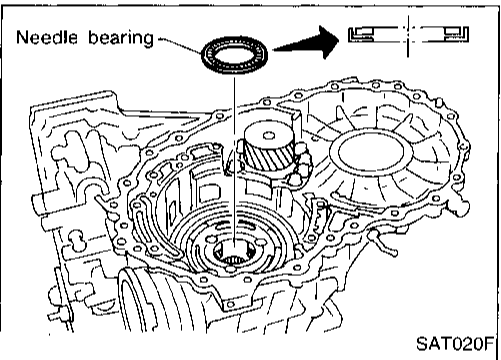
DISASSEMBLY



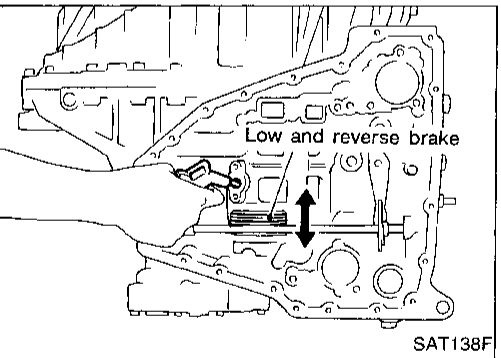
- d. Remove high clutch hub and front sun gear from transmission case.



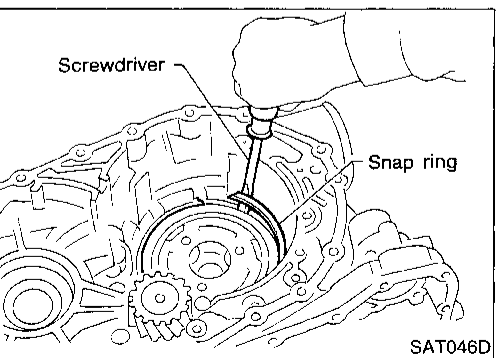
- e. Remove front sun gear and needle bearing from high clutch hub and check for damage or wear.
f. Remove bearing race from front sun gear and check for damage or wear.



30. Remove needle bearing from transmission case and check for damage or wear.



31. Apply compressed air and check to see that low and reverse brake operates.



32. Remove low one-way clutch and front planetary carrier assembly according to the following procedures.
a. Remove snap ring with flat-bladed screwdriver.

GI

MA

EM

LC

EC

FE

CL

MT

AT

FA

RA

BR

ST

RS

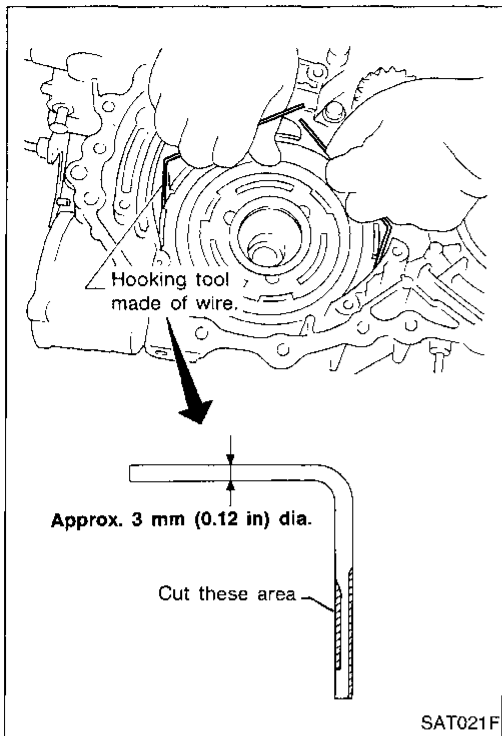
BT

HA

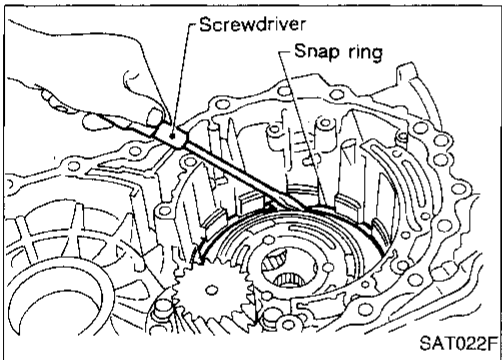
EL

IDX

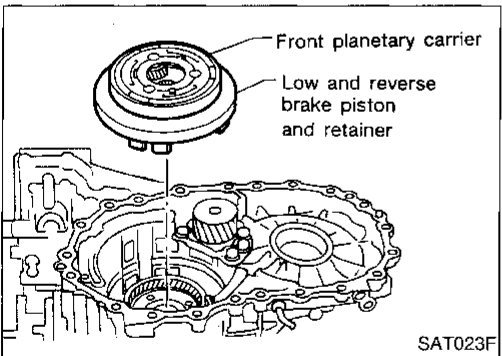
DISASSEMBLY



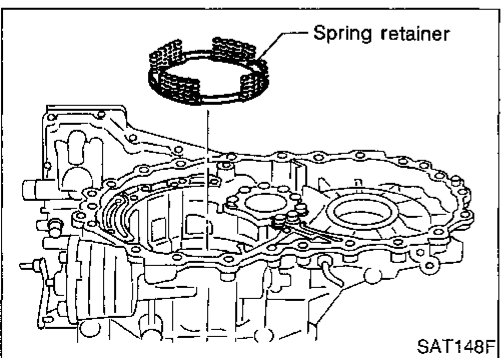
- b. Remove low one way clutch with a hook made of wire.



- c. Remove snap ring with flat-bladed screwdriver.

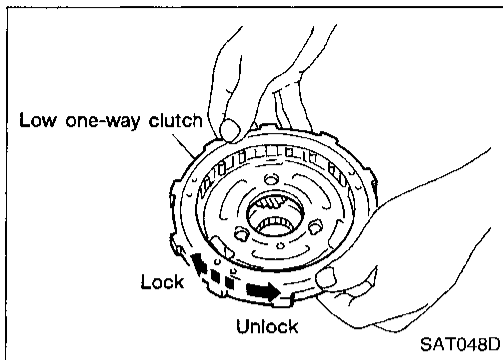


- d. Remove front planetary carrier with low and reverse brake piston and retainer.

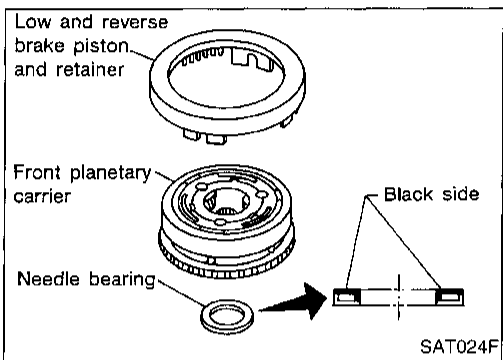


- e. Remove low and reverse brake spring retainer.
- Do not remove return springs from spring retainer.

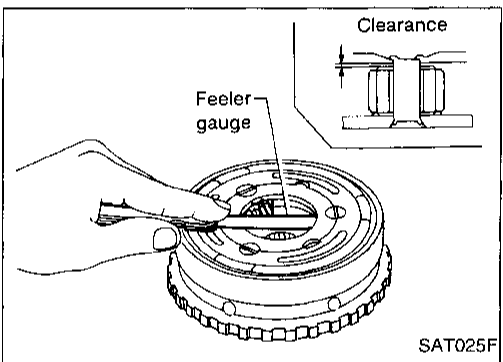
DISASSEMBLY



- f. Check that low one-way clutch rotates in the direction of the arrow and locks in the opposite direction.



- g. Remove needle bearing, low and reverse brake piston and retainer from front planetary carrier.



- h. Check front planetary carrier, low one-way clutch and needle bearing for damage or wear.
- i. Check clearance between planetary gears and planetary carrier with feeler gauge.

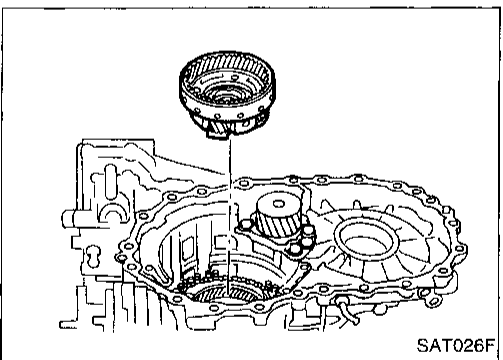
Standard clearance:

0.20 - 0.70 mm (0.0079 - 0.0276 in)

Allowable limit:

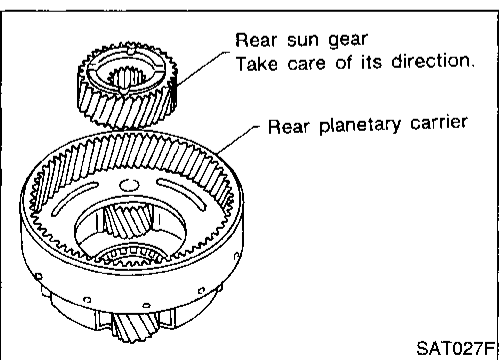
0.80 mm (0.0315 in)

Replace front planetary carrier if the clearance exceeds allowable limit.



33. Remove rear planetary carrier assembly and rear sun gear according to the following procedures.

- a. Remove rear planetary carrier assembly from transmission case.



- b. Remove rear sun gear from rear planetary carrier.

GI

MA

EM

LC

EC

FE

CL

MT

AT

FA

RA

BR

ST

RS

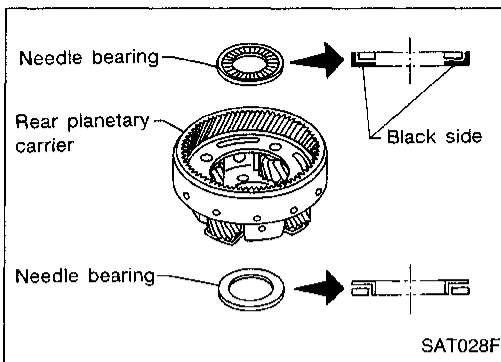
BT

HA

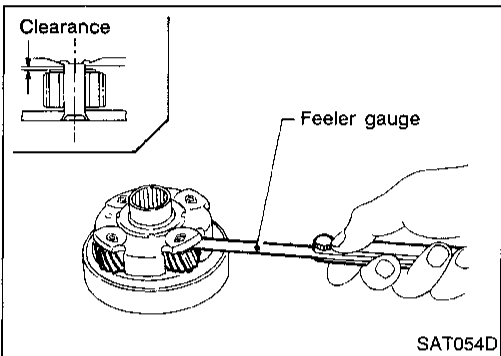
EL

IDX

DISASSEMBLY



c. Remove needle bearings from rear planetary carrier assembly.



d. Check rear planetary carrier, rear sun gear and needle bearings for damage or wear.

e. Check clearance between pinion washer and rear planetary carrier with feeler gauge.

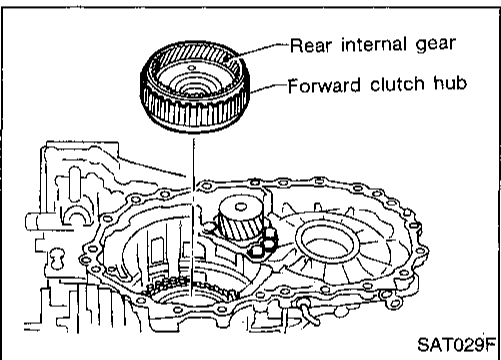
Standard clearance:

0.20 - 0.70 mm (0.0079 - 0.0276 in)

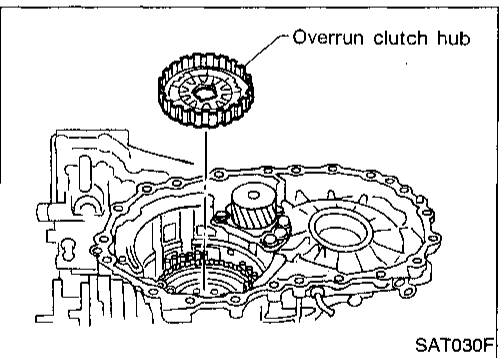
Allowable limit:

0.80 mm (0.0315 in)

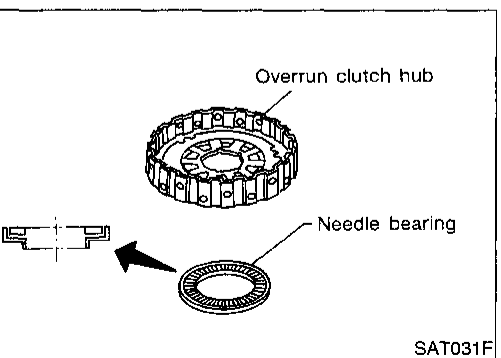
Replace rear planetary carrier if the clearance exceeds allowable limit.



34. Remove rear internal gear and forward clutch hub from transmission case.

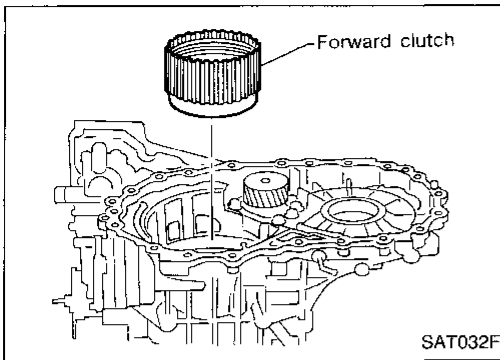


35. Remove overrun clutch hub from transmission case.

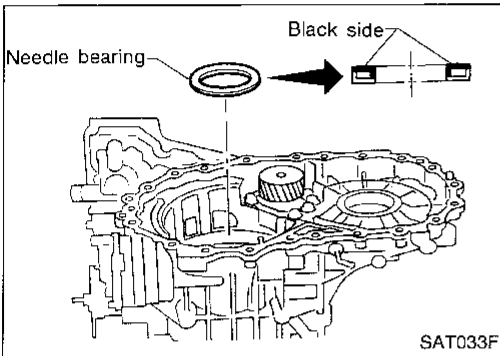


36. Remove needle bearing from overrun clutch hub and check for damage or wear.

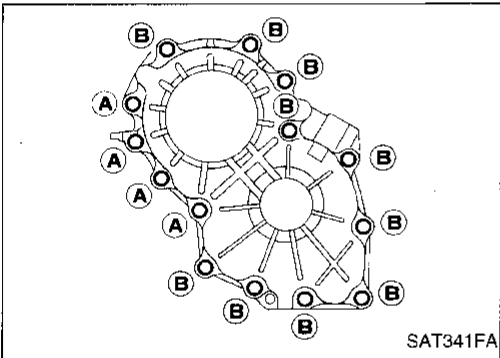
DISASSEMBLY



37. Remove forward clutch assembly from transmission case.



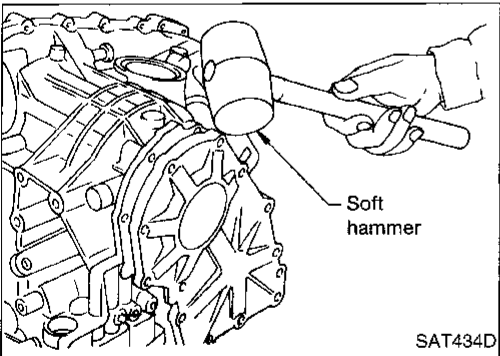
38. Remove needle bearing from transmission case.



39. Remove output shaft assembly according to the following procedures.

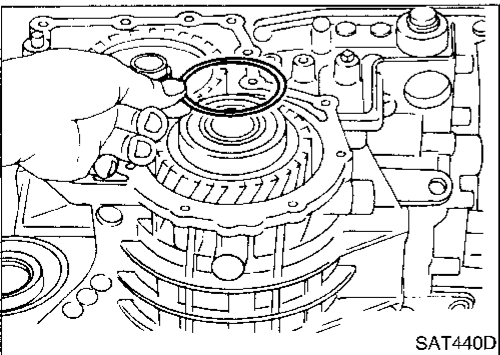
a. Remove side cover bolts.

- Do not mix bolts **(A)** and **(B)**.
- Always replace bolts **(A)** as they are self-sealing bolts.



b. Remove side cover by lightly tapping it with a soft hammer.

- Be careful not to drop output shaft assembly. It might come out when removing side cover.



c. Remove adjusting shim.

GI

MA

EM

LC

EC

FE

CL

MT

AT

FA

RA

BR

ST

RS

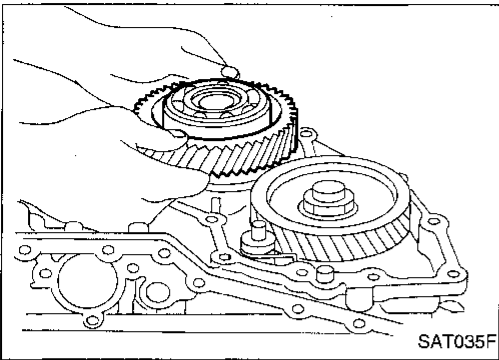
BT

HA

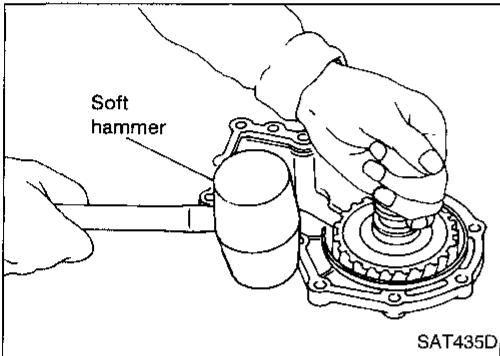
EL

IDX

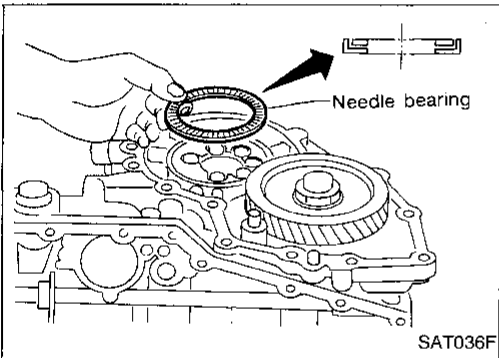
DISASSEMBLY



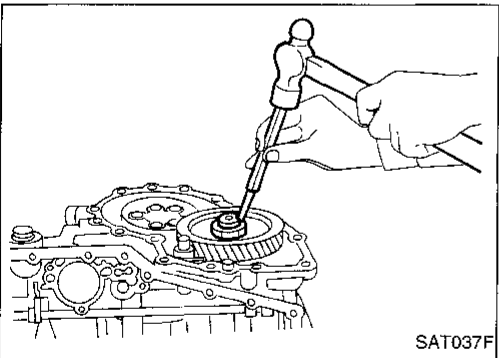
d. Remove output shaft assembly.



- If output shaft assembly came off with side cover, tap cover with a soft hammer to separate.

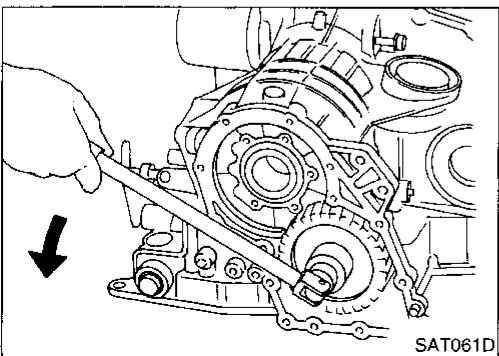


e. Remove needle bearing.



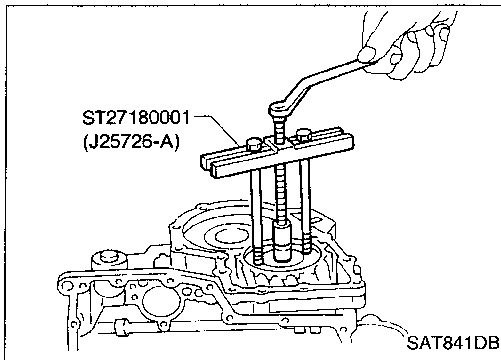
40. Disassemble reduction pinion gear according to the following procedures.

- a. Set manual lever to position "P" to fix idler gear.
- b. Unlock idler gear lock nut using a pin punch.

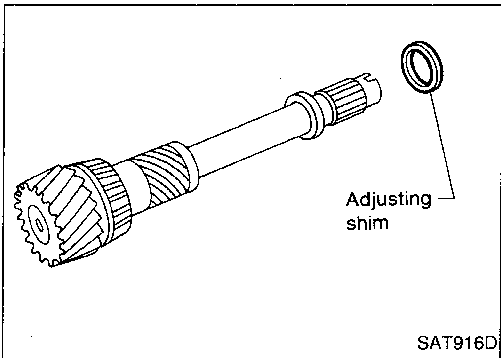


- c. Remove idler gear lock nut.
- **Do not reuse idler gear lock nut.**

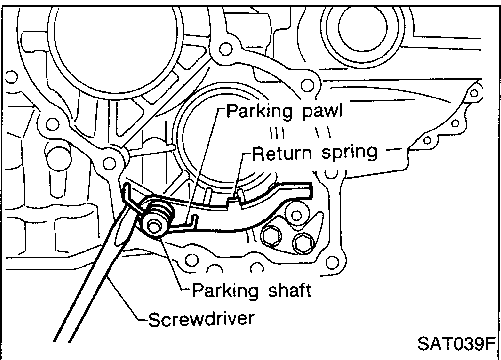
DISASSEMBLY



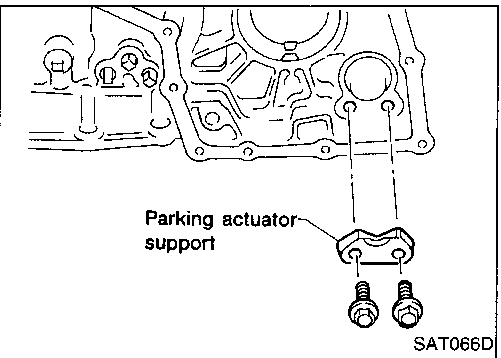
d. Remove idler gear with puller.



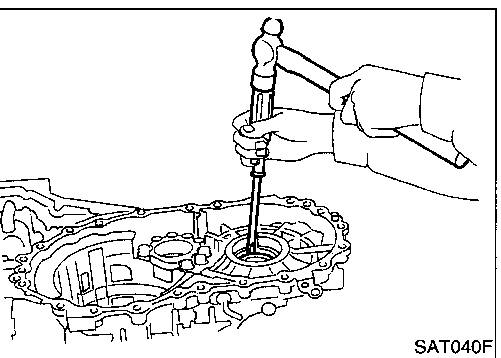
e. Remove reduction pinion gear.
f. Remove adjusting shim from reduction pinion gear.



41. Remove return spring from parking shaft with screwdriver.
42. Draw out parking shaft and remove parking pawl from transmission case.
43. Check parking pawl and shaft for damage or wear.



44. Remove parking actuator support from transmission case.
45. Check parking actuator support for damage or wear.



46. Remove side oil seal with screwdriver from transmission case.

GI

MA

EM

LC

EC

FE

CL

MT

AT

FA

RA

BR

ST

RS

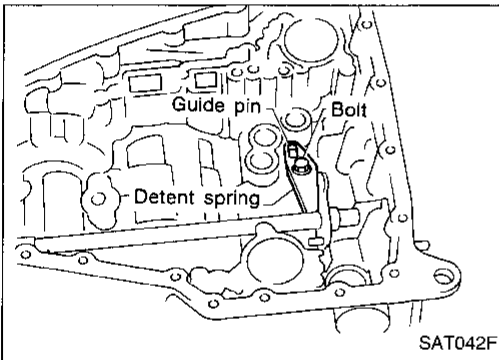
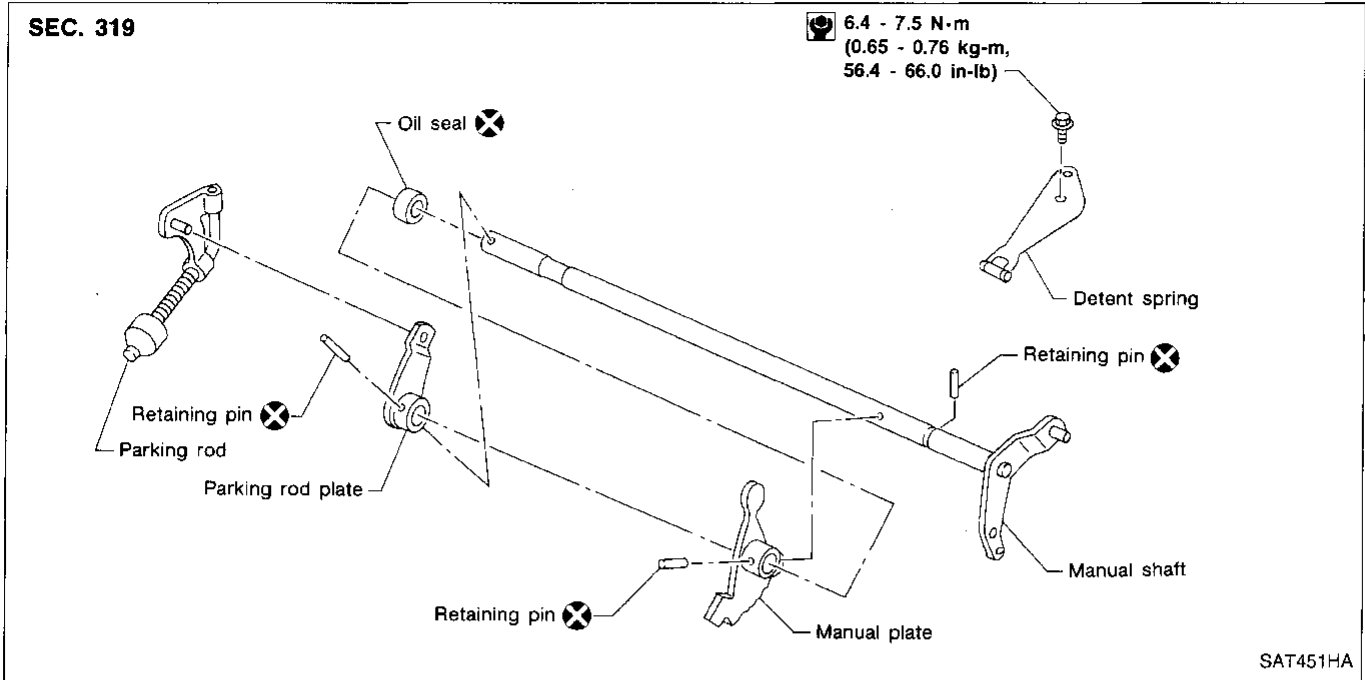
BT

HA

EL

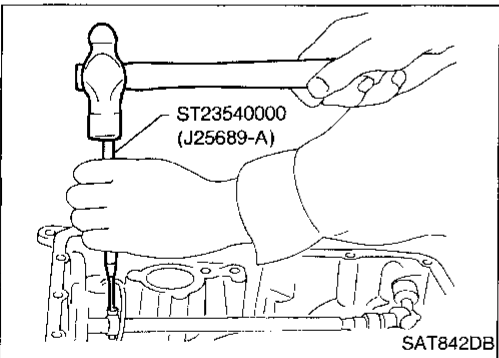
IDX

Manual Shaft

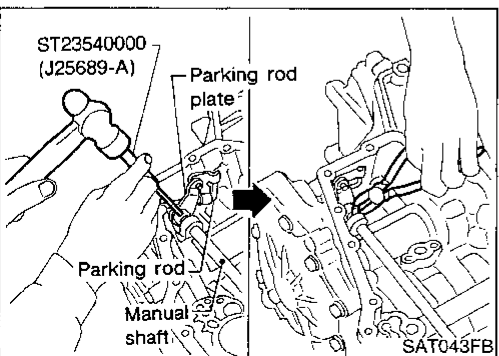


REMOVAL

1. Remove detent spring from transmission case.



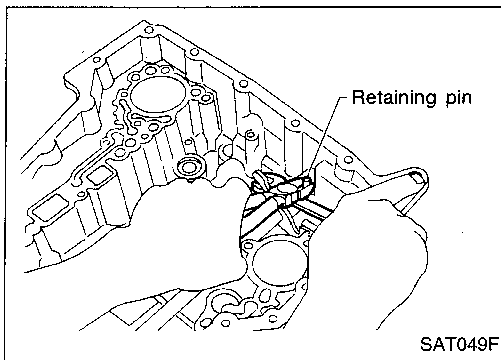
2. Drive out manual plate retaining pin.



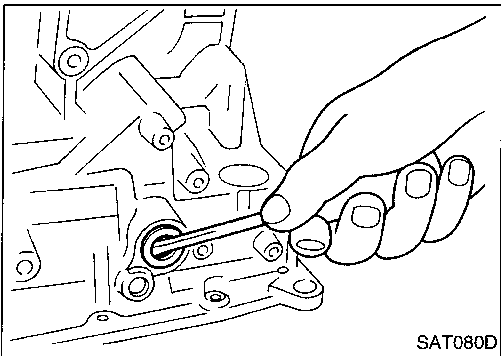
3. Drive and pull out parking rod plate retaining pin.
4. Remove parking rod plate from manual shaft.
5. Draw out parking rod from transmission case.

REPAIR FOR COMPONENT PARTS

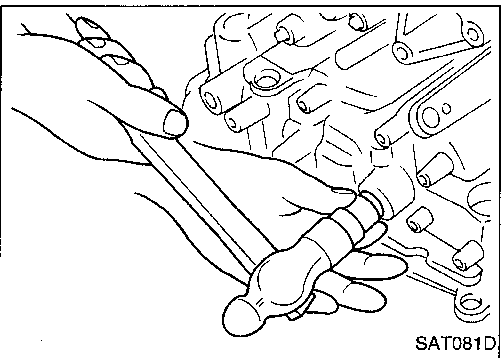
Manual Shaft (Cont'd)



6. Pull out manual shaft retaining pin.
7. Remove manual shaft and manual plate from transmission case.



8. Remove manual shaft oil seal.

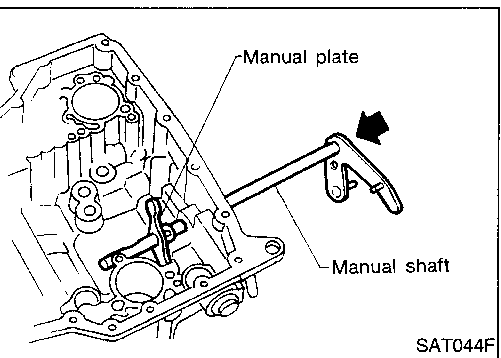


INSPECTION

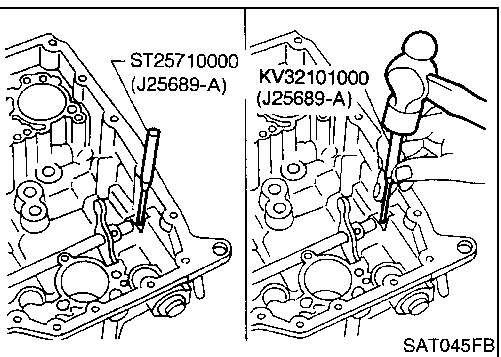
- Check component parts for wear or damage. Replace if necessary.

INSTALLATION

1. Install manual shaft oil seal.
 - **Apply ATF to outer surface of oil seal.**



2. Install manual shaft and manual plate.



3. Align groove of manual shaft and hole of transmission case.
4. Install manual shaft retaining pin up to bottom of hole.

GI

MA

EM

LC

EC

FE

CL

MT

AT

FA

RA

BR

ST

RS

BT

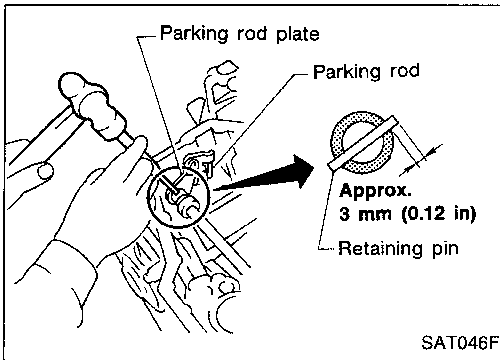
HA

EL

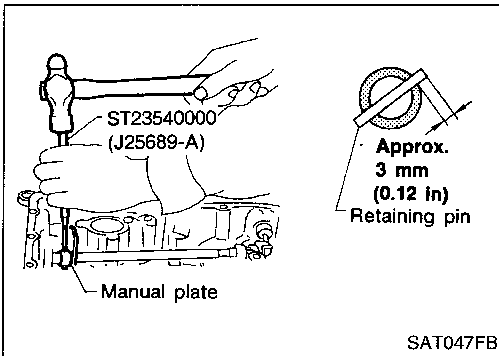
IDX

REPAIR FOR COMPONENT PARTS

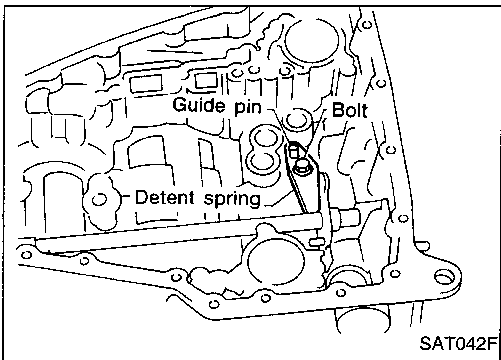
Manual Shaft (Cont'd)



5. Install parking rod to parking rod plate.
6. Set parking rod assembly onto manual shaft and drive retaining pin.
 - Both ends of pin should protrude.



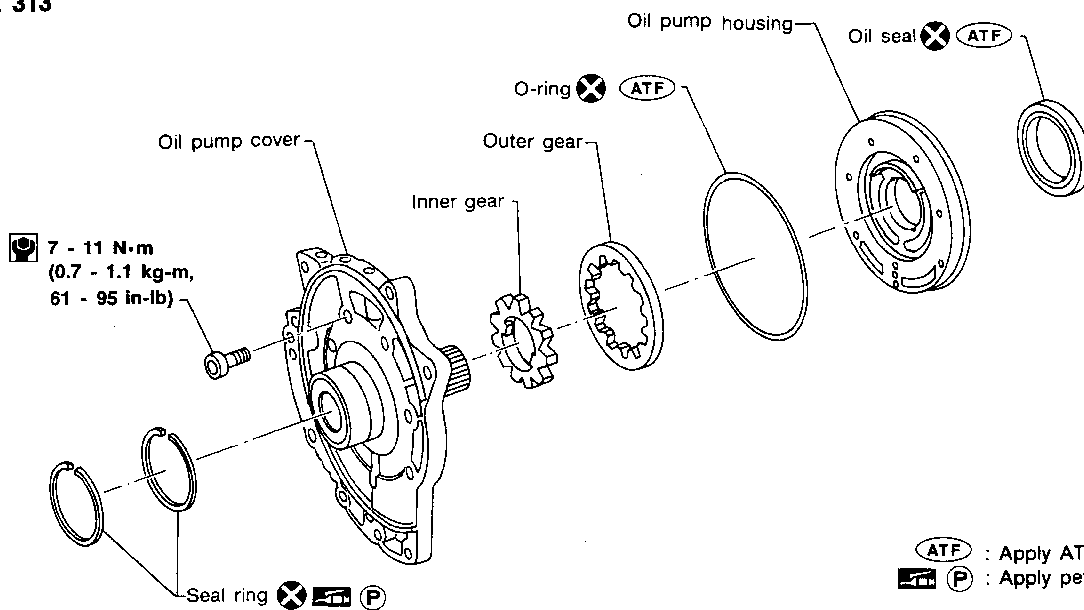
7. Drive manual plate retaining pin.
 - Both ends of pin should protrude.



8. Install detent spring.

Oil Pump

SEC. 313



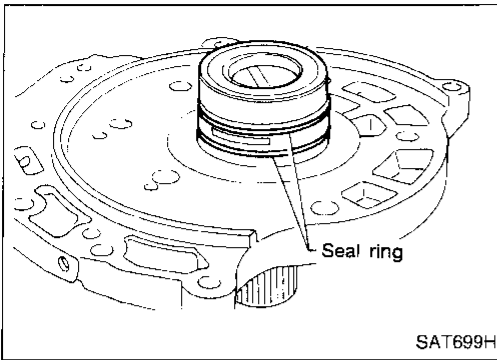
SAT050FC

REPAIR FOR COMPONENT PARTS

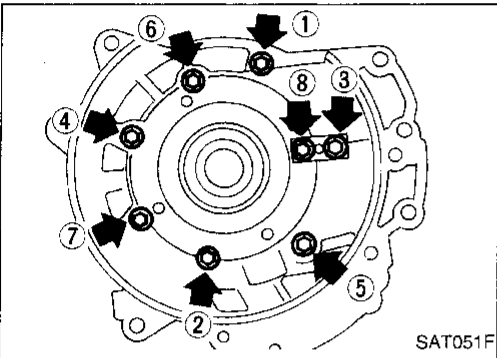
Oil Pump (Cont'd)

DISASSEMBLY

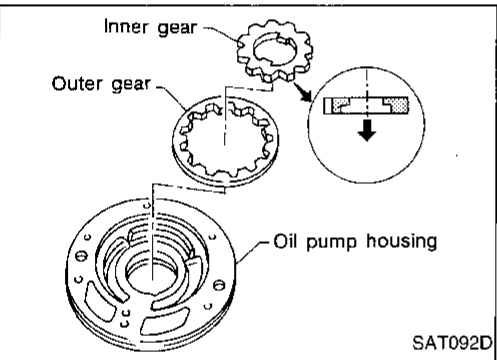
1. Remove seal rings.



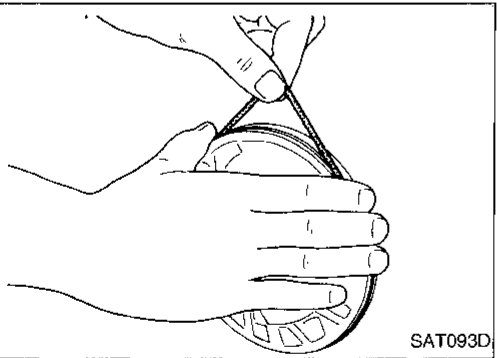
2. Loosen bolts in a crisscross pattern and remove oil pump cover.



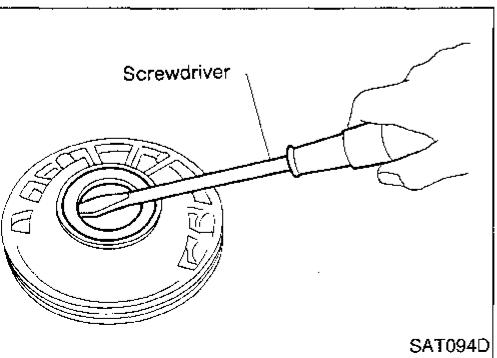
3. Remove inner and outer gear from oil pump housing.



4. Remove O-ring from oil pump housing.



5. Remove oil pump housing oil seal.



GI

MA

EM

LC

EC

FE

CL

MT

AT

FA

RA

BR

ST

RS

BT

HA

EL

IDX

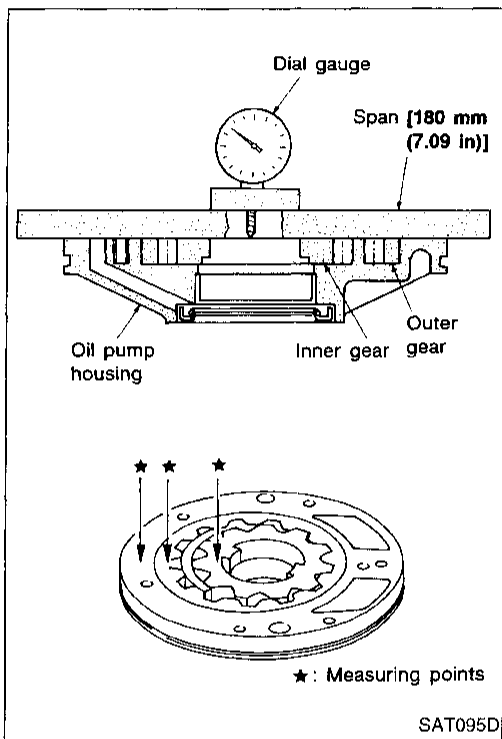
REPAIR FOR COMPONENT PARTS

Oil Pump (Cont'd)

INSPECTION

Oil pump housing, oil pump cover, inner gear and outer gear

- Check for wear or damage.



Side clearance

- Measure side clearance of inner and outer gears in at least four places around each outside edge. Maximum measured values should be within specified positions.

Standard clearance:

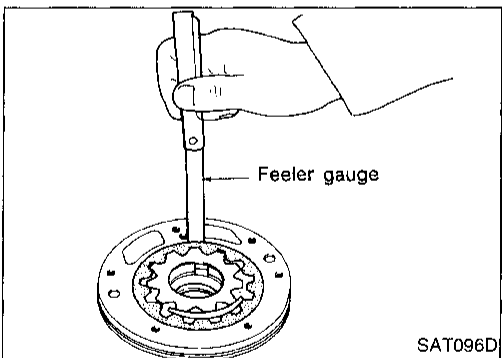
0.030 - 0.050 mm (0.0012 - 0.0020 in)

- If clearance is less than standard, select inner and outer gear as a set so that clearance is within specifications.

Inner and outer gear:

Refer to SDS, AT-243.

- If clearance is more than standard, replace whole oil pump assembly except oil pump cover.



- Measure clearance between outer gear and oil pump housing.

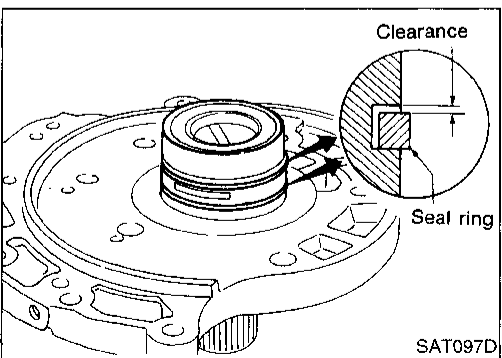
Standard clearance:

0.111 - 0.181 mm (0.0044 - 0.0071 in)

Allowable limit:

0.181 mm (0.0071 in)

- If not within allowable limit, replace whole oil pump assembly except oil pump cover.



Seal ring clearance

- Measure clearance between seal ring and ring groove.

Standard clearance:

0.1 - 0.25 mm (0.0039 - 0.0098 in)

Allowable limit:

0.25 mm (0.0098 in)

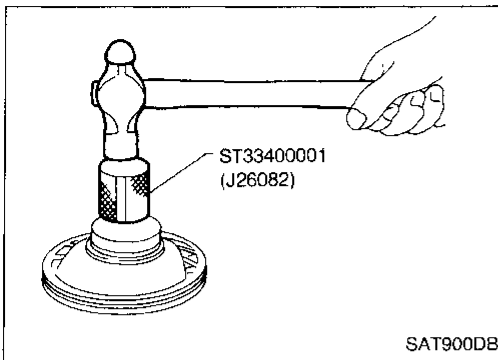
- If not within allowable limit, replace oil pump cover assembly.

REPAIR FOR COMPONENT PARTS

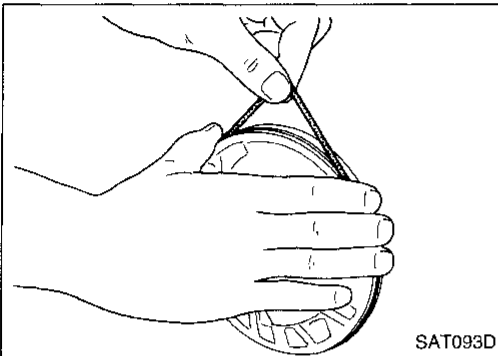
Oil Pump (Cont'd)

ASSEMBLY

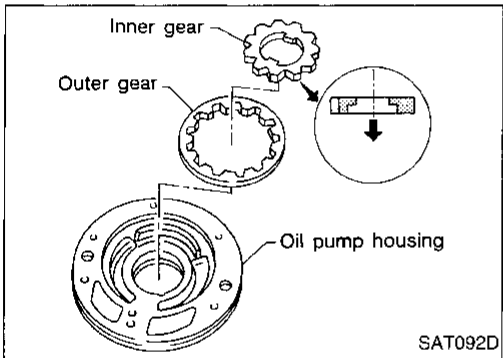
1. Install oil seal on oil pump housing.



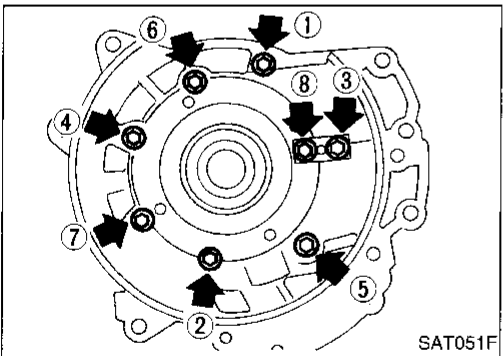
2. Install O-ring on oil pump housing.
 - **Apply ATF to O-ring.**



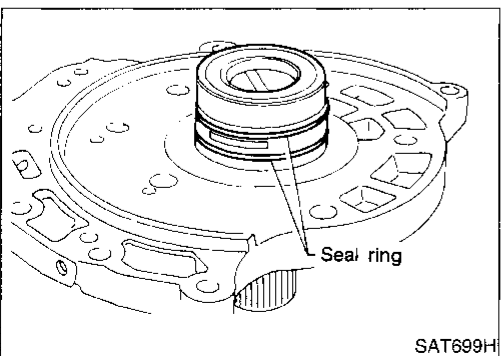
3. Install inner and outer gears on oil pump housing.
 - **Be careful of direction of inner gear.**



4. Install oil pump cover on oil pump housing.
 - a. Wrap masking tape around splines of oil pump cover assembly to protect seal. Position oil pump cover assembly on oil pump housing assembly, then remove masking tape.
 - b. Tighten bolts in a crisscross pattern.



5. Install new seal rings carefully after packing ring groove with petroleum jelly.
 - **Do not spread gap of seal ring excessively while installing. The ring may be deformed.**



GI

MA

EM

LC

EC

FE

CL

MT

AT

FA

RA

BR

ST

RS

BT

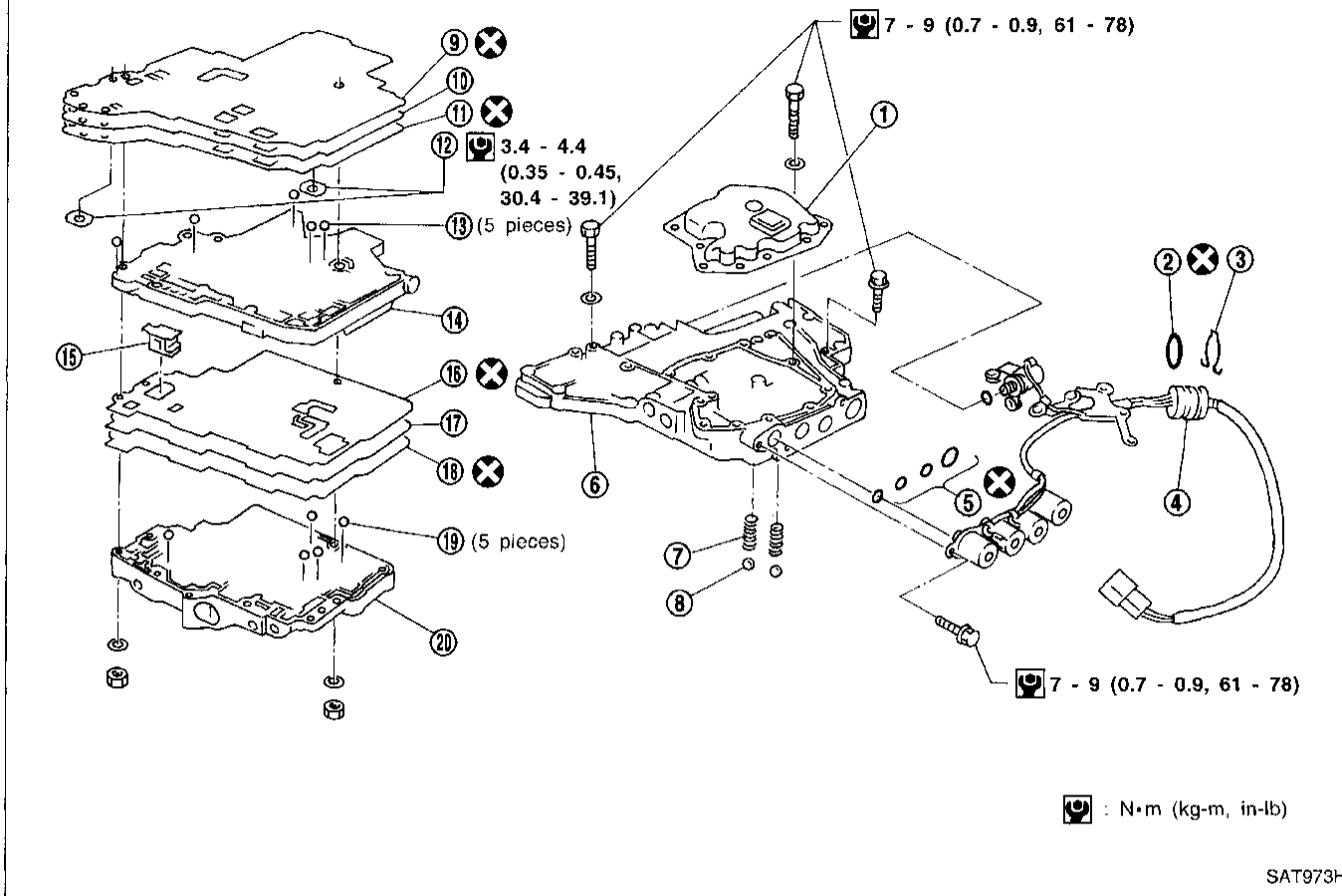
HA

EL

IDX

Control Valve Assembly

SEC. 317



- | | | |
|----------------------------------|---------------------------------|---------------------------------|
| ① Oil strainer | ⑧ Check ball | ⑮ Pilot filter |
| ② O-ring | ⑨ Lower separating gasket | ⑯ Upper inter separating gasket |
| ③ Clamp | ⑩ Separating plate | ⑰ Separating plate |
| ④ Terminal body | ⑪ Lower inter separating gasket | ⑱ Upper separating gasket |
| ⑤ O-rings | ⑫ Support plate | ⑲ Steel ball |
| ⑥ Control valve lower body | ⑬ Steel ball | ⑳ Control valve upper body |
| ⑦ Oil cooler relief valve spring | ⑭ Control valve inter body | |

DISASSEMBLY

1. Disassemble upper, inter and lower bodies.

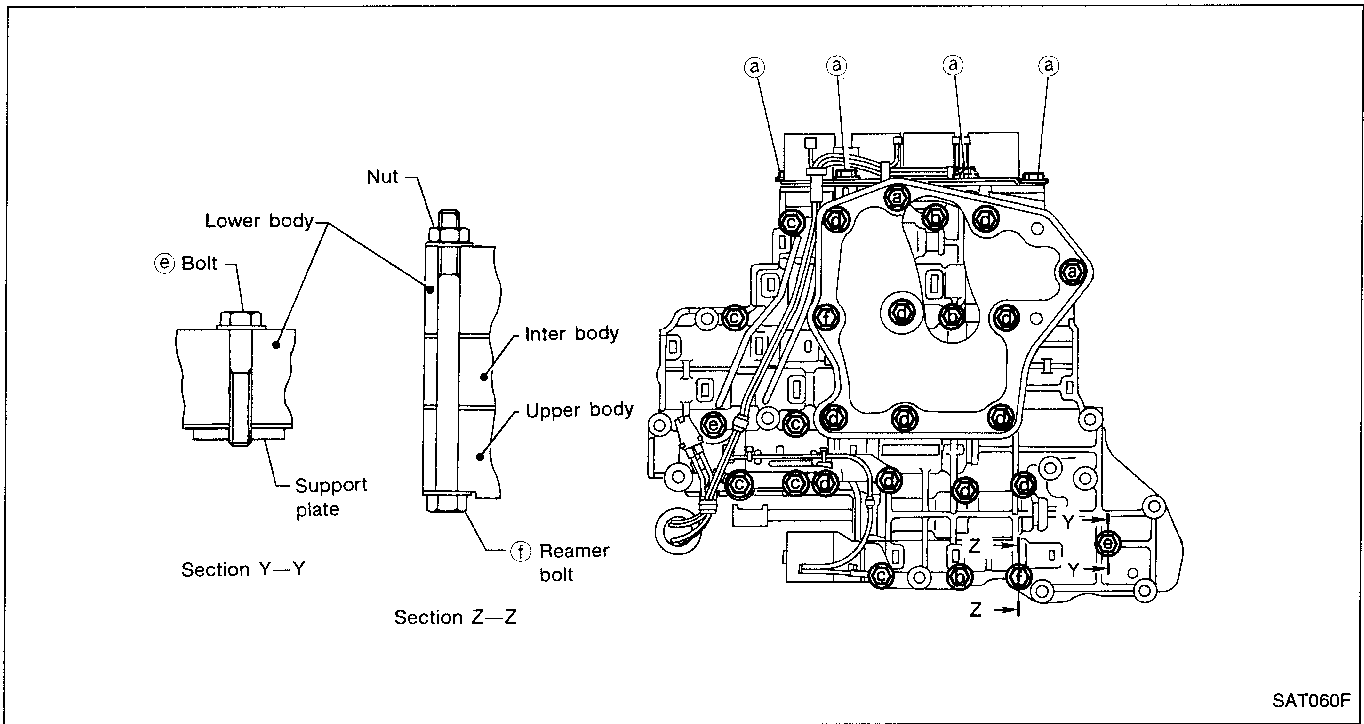
Bolt length, number and location:

Bolt symbol	a	b	c	d	e	f
Bolt length "l" mm (in)	13.5 (0.531)	58.0 (2.283)	40.0 (1.575)	66.0 (2.598)	33.0 (1.299)	78.0 (3.071)
Number of bolts	6	3	6	11	2	2

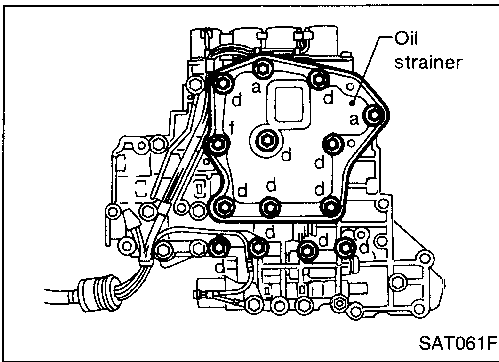
f: Reamer bolt and nut.

REPAIR FOR COMPONENT PARTS

Control Valve Assembly (Cont'd)



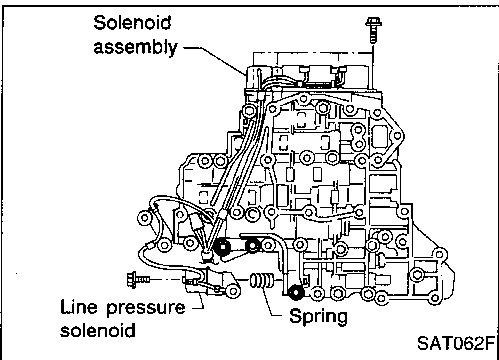
GI
MA
EM
LC
EC
FE
CL



a. Remove bolts (a), (d) and nut (f) and remove oil strainer from control valve assembly.

MT

AT



b. Remove solenoid valve assembly and line pressure solenoid valve from control valve assembly.

FA

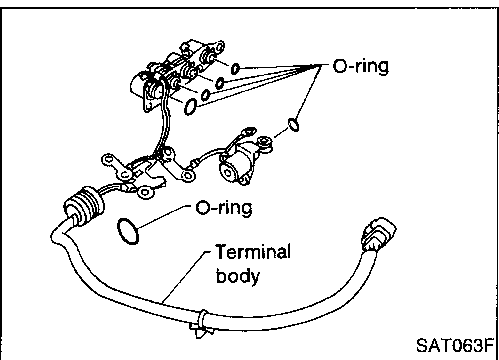
RA

BR

ST

RS

BT



c. Remove O-rings from solenoid valves and terminal body.

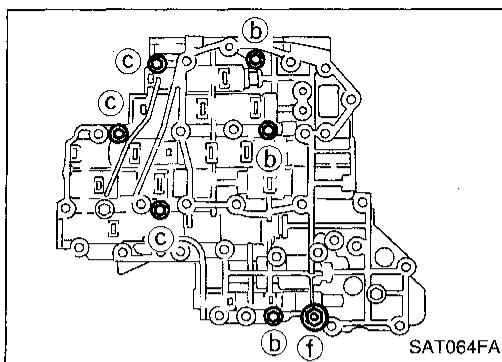
HA

EL

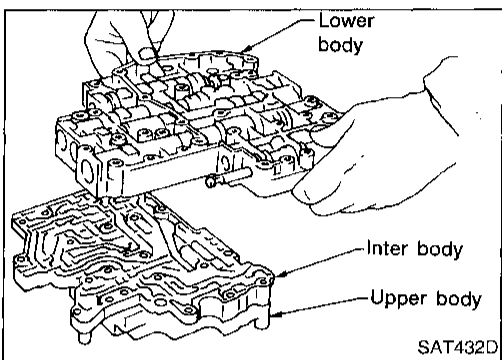
IDX

REPAIR FOR COMPONENT PARTS

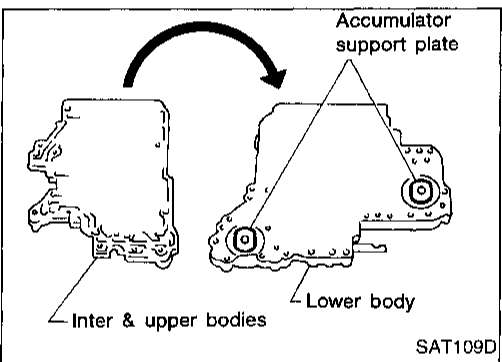
Control Valve Assembly (Cont'd)



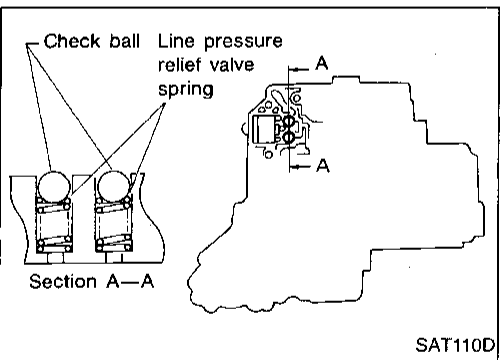
- d. Place upper body facedown, and remove bolts (b), (c) and nut (f).



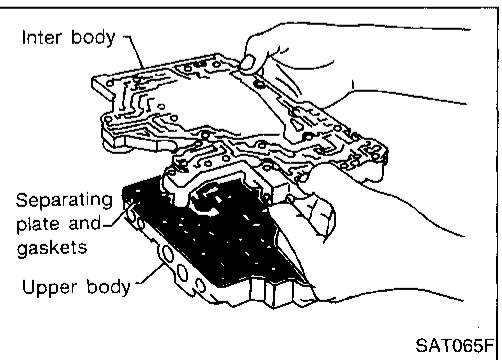
- e. Remove inter body from lower body.



- f. Turn over lower body, and remove accumulator support plate.



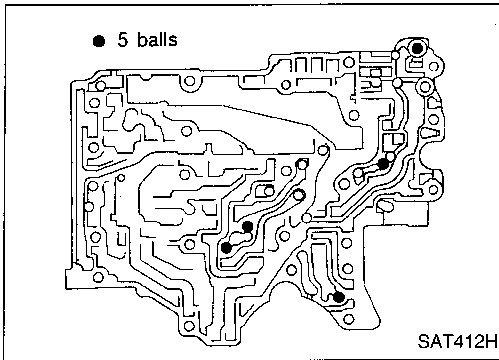
- g. Remove bolts (e), separating plate and separating gasket from lower body.
- h. Remove steel balls and relief valve springs from lower body.
- **Be careful not to lose steel balls and relief valve springs.**



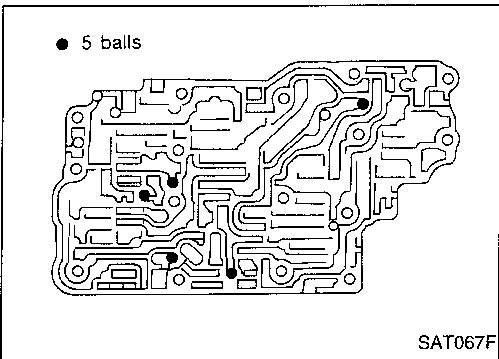
- i. Remove inter body from upper body.

REPAIR FOR COMPONENT PARTS

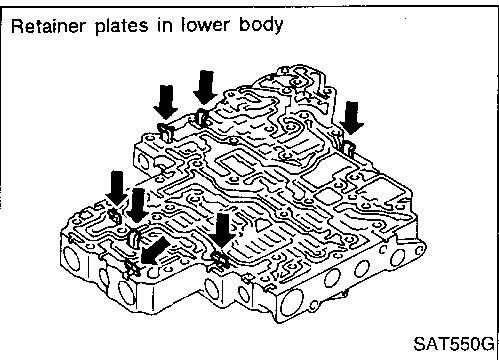
Control Valve Assembly (Cont'd)



- j. Check to see that steel balls are properly positioned in inter body and then remove them.
- **Be careful not to lose steel balls.**



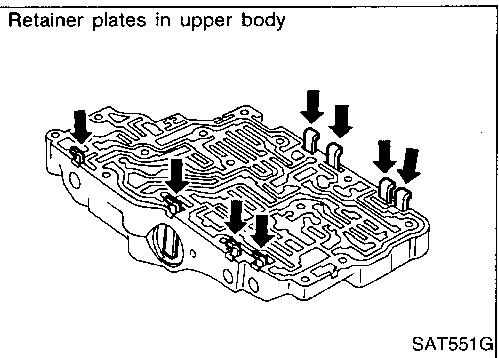
- k. Check to see that steel balls are properly positioned in upper body and then remove them.
- **Be careful not to lose steel balls.**



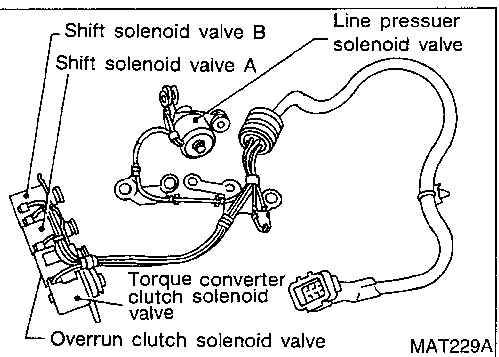
INSPECTION

Lower and upper bodies

- Check to see that retainer plates are properly positioned in lower body.



- Check to see that retainer plates are properly positioned in upper body.
- **Be careful not to lose these parts.**



Shift solenoid valves A and B, line pressure solenoid valve, torque converter clutch solenoid valve and overrun clutch solenoid valve.

- Measure resistance. Refer to "Component Inspection". AT-85

GI

MA

EM

LC

EC

FE

CL

MT

AT

FA

RA

BR

ST

RS

BT

HA

EL

IDX

REPAIR FOR COMPONENT PARTS

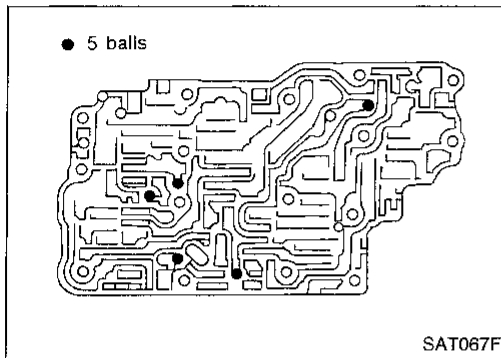
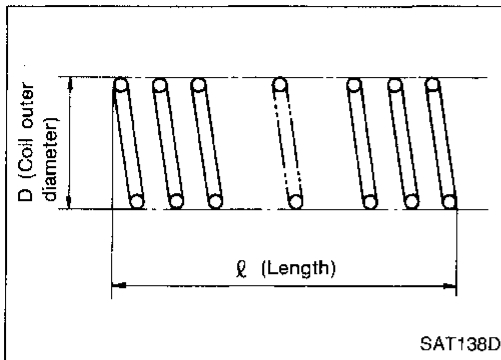
Control Valve Assembly (Cont'd)

Oil cooler relief valve spring.

- Check springs for damage or deformation.
- Measure free length and outer diameter

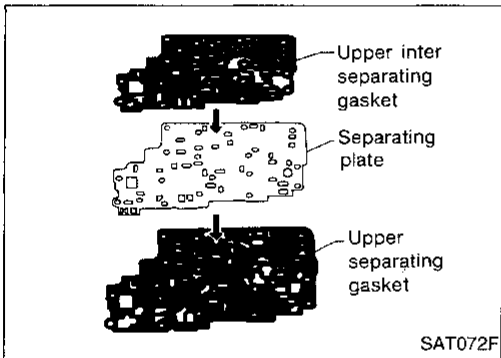
Inspection standard:

Refer to SDS, AT-240.

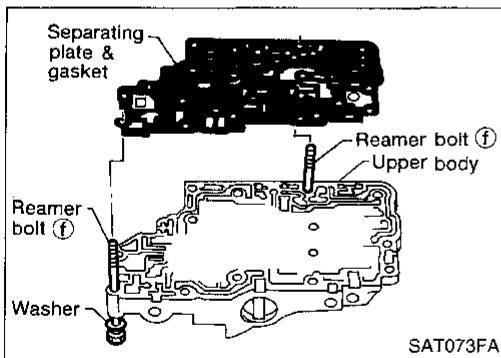


ASSEMBLY

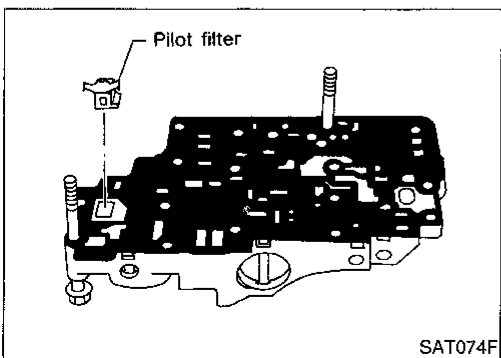
1. Install upper, inter and lower body.
 - a. Place oil circuit of upper body face up. Install steel balls in their proper positions.



- b. Install upper separating gasket, upper inter separating gasket and upper separating plate in order shown in illustration.



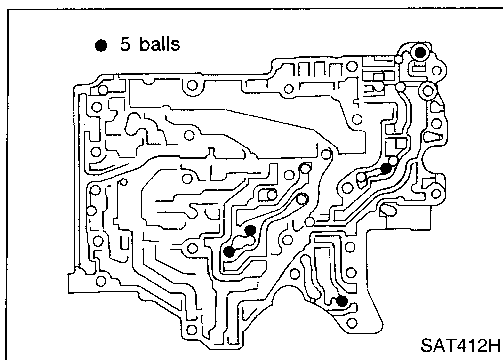
- c. Install reamer bolts (f) from bottom of upper body. Using reamer bolts as guides, install separating plate and gaskets as a set.



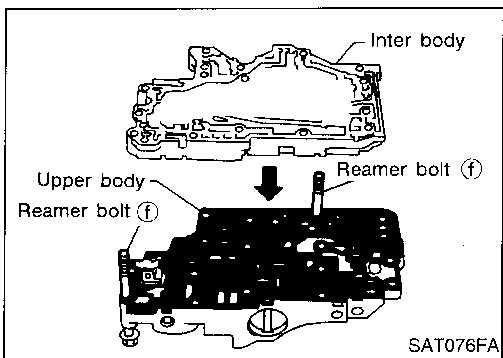
- d. Install pilot filter.

REPAIR FOR COMPONENT PARTS

Control Valve Assembly (Cont'd)

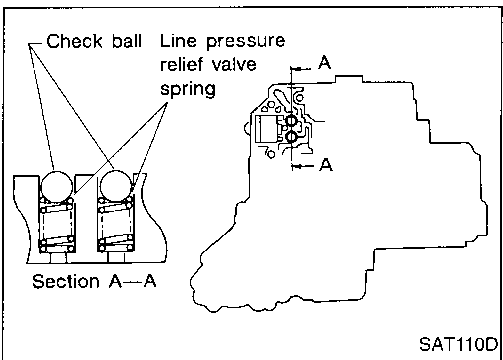


e. Place lower body as shown in illustration (side of inter body face up). Install steel balls in their proper positions.

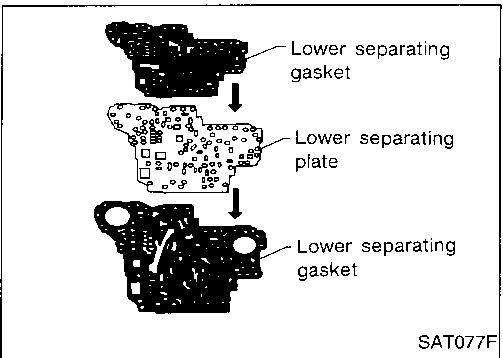


f. Install inter body on upper body using reamer bolts (f) as guides.

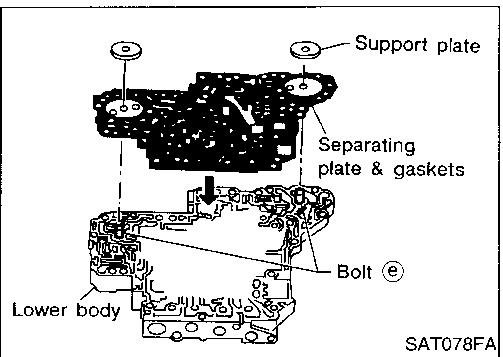
• Be careful not to dislocate or drop steel balls.



g. Install steel balls and relief valve springs in their proper positions in lower body.



h. Install lower separating gasket, inter separating gasket and lower separating plate in order shown in illustration.



i. Install bolts (e) from bottom of lower body. Using bolt (e) as guides, install separating plate and gaskets as a set.

j. Temporarily install support plates on lower body.

GI

MA

EM

LC

EC

FE

CL

MT

AT

FA

RA

BR

ST

RS

BT

HA

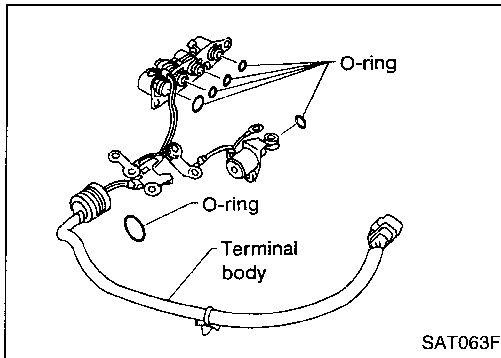
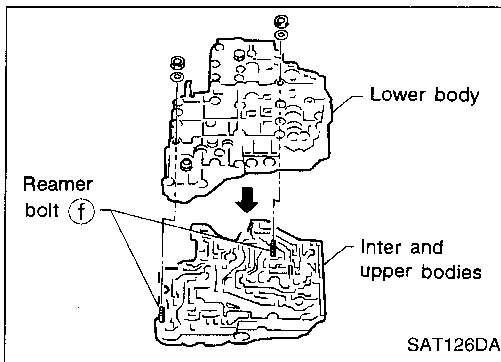
EL

IDX

REPAIR FOR COMPONENT PARTS

Control Valve Assembly (Cont'd)


- k. Install lower body on inter body using reamer bolts (f) as guides and tighten reamer bolts (f) slightly.

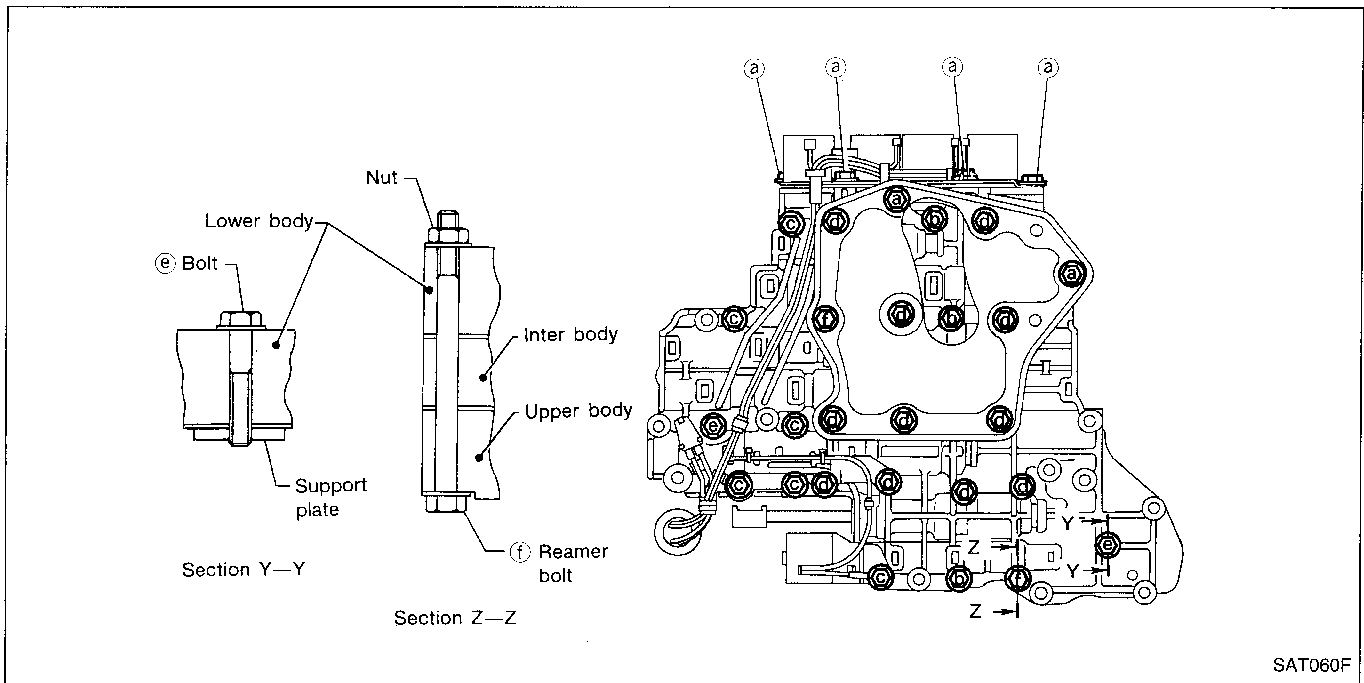


2. Install O-rings to solenoid valves and terminal body.
- Apply ATF to O-rings.

3. Install and tighten bolts.

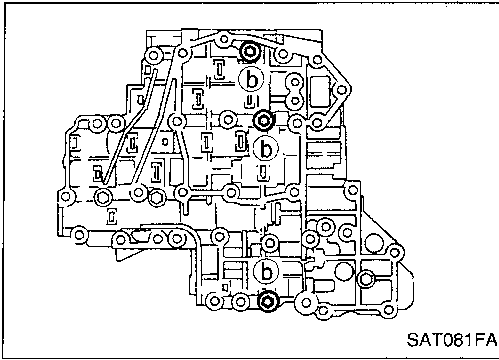
Bolt length, number and location:

Bolt symbol	(a)	(b)	(c)	(d)	(e)	(f)	
Bolt length "ℓ"							
 ℓ	mm (in)	13.5 (0.531)	58.0 (2.283)	40.0 (1.575)	66.0 (2.598)	33.0 (1.299)	78.0 (3.071)
Number of bolts	6	3	6	11	2	2	

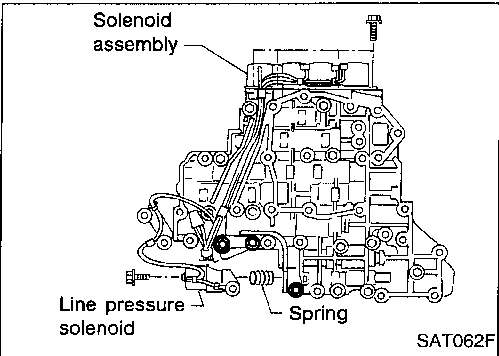


REPAIR FOR COMPONENT PARTS

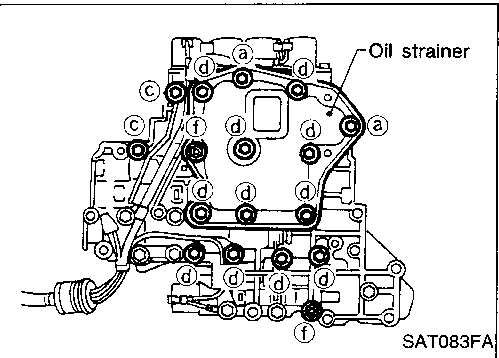
Control Valve Assembly (Cont'd)



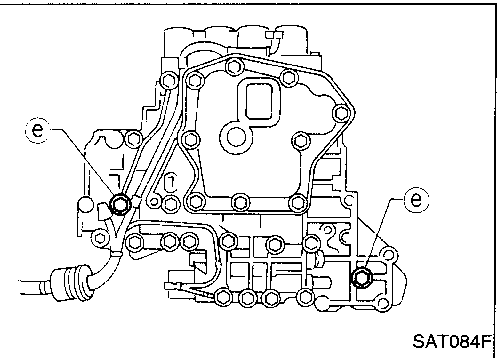
- a. Install and tighten bolts (b) to specified torque.
 ☐ : 7 - 9 N·m (0.7 - 0.9 kg-m, 61 - 78 in-lb)



- b. Install solenoid valve assembly and line pressure solenoid valve to lower body.



- c. Set oil strainer, then tighten bolts (a), (c), (d) and nuts (f) to specified torque.
 ☐ : 7 - 9 N·m (0.7 - 0.9 kg-m, 61 - 78 in-lb)



- d. Tighten bolts (e) to specified torque.
 ☐ : 3.4 - 4.4 N·m (0.35 - 0.45 kg-m, 30.4 - 39.1 in-lb)

GI

MA

EM

LC

EC

FE

CL

MT

AT

FA

RA

BR

ST

RS

BT

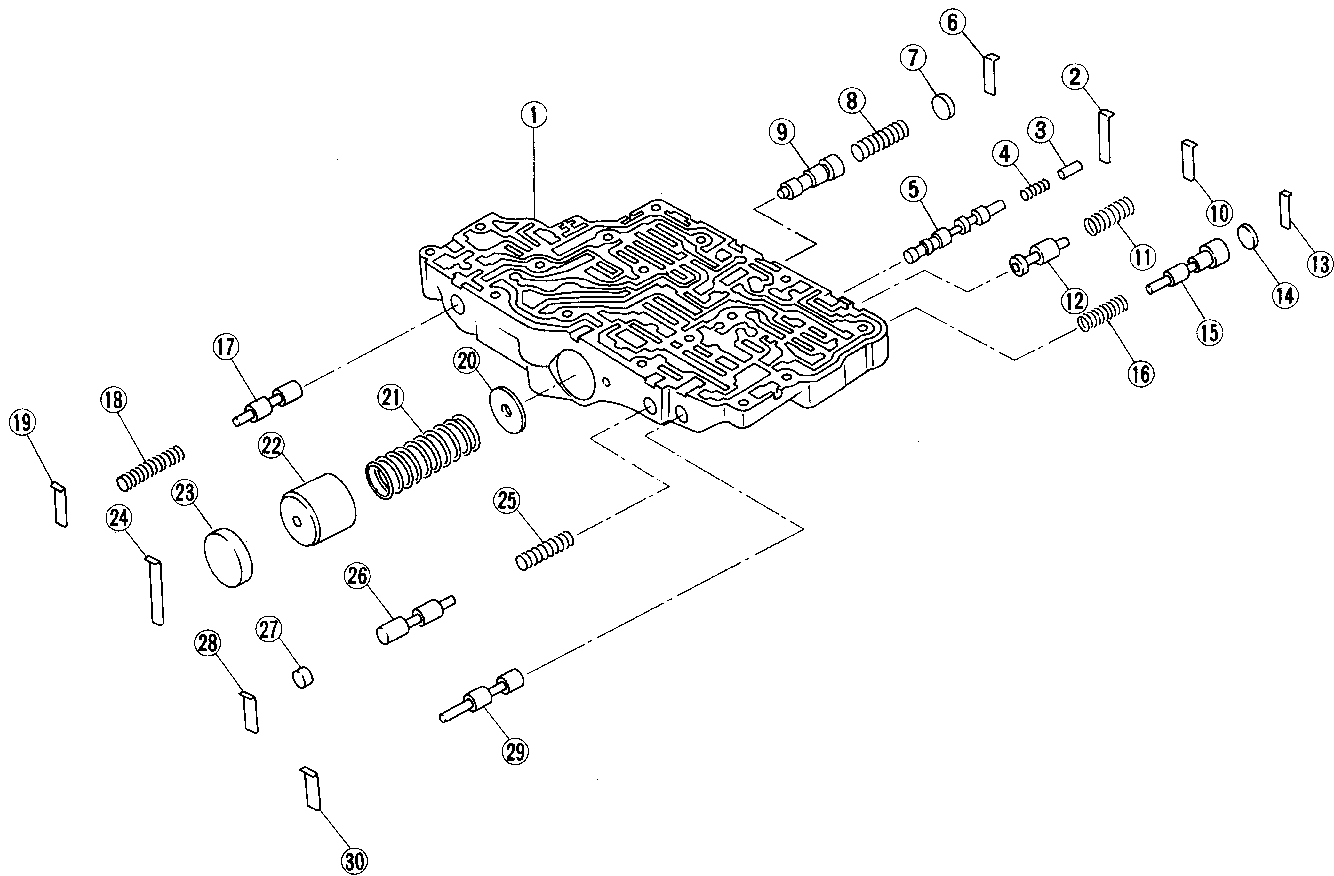
HA

EL

IDX

Control Valve Upper Body

SEC. 317



SAT859H

Apply ATF to all components before installation.

- | | | |
|---|----------------------------------|--------------------------|
| ① Upper body | ⑪ Return spring | ⑳ Return spring |
| ② Retainer plate | ⑫ Torque converter relief valve | ㉑ 1-2 accumulator piston |
| ③ Plug | ⑬ Retainer plate | ㉒ Plug |
| ④ Return spring | ⑭ Plug | ㉓ Retainer plate |
| ⑤ Torque converter clutch control valve | ⑮ Overrun clutch reducing valve | ㉔ Return spring |
| ⑥ Retainer plate | ⑯ Return spring | ㉕ 1st reducing valve |
| ⑦ Plug | ⑰ Pilot valve | ㉖ Plug |
| ⑧ Return spring | ⑱ Retainer plate | ㉗ Retainer plate |
| ⑨ 1-2 accumulator valve | ㉒ 1-2 accumulator retainer plate | ㉘ 2-3 timing valve |
| ⑩ Retainer plate | | ㉙ Retainer plate |

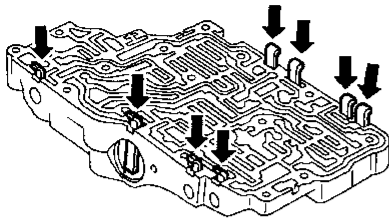
REPAIR FOR COMPONENT PARTS

Control Valve Upper Body (Cont'd)

DISASSEMBLY

1. Remove valves at retainer plates.
 - Do not use a magnetic "hand".

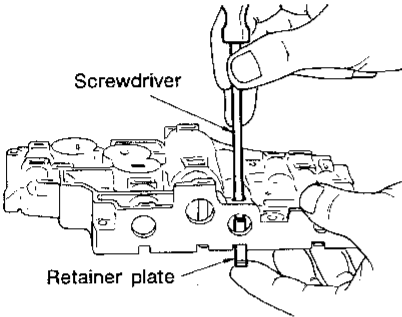
Retainer plates in upper body



SAT551G

- a. Use a screwdriver to remove retainer plates.

Screwdriver

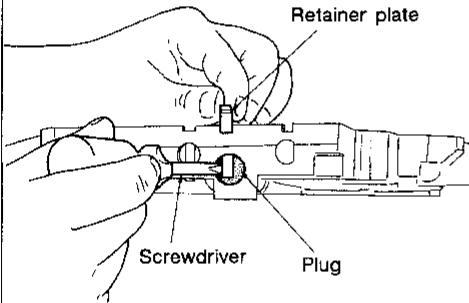


Retainer plate

SAT553G

- b. Remove retainer plates while holding spring, plugs or sleeves.
 - Remove plugs slowly to prevent internal parts from jumping out.

Retainer plate

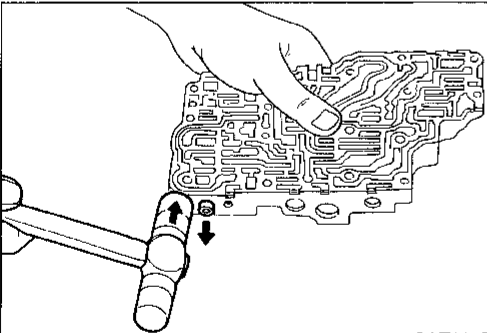


Screwdriver

Plug

SAT554G

- c. Place mating surface of valve body face down, and remove internal parts.
 - If a valve is hard to remove, place valve body face down and lightly tap it with a soft hammer.
 - Be careful not to drop or damage valves and sleeves.



SAT137D

INSPECTION

Valve spring

- Measure free length and outer diameter of each valve spring. Also check for damage or deformation.

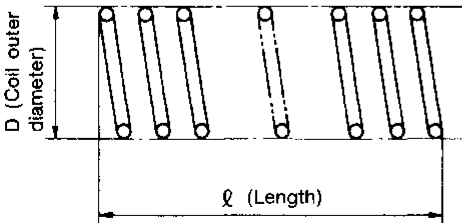
Inspection standard:

Refer to SDS, AT-240.

- Replace valve springs if deformed or fatigued.

Control valves

- Check sliding surfaces of valves, sleeves and plugs.



SAT138D

GI

MA

EM

LC

EC

FE

CL

MT

AT

FA

RA

BR

ST

RS

BT

HA

EL

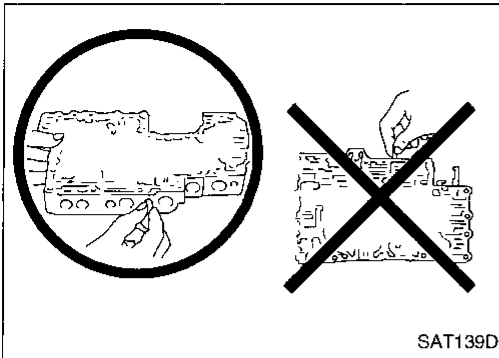
IDX

REPAIR FOR COMPONENT PARTS

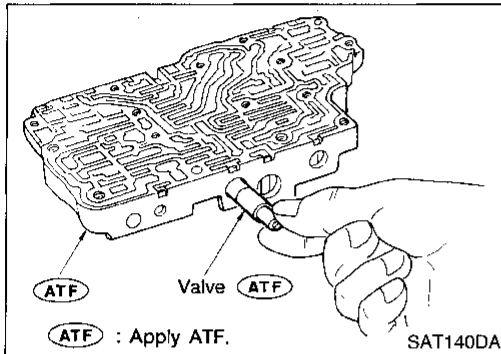
Control Valve Upper Body (Cont'd)

ASSEMBLY

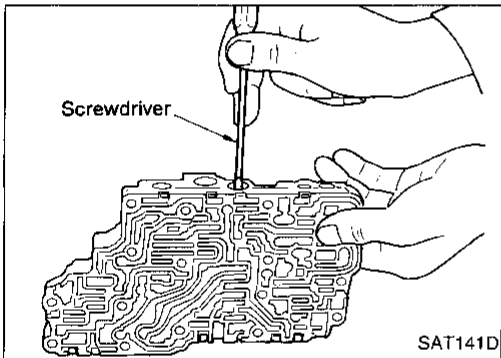
- Lay control valve body down when installing valves. Do not stand the control valve body upright.



1. Lubricate the control valve body and all valves with ATF. Install control valves by sliding them carefully into their bores.
- Be careful not to scratch or damage valve body.

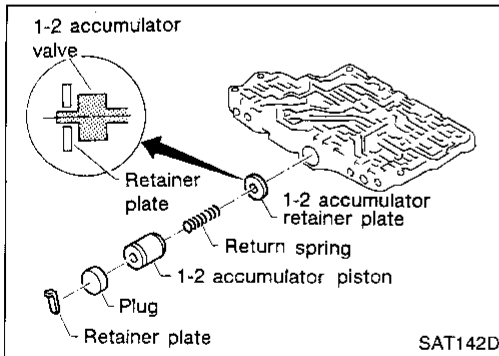


- Wrap a small screwdriver with vinyl tape and use it to insert the valves into their proper positions.

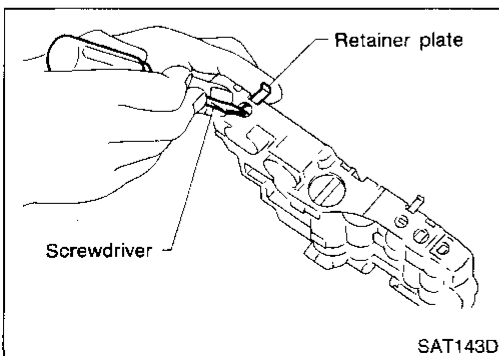


1-2 accumulator valve

- Install 1-2 accumulator valve. Align 1-2 accumulator retainer plate from opposite side of control valve body.
- Install return spring, 1-2 accumulator piston and plug.



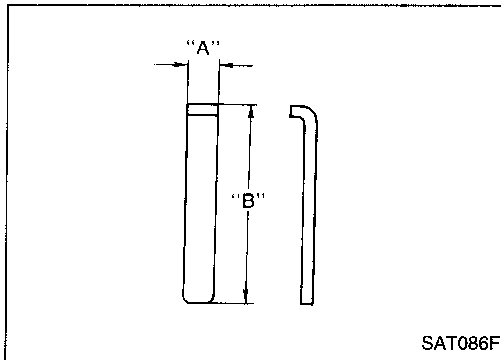
2. Install retainer plates.
- While pushing plug or return spring, install retainer plate.



REPAIR FOR COMPONENT PARTS

Control Valve Upper Body (Cont'd)

Retainer plate



SAT086F

Unit: mm (in)

Name of control valve	Length A	Length B
Pilot valve	6.0 (0.236)	21.5 (0.846)
1-2 accumulator valve		38.5 (1.516)
1-2 accumulator piston valve		21.5 (0.846)
1st reducing valve		24.0 (0.945)
Overrun clutch reducing valve		21.5 (0.846)
Torque converter relief valve		28.0 (1.102)
Torque converter clutch control valve		

- Install proper retainer plates.

GI

MA

EM

LC

EC

FE

CL

MT

AT

FA

RA

BR

ST

RS

BT

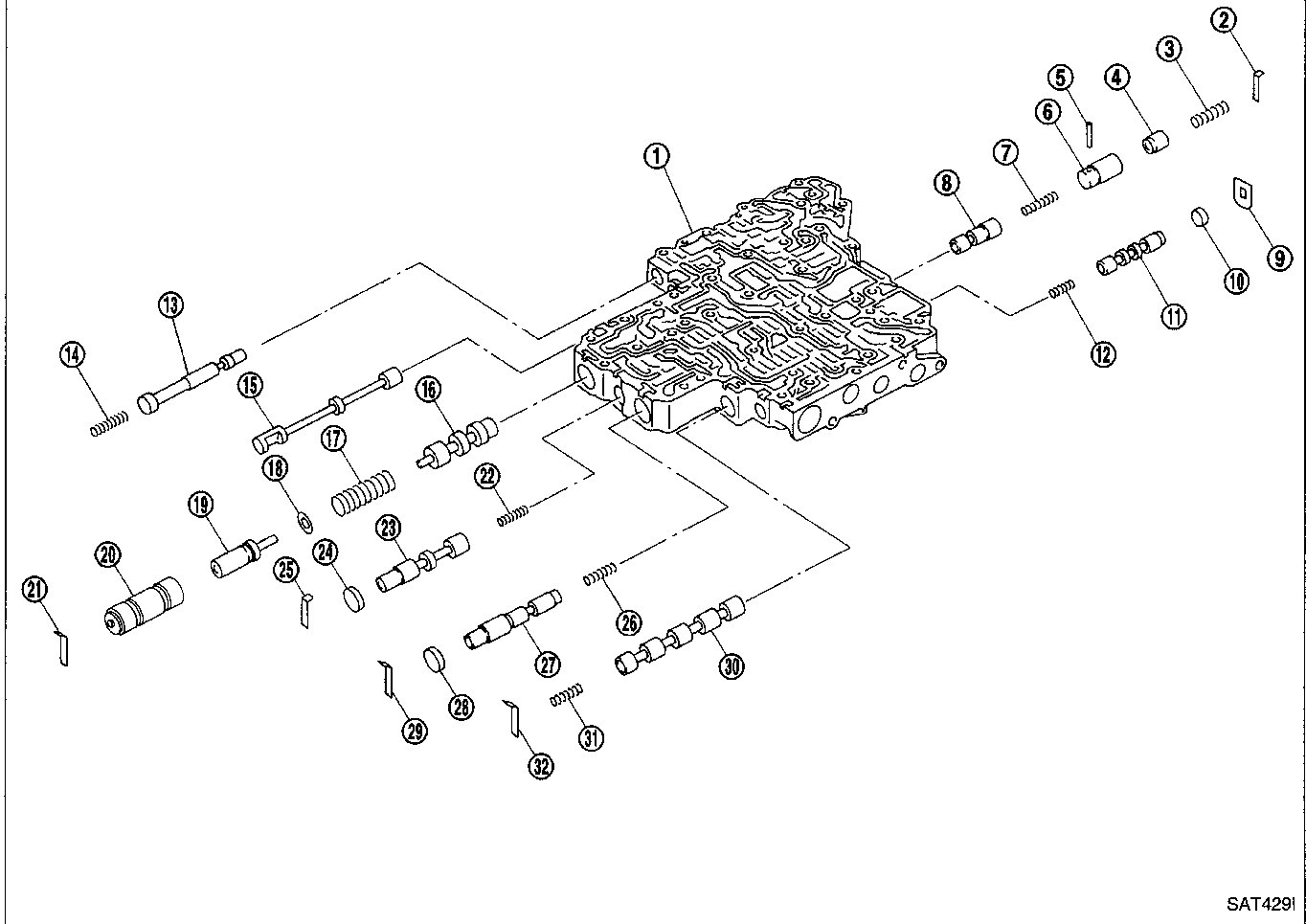
HA

EL

IDX

Control Valve Lower Body

SEC. 317



SAT429I

Apply ATF to all components before installation.

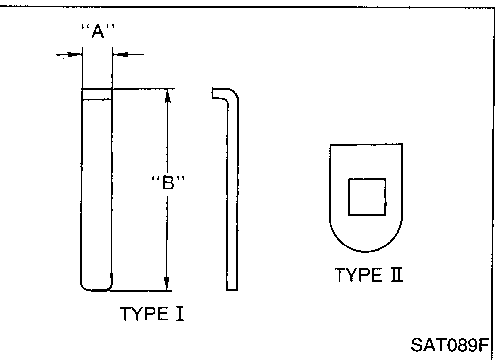
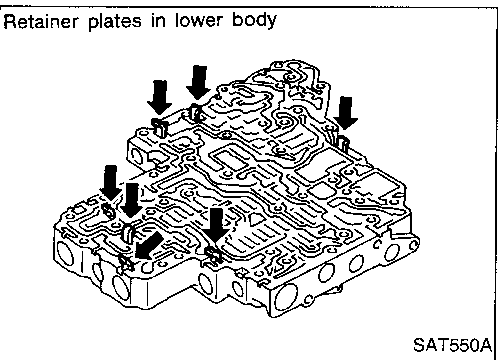
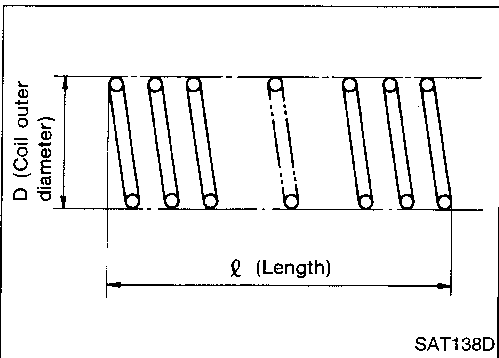
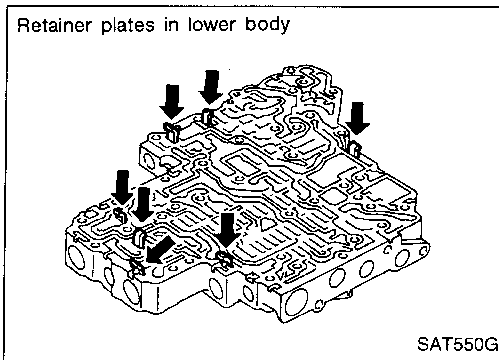
- | | | |
|---------------------------|----------------------------|--------------------------------|
| ① Lower body | ⑫ Return spring | ⑳ Overrun clutch control valve |
| ② Retainer plate | ⑬ Plug | ㉑ Plug |
| ③ Return spring | ⑭ Return spring | ㉒ Retainer plate |
| ④ Piston | ⑮ Manual valve | ㉓ Return spring |
| ⑤ Parallel pin | ⑯ Pressure regulator valve | ㉔ Accumulator control valve |
| ⑥ Sleeve | ⑰ Return spring | ㉕ Plug |
| ⑦ Return spring | ⑱ Spring seat | ㉖ Retainer plate |
| ⑧ Pressure modifier valve | ㉒ Plug | ㉗ Shift valve A |
| ⑨ Retainer plate | ㉓ Sleeve | ㉘ Retainer spring |
| ⑩ Plug | ㉔ Retainer plate | ㉙ Retainer plate |
| ⑪ Shift valve B | ㉕ Return spring | |

REPAIR FOR COMPONENT PARTS

Control Valve Lower Body (Cont'd)

DISASSEMBLY

- Remove valves at retainer plate.
For removal procedures, refer to "DISASSEMBLY" of Control Valve Upper Body. AT-177



INSPECTION

Valve springs

- Check each valve spring for damage or deformation. Also measure free length and outer diameter.

Inspection standard:

Refer to SDS, AT-240.

- Replace valve springs if deformed or fatigued.

Control valves

- Check sliding surfaces of control valves, sleeves and plugs for damage.

ASSEMBLY

- Install control valves.
For installation procedures, refer to "ASSEMBLY" of Control Valve Upper Body. AT-178

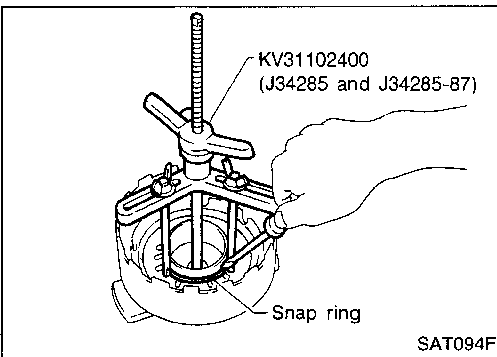
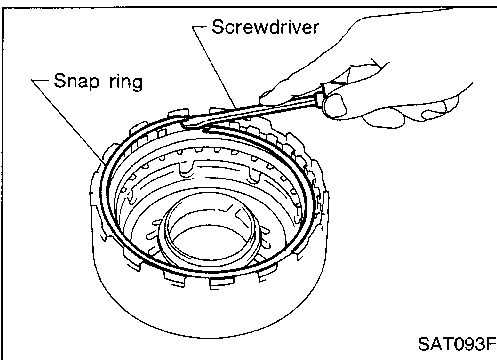
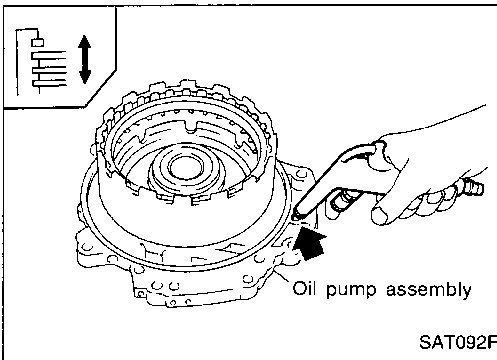
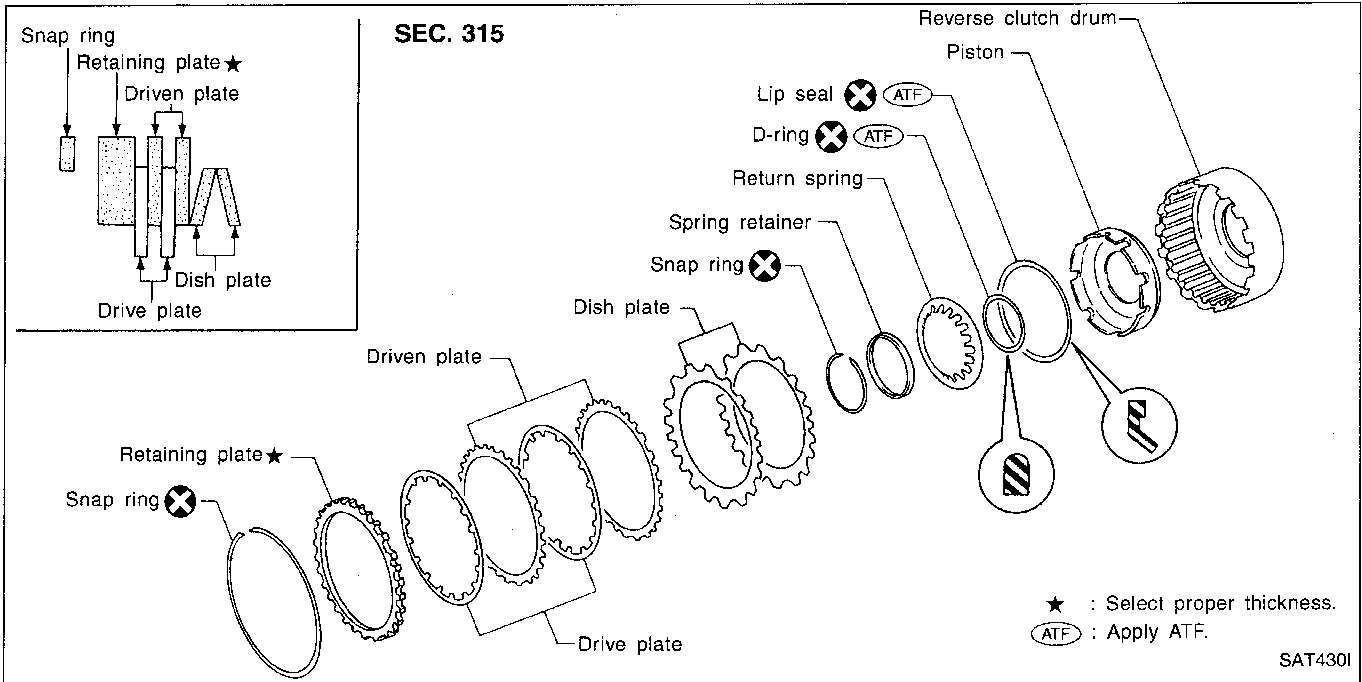
Retainer plate

Unit: mm (in)

Name of control valve and plug	Length A	Length B	Type
Plug	6.0 (0.236)	19.5 (0.768)	I
Pressure regulator valve		28.0 (1.102)	
Accumulator control valve			
Shift valve A			
Overrun clutch control valve			
Pressure modifier valve	—	—	II
Shift valve B			

- Install proper retainer plates.

Reverse Clutch

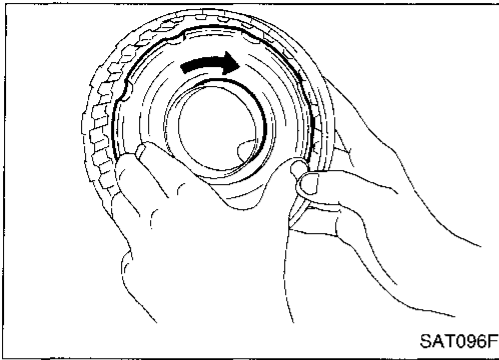


DISASSEMBLY

1. Check operation of reverse clutch
 - a. Install seal ring onto drum support of oil pump cover and install reverse clutch assembly. Apply compressed air to oil hole.
 - b. Check to see that retaining plate moves to snap ring.
 - c. If retaining plate does not contact snap ring:
 - D-ring might be damaged.
 - Oil seal might be damaged.
 - Fluid might be leaking past piston check ball.
2. Remove snap ring.
3. Remove drive plates, driven plates, retaining plate, and dish plates.
4. Set Tool on spring retainer and remove snap ring from reverse clutch drum while compressing return springs.
 - **Set Tool directly over springs.**
 - **Do not expand snap ring excessively.**
5. Remove spring retainer and return springs.

REPAIR FOR COMPONENT PARTS

Reverse Clutch (Cont'd)

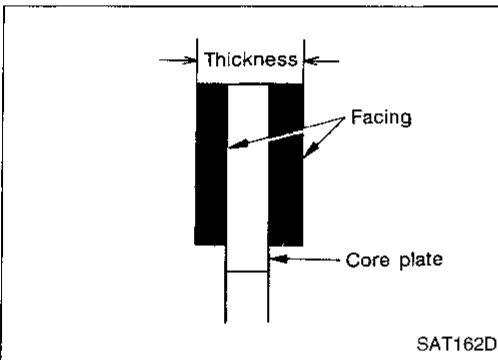


6. Remove piston from reverse clutch drum by turning it.
7. Remove D-ring and oil seal from piston.

INSPECTION

Reverse clutch snap ring, spring retainer and return springs

- Check for deformation, fatigue or damage. If necessary, replace.



Reverse clutch drive plates

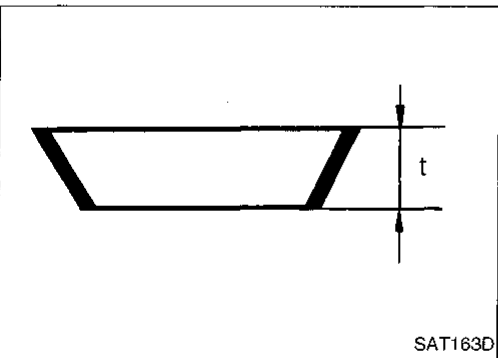
- Check facing for burns, cracks or damage.
- Measure thickness of facing.

Thickness of drive plate:

Standard value: 1.6 mm (0.063 in)

Wear limit: 1.4 mm (0.055 in)

- If not within wear limit, replace.



Reverse clutch dish plates

- Check for deformation or damage.
- Measure thickness of dish plate.

Thickness of dish plate: 3.08 mm (0.1213 in)

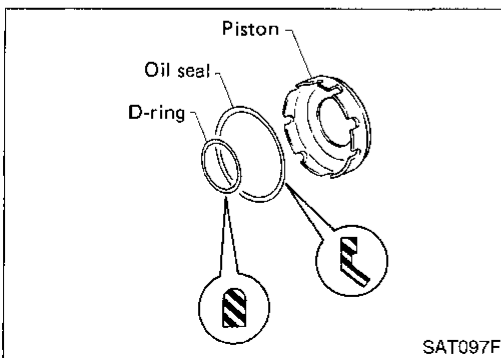
- If deformed or fatigued, replace.

Reverse clutch piston

- Make sure that check balls are not fixed.
- Apply compressed air to check ball oil hole opposite the return spring. Make sure there is no air leakage.
- Apply compressed air to oil hole on return spring side to make sure that air leaks past ball.

ASSEMBLY

1. Install D-ring and oil seal on piston.
- Take care with the direction of lip seal.
- Apply ATF to both parts.



GI

MA

EM

LC

EC

FE

CL

MT

AT

FA

RA

BR

ST

RS

BT

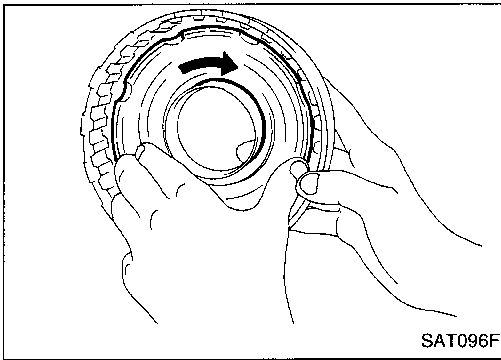
HA

EL

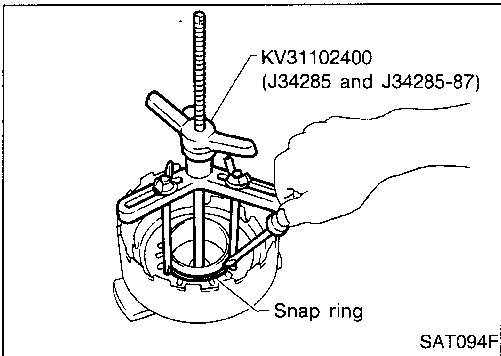
IDX

REPAIR FOR COMPONENT PARTS

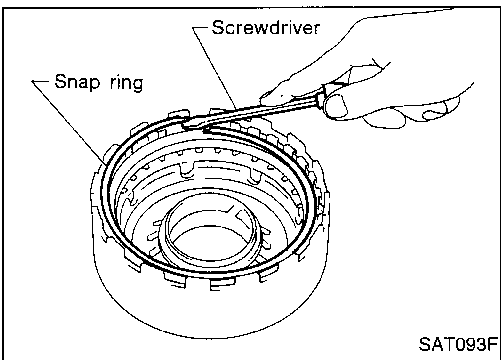
Reverse Clutch (Cont'd)



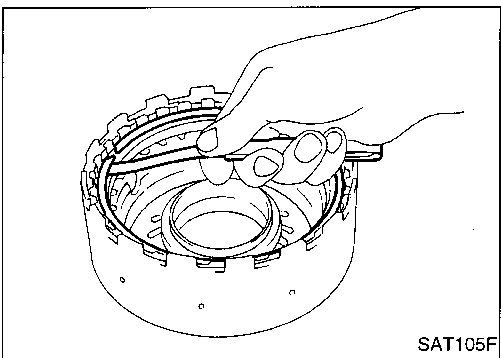
2. Install piston assembly by turning it slowly.
 - Apply ATF to inner surface of drum.



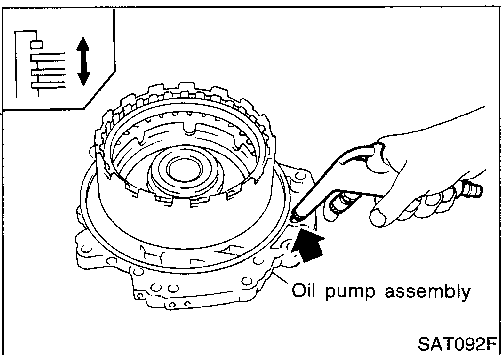
3. Install return springs and spring retainer on piston.
4. Set Tool on spring retainer and install snap ring while compressing return springs.
 - Set Tool directly over return springs.



5. Install drive plates, driven plates, retaining plate and dish plates.
 - Take care with order of plates.
6. Install snap ring.

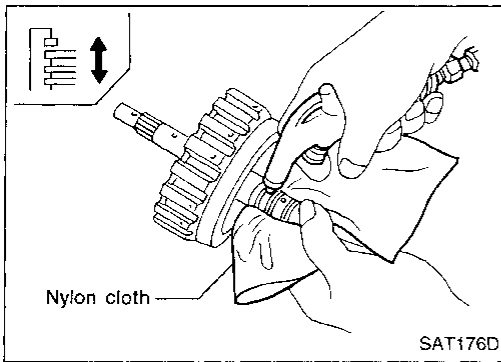
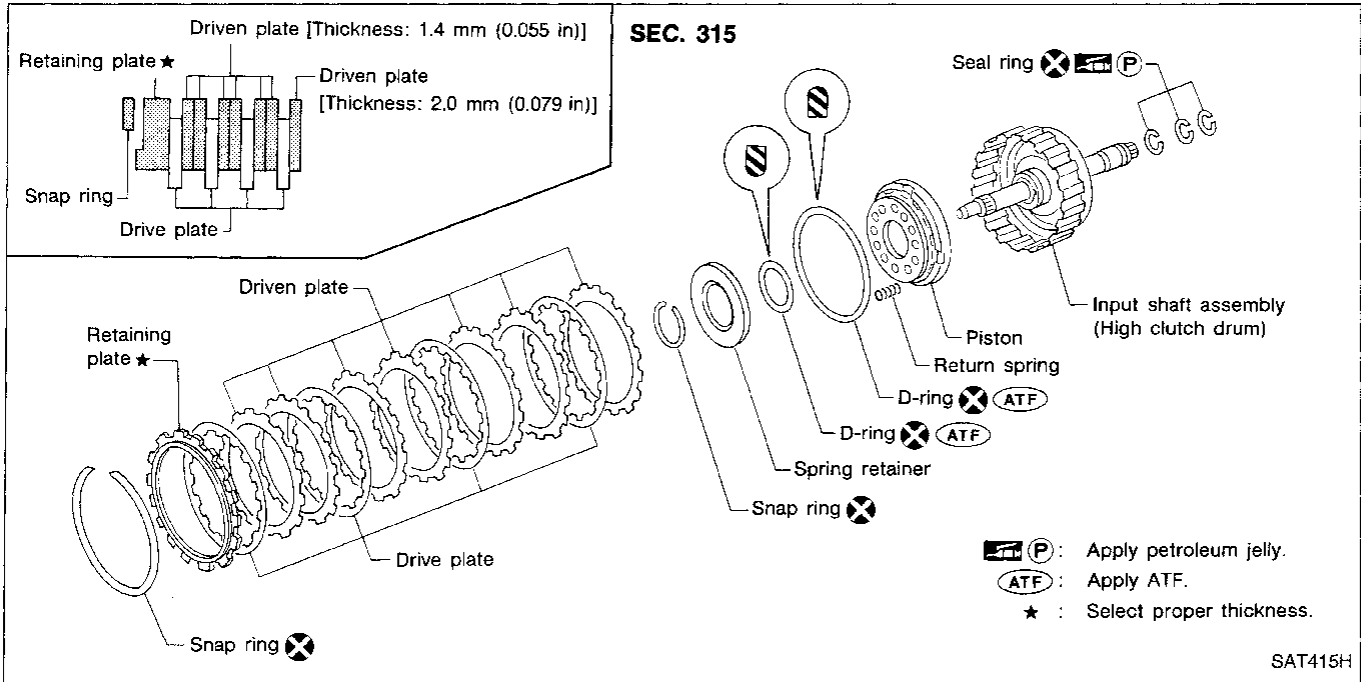


7. Measure clearance between retaining plate and snap ring. If not within allowable limit, select proper retaining plate.
 - Specified clearance:**
 - Standard 0.5 - 0.8 mm (0.020 - 0.031 in)**
 - Allowable limit 1.2 mm (0.047 in)**
 - Retaining plate:**
 - Refer to SDS, AT-241.**



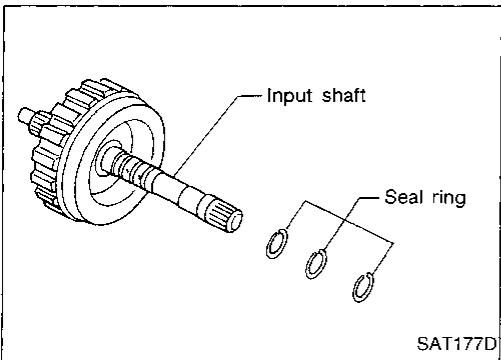
8. Check operation of reverse clutch.
 - Refer to "DISASSEMBLY", "Reverse Clutch", AT-182.

High Clutch

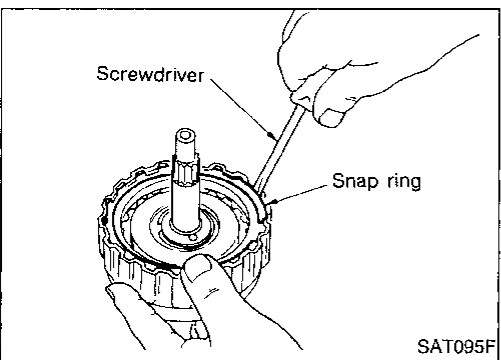


DISASSEMBLY

1. Check operation of high clutch.
 - a. Apply compressed air to oil hole of input shaft with nylon cloth.
 - Stop up hole on opposite side of input shaft with nylon cloth.
 - b. Check to see that retaining plate moves to snap ring.
 - c. If retaining plate does not contact snap ring:
 - D-ring might be damaged.
 - Oil seal might be damaged.
 - Fluid might be leaking past piston check ball.



2. Remove seal rings from input shaft.
 - Always replace when removed.

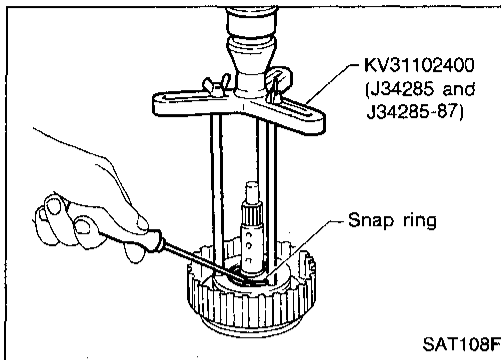


3. Remove snap ring.
4. Remove drive plates, driven plates and retaining plate.

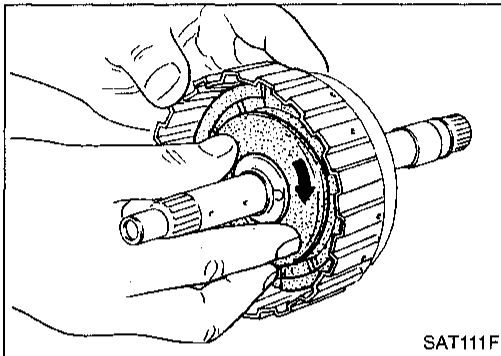
GI
MA
EM
LC
EC
FE
CL
MT
AT
FA
RA
BR
ST
RS
BT
HA
EL
IDX

REPAIR FOR COMPONENT PARTS

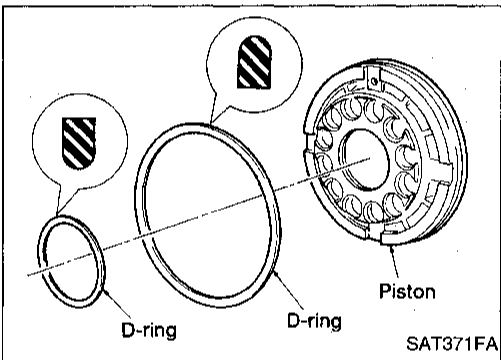
High Clutch (Cont'd)



5. Set Tool on spring retainer and remove snap ring from high clutch drum while compressing return springs.
 - **Set Tool directly over springs.**
 - **Do not expand snap ring excessively.**
6. Remove spring retainer and return springs.



7. Remove piston from high clutch drum by turning it.



8. Remove D-rings from piston.

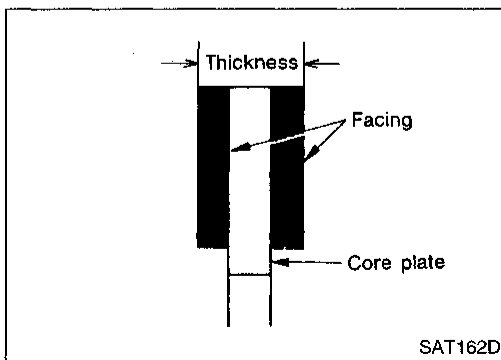
INSPECTION

High clutch snap ring, spring retainer and return springs.

- Check for deformation, fatigue or damage. If necessary, replace.
- **When replacing spring retainer and return springs, replace them as a set.**

High clutch drive plates

- Check facing for burns, cracks or damage.
- Measure thickness of facing.
 - Thickness of drive plate:**
 - Standard value 1.6 mm (0.063 in)**
 - Wear limit 1.4 mm (0.055 in)**
- If not within wear limit, replace.

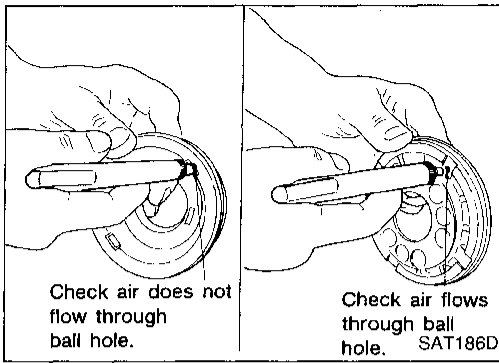


REPAIR FOR COMPONENT PARTS

High Clutch (Cont'd)

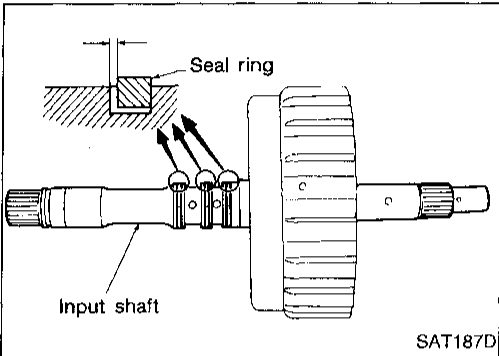
High clutch piston

- Make sure that check balls are not fixed.
- Apply compressed air to check ball oil hole opposite the return spring. Make sure there is no air leakage.
- Apply compressed air to oil hole on return spring side to make sure that air leaks past ball.



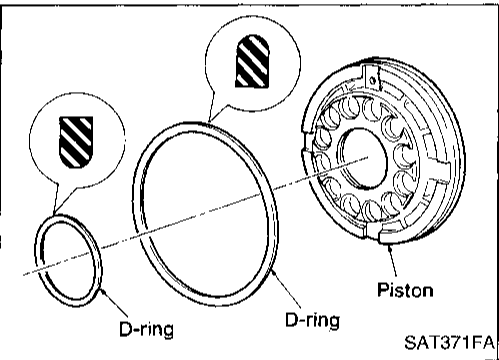
Seal ring clearance

- Install new seal rings onto input shaft.
- Measure clearance between seal ring and ring groove.
Standard clearance:
 0.08 - 0.23 mm (0.0031 - 0.0091 in)
Allowable limit: 0.23 mm (0.0091 in)
- If not within allowable limit, replace input shaft assembly.

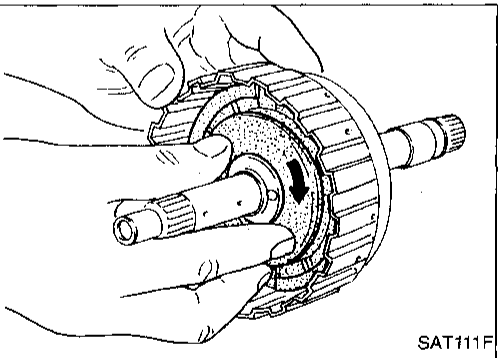


ASSEMBLY

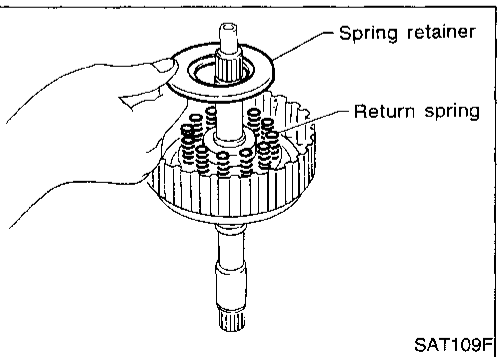
1. Install D-rings on piston.
 - Take care with the direction of oil seal.
 - Apply ATF to both parts.



2. Install piston assembly by turning it slowly.
 - Apply ATF to inner surface of drum.



3. Install return springs and spring retainer on piston.



GI

MA

EM

LC

EC

FE

CL

MT

AT

FA

RA

BR

ST

RS

BT

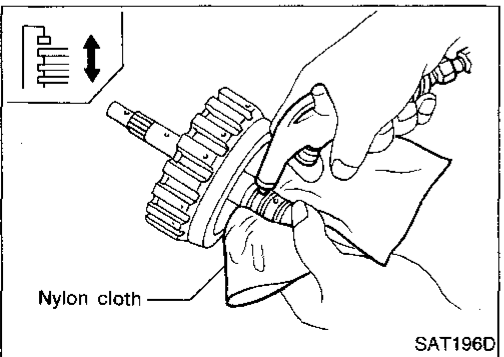
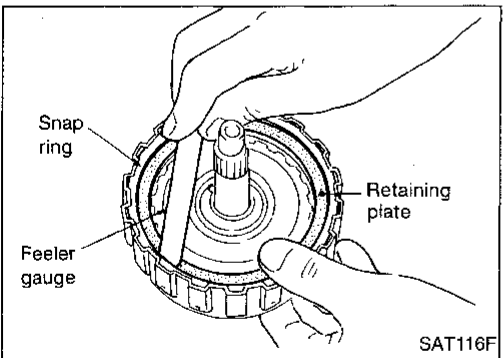
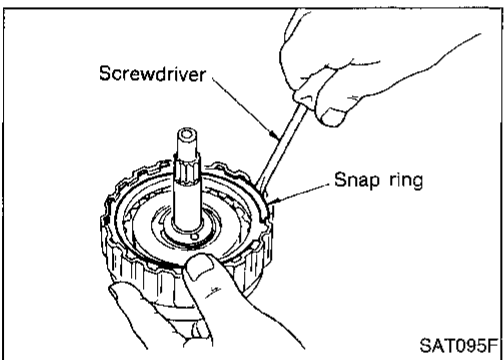
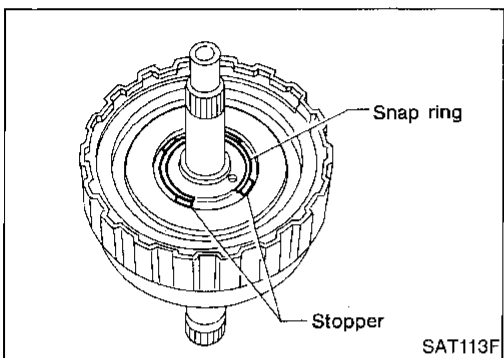
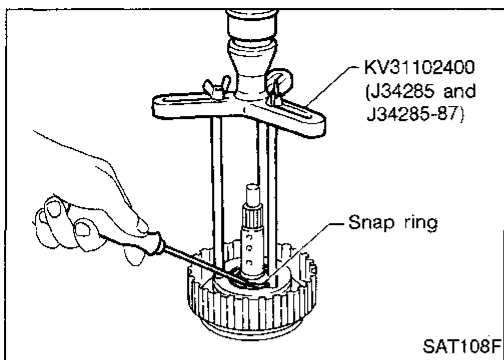
HA

EL

IDX

REPAIR FOR COMPONENT PARTS

High Clutch (Cont'd)



4. Set Tool on spring retainer and install snap ring while compressing return springs.

- **Set Tool directly over return springs.**

- **Do not align snap ring gap with spring retainer stopper.**

5. Install drive plates, driven plates and retaining plate.

- **Take care with the order and direction of plates.**

6. Install snap ring.

7. Measure clearance between retaining plate and snap ring. If not within allowable limit, select proper retaining plate.

Specified clearance:

Standard 1.8 - 2.2 mm (0.071 - 0.087 in)

Allowable limit 3.0 mm (0.118 in)

Retaining plate:

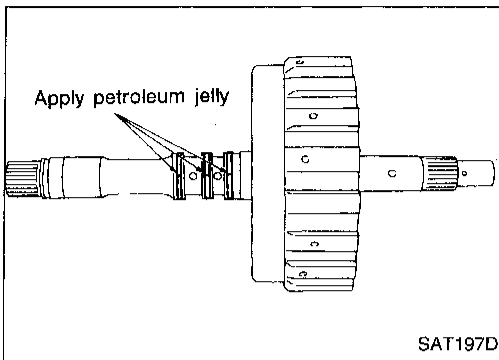
Refer to SDS, AT-241.

8. Check operation of high clutch.

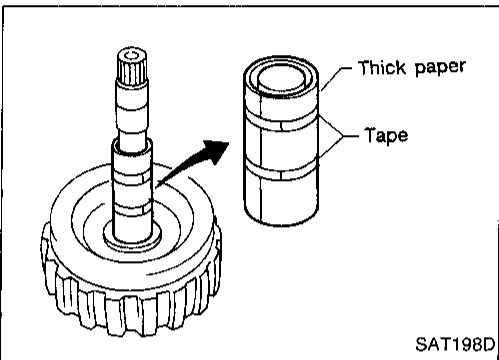
Refer to "DISASSEMBLY", "High Clutch", AT-185.

REPAIR FOR COMPONENT PARTS

High Clutch (Cont'd)

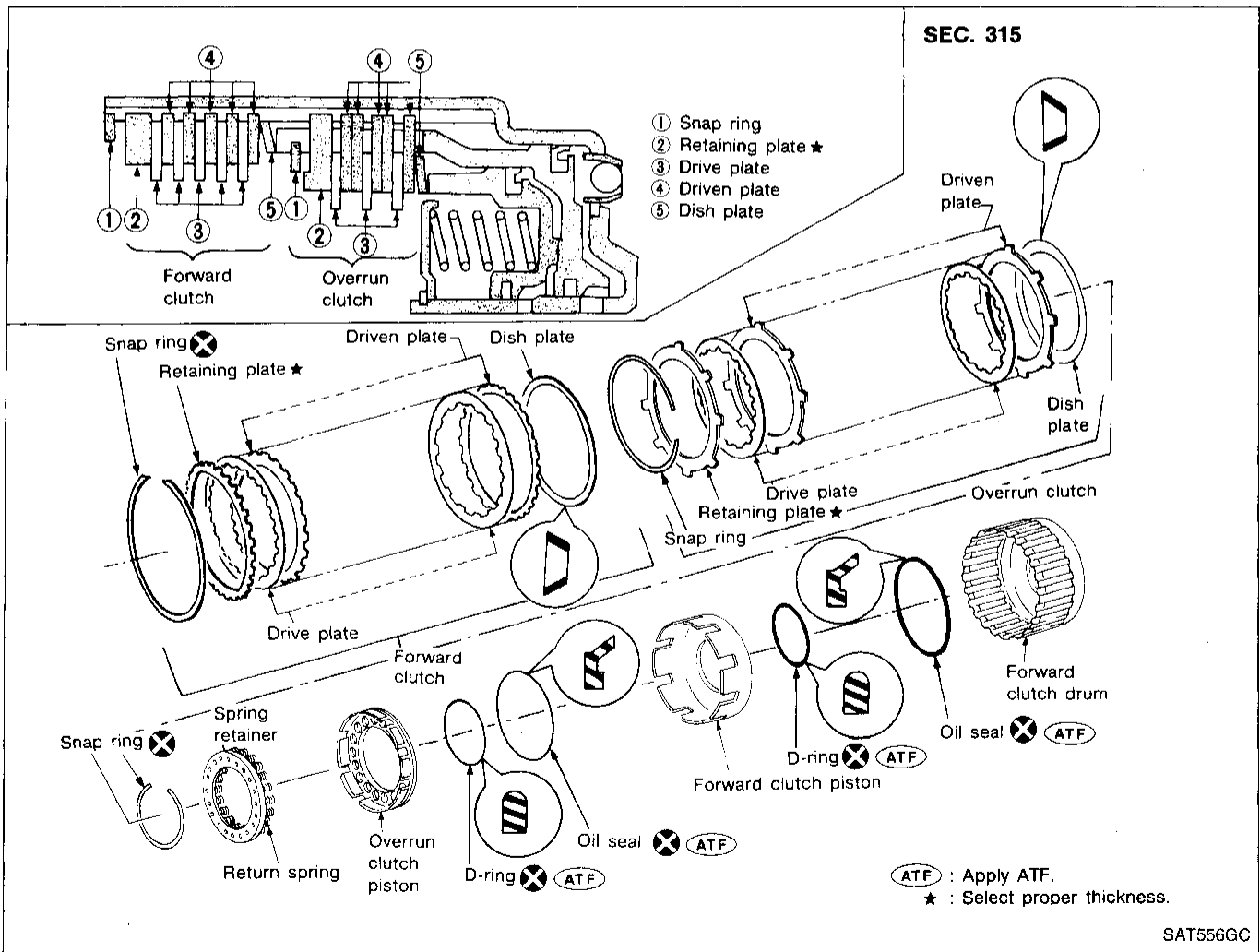


9. Install seal rings to input shaft.
 - Apply petroleum jelly to seal rings.
 - Always replace when removed.



- Roll paper around seal rings to prevent seal rings from spreading.

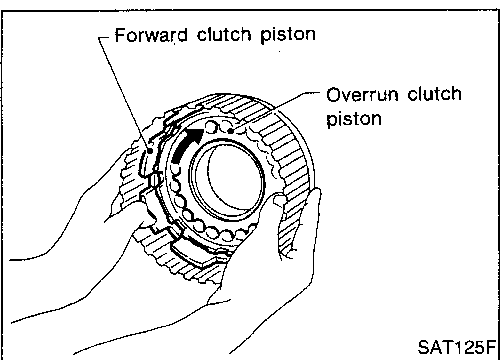
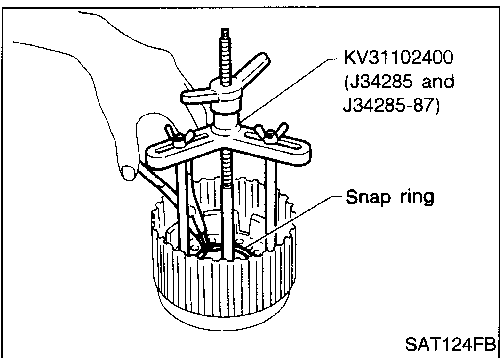
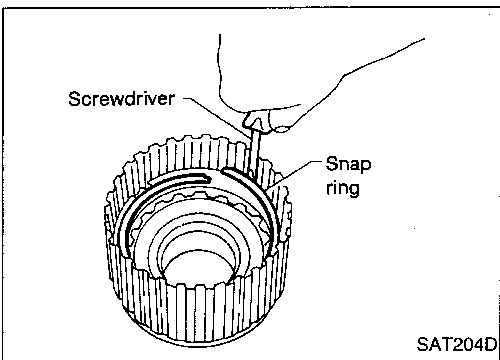
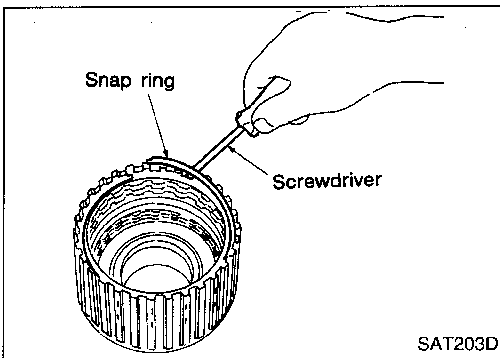
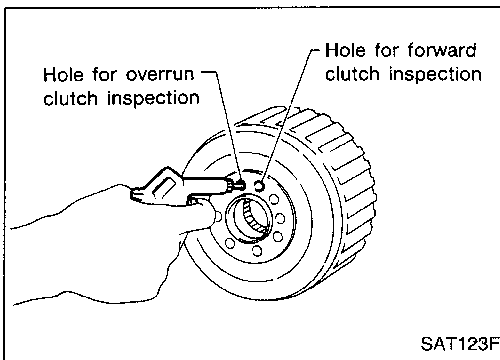
Forward Clutch and Overrun Clutch



GI
MA
EM
LC
EC
FE
CL
MT
AT
FA
RA
BR
ST
RS
BT
HA
EL
IDX

REPAIR FOR COMPONENT PARTS

Forward Clutch and Overrun Clutch (Cont'd) DISASSEMBLY



1. Check operation of forward clutch and overrun clutch.
 - a. Install bearing retainer on forward clutch drum.
 - b. Apply compressed air to oil hole of forward clutch drum.
 - c. Check to see that retaining plate moves to snap ring.
 - d. If retaining plate does not contact snap ring:
 - D-ring might be damaged.
 - Oil seal might be damaged.
 - Fluid might be leaking past piston check ball.

2. Remove snap ring for forward clutch.
3. Remove drive plates, driven plates, retaining plate and dish plate for forward clutch.

4. Remove snap ring for overrun clutch.
5. Remove drive plates, driven plates, retaining plate and dish plate for overrun clutch.

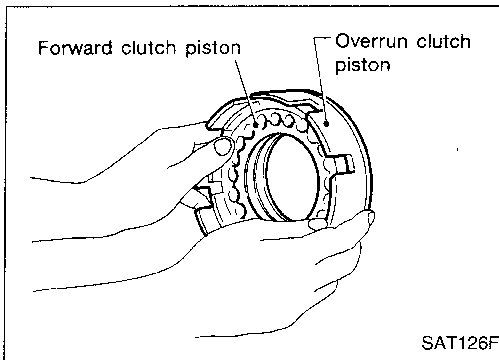
6. Set Tool on spring retainer and remove snap ring from forward clutch drum while compressing return springs.

- **Set Tool directly over return springs.**
 - **Do not expand snap ring excessively.**
7. Remove spring retainer and return springs.
 - **Do not remove return springs from spring retainer.**

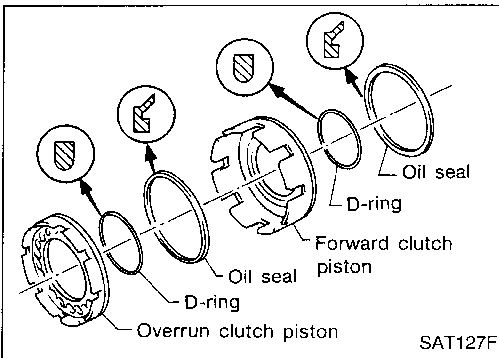
8. Remove forward clutch piston with overrun clutch piston from forward clutch drum by turning it.

REPAIR FOR COMPONENT PARTS

Forward Clutch and Overrun Clutch (Cont'd)



- Remove overrun clutch piston from forward clutch piston by turning it.

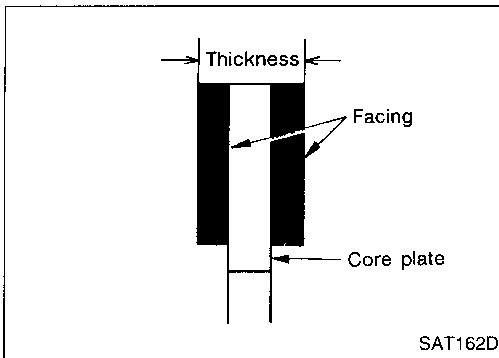


- Remove D-rings and oil seals from forward clutch piston and overrun clutch piston.

INSPECTION

Snap rings, spring retainer and return springs

- Check for deformation, fatigue or damage.
- Replace if necessary.
- When replacing spring retainer and return springs, replace them as a set.**



Forward clutch and overrun clutch drive plates

- Check facing for burns, cracks or damage.
- Measure thickness of facing.

Thickness of drive plate:

Forward clutch

Standard value: 1.6 mm (0.063 in)

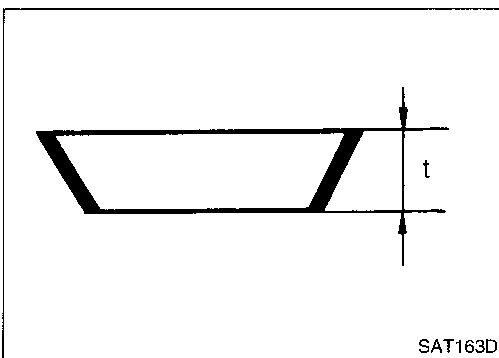
Wear limit: 1.4 mm (0.055 in)

Overrun clutch

Standard value: 1.6 mm (0.063 in)

Wear limit: 1.4 mm (0.055 in)

- If not within wear limit, replace.



Forward clutch and overrun clutch dish plates

- Check for deformation or damage.
- Measure thickness of dish plate.

Thickness of dish plate:

Forward clutch 2.7 mm (0.106 in)

Overrun clutch 2.7 mm (0.106 in)

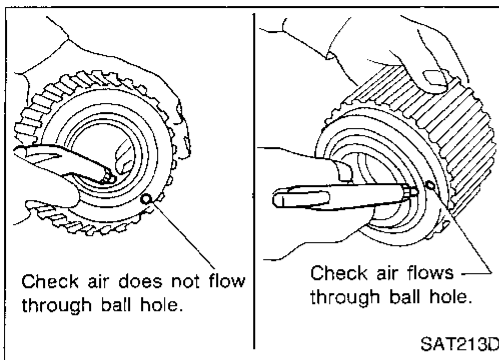
- If deformed or fatigued, replace.

REPAIR FOR COMPONENT PARTS

Forward Clutch and Overrun Clutch (Cont'd)

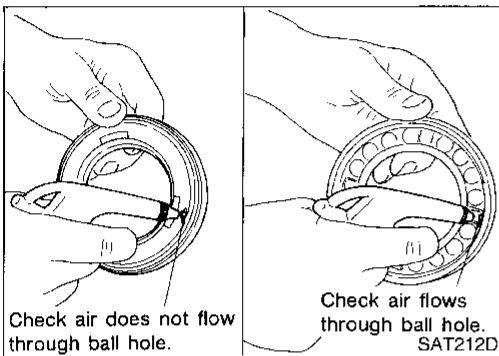
Forward clutch drum

- Make sure that check balls are not fixed.
- Apply compressed air to check ball oil hole from outside of forward clutch drum. Make sure air leaks past ball.
- Apply compressed air to oil hole from inside of forward clutch drum. Make sure there is no air leakage.



Overrun clutch piston

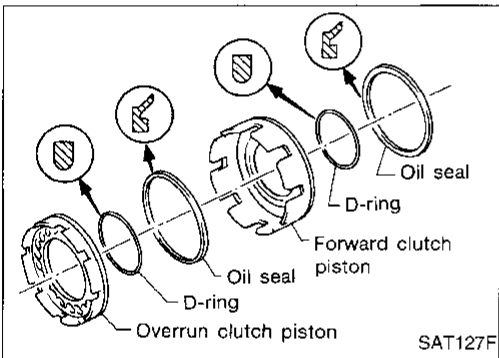
- Make sure that check balls are not fixed.
- Apply compressed air to check ball oil hole opposite the return spring. Make sure there is no air leakage.
- Apply compressed air to oil hole on return spring side. Make sure that air leaks past ball.



ASSEMBLY

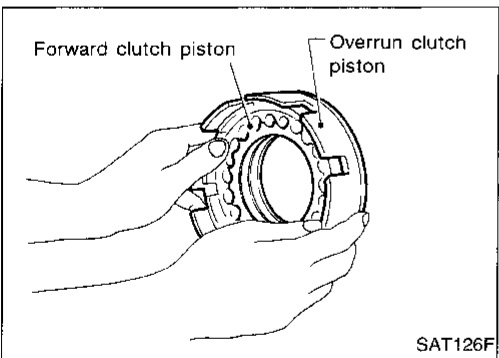
1. Install D-rings and oil seals on forward clutch piston and overrun clutch piston.

- Take care with direction of lip seal.
- Apply ATF to both parts.



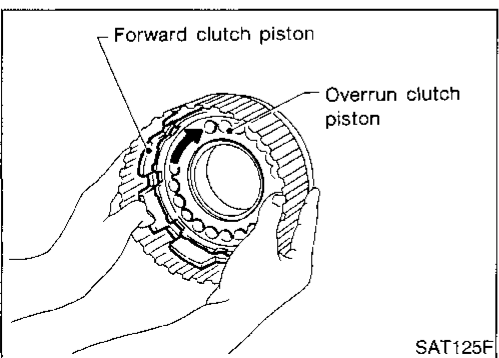
2. Install overrun clutch piston assembly on forward clutch piston by turning it slowly.

- Apply ATF to inner surface of forward clutch piston.



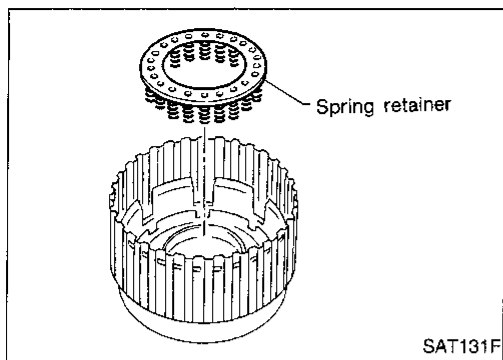
3. Install forward clutch piston assembly on forward clutch drum by turning it slowly.

- Apply ATF to inner surface of drum.

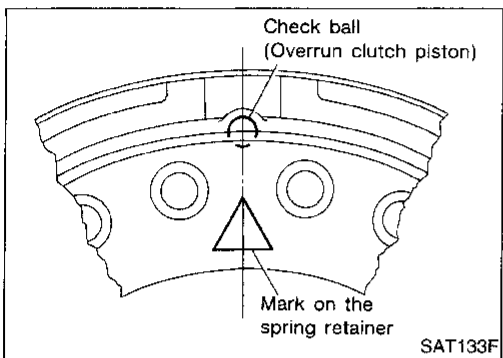


REPAIR FOR COMPONENT PARTS

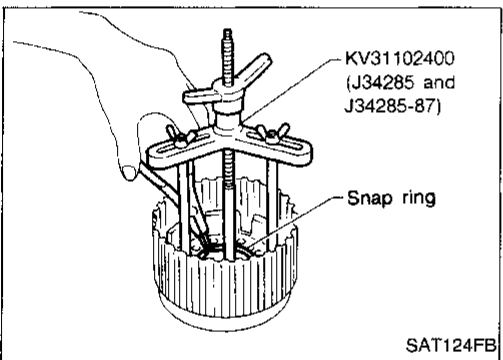
Forward Clutch and Overrun Clutch (Cont'd)



4. Install return spring on overrun clutch piston.

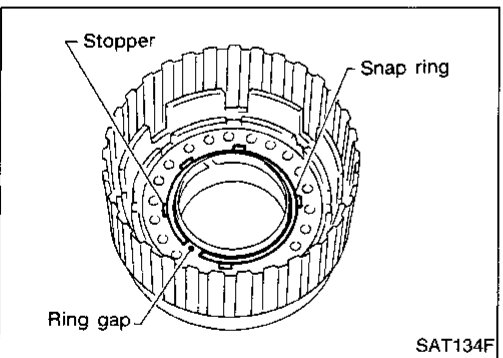


- Align the mark on spring retainer with check ball in overrun clutch piston.

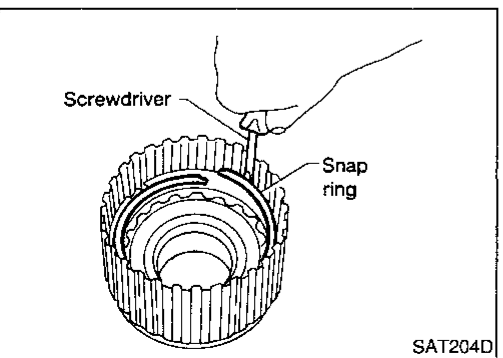


5. Set Tool on spring retainer and install snap ring while compressing return springs.

- Set Tool directly over return springs.**



- Do not align snap ring gap with spring retainer stopper.**



6. Install drive plates, driven plates, retaining plate and dish plate for overrun clutch.

- Take care with order of plates.**

7. Install snap ring for overrun clutch.

GI

MA

EM

LC

EC

FE

CL

MT

AT

FA

RA

BR

ST

RS

BT

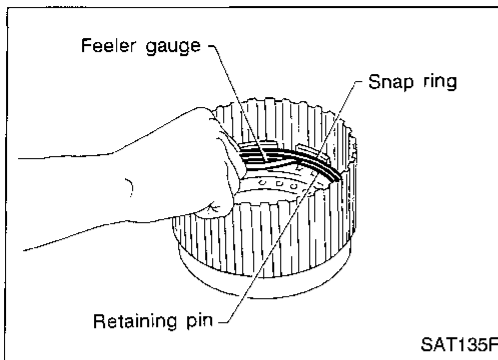
HA

EL

IDX

REPAIR FOR COMPONENT PARTS

Forward Clutch and Overrun Clutch (Cont'd)



8. Measure clearance between overrun clutch retaining plate and snap ring.

If not within allowable limit, select proper retaining plate.

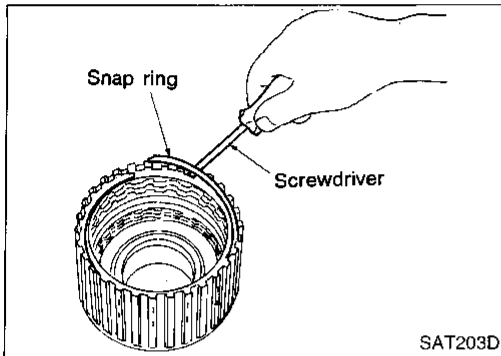
Specified clearance:

Standard 0.7 - 1.1 mm (0.028 - 0.043 in)

Allowable limit 1.7 mm (0.067 in)

Overrun clutch retaining plate:

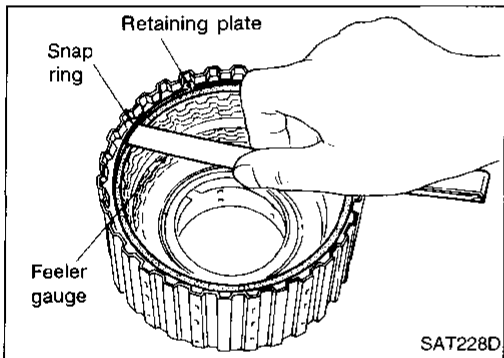
Refer to SDS, AT-241.



9. Install drive plates, driven plates, retaining plate and dish plate for forward clutch.

• **Take care with order of plates.**

10. Install snap ring for forward clutch.



11. Measure clearance between forward clutch retaining plate and snap ring.

If not within allowable limit, select proper retaining plate.

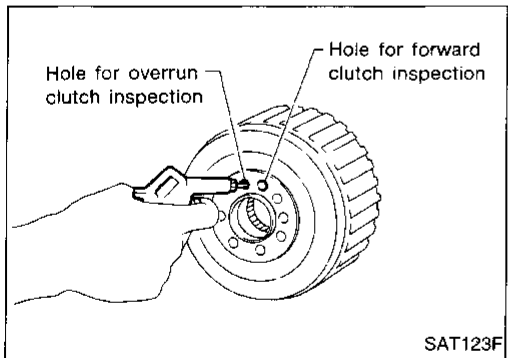
Specified clearance:

Standard 0.45 - 0.85 mm (0.0177 - 0.0335 in)

Allowable limit 1.85 mm (0.0728 in)

Forward clutch retaining plate:

Refer to SDS, AT-241.



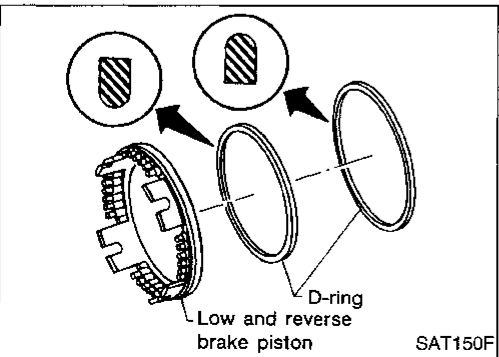
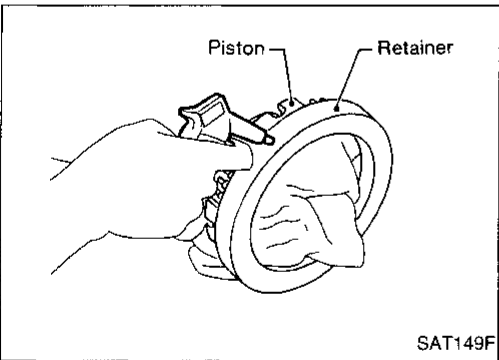
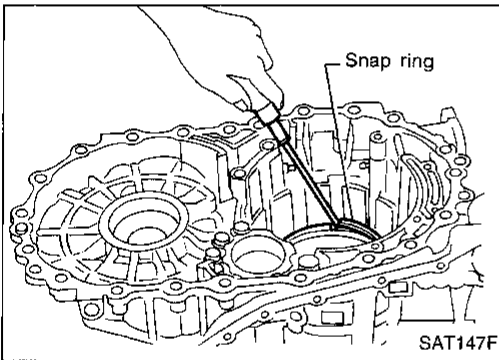
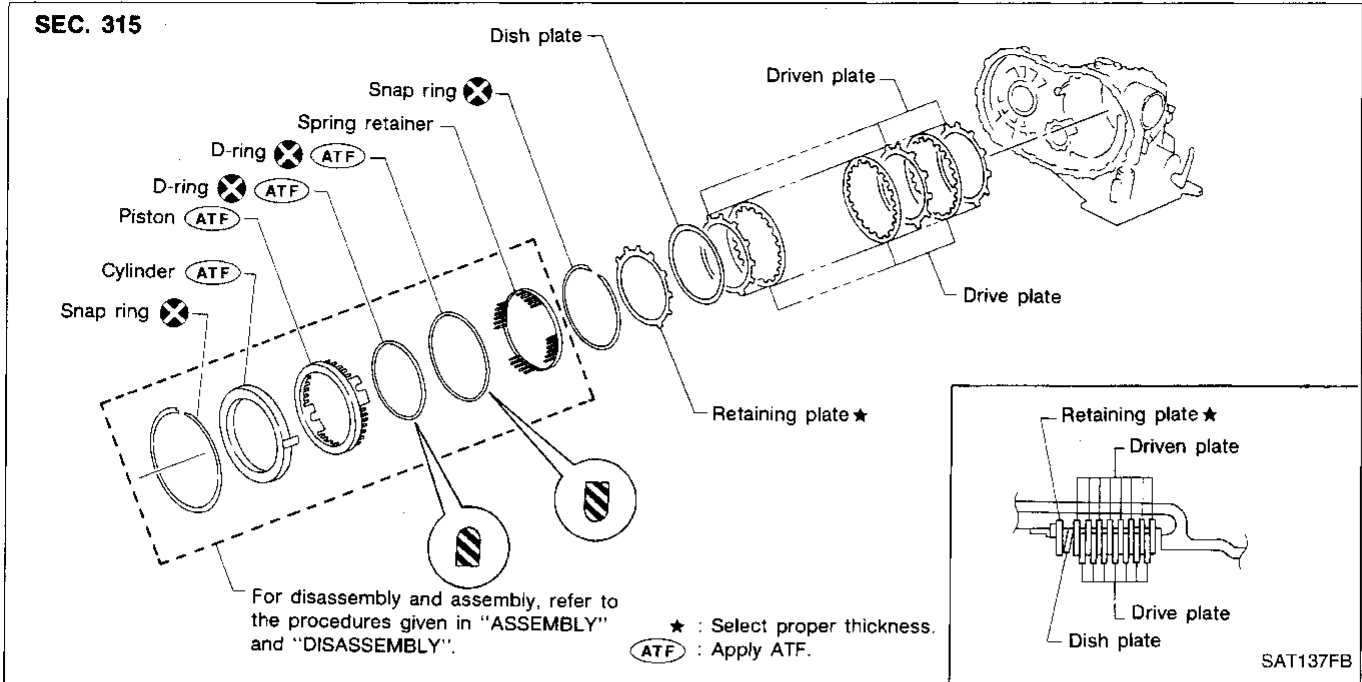
12. Check operation of forward clutch.

Refer to "DISASSEMBLY" of Forward Clutch and Overrun Clutch, AT-190

13. Check operation of overrun clutch.

Refer to "DISASSEMBLY", "Forward Clutch and Overrun Clutch", AT-190.

Low & Reverse Brake



DISASSEMBLY

1. Check operation of low & reverse brake.
 - a. Apply compressed air to oil hole of transmission case.
 - b. Check to see that retaining plate moves to snap ring.
 - c. If retaining plate does not contact snap ring:
 - D-ring might be damaged.
 - Oil seal might be damaged.
 - Fluid might be leaking past piston check ball.

2. In order to remove piston, apply compressed air to oil hole of retainer while holding piston.
 - **Apply air gradually and allow piston to come out evenly.**

3. Remove D-rings from piston.

GI
MA
EM
LC
EC
FE
CL
MT
AT
FA
RA
BR
ST
RS
BT
HA
EL
IDX
805

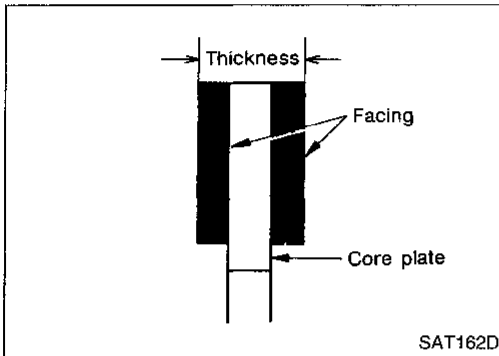
REPAIR FOR COMPONENT PARTS

Low & Reverse Brake (Cont'd)

INSPECTION

Low & reverse clutch snap ring, spring retainer and return springs

- Check for deformation, fatigue or damage. If necessary, replace.
- **When replacing spring retainer and return springs, replace them as a set.**



Low & reverse brake drive plate

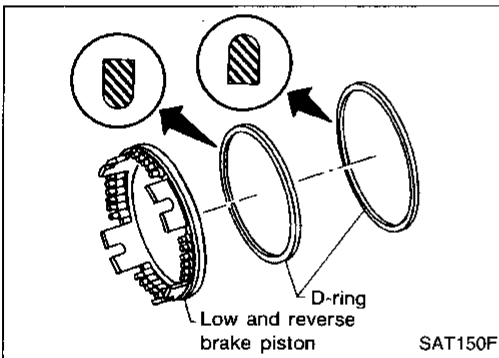
- Check facing for burns, cracks or damage.
- Measure thickness of facing.

Thickness of drive plate:

Standard value 1.8 mm (0.071 in)

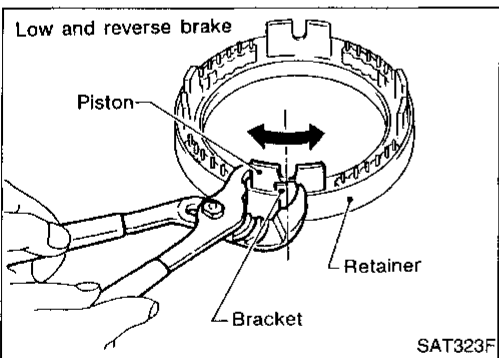
Wear limit 1.6 mm (0.063 in)

- If not within wear limit, replace.

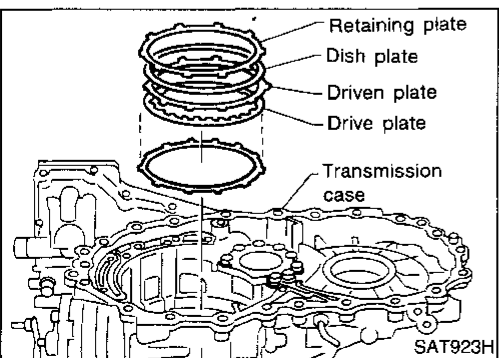


ASSEMBLY

1. Install D-rings on piston.
 - Take care with the direction of oil seal.
 - Apply ATF to both parts.



2. Set and align piston with retainer.
 - **This operation is required in order to engage the protrusions of piston to return springs correctly. Further procedures are given in "ASSEMBLY".**

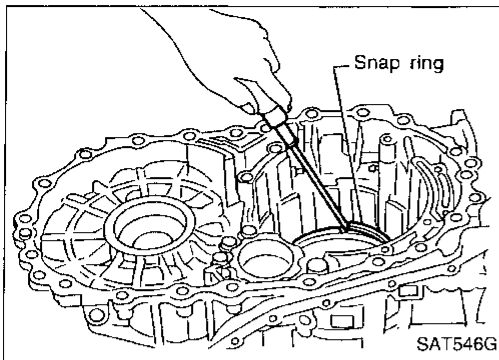


3. Install driven plates, drive plates, dish plate and retaining plate on transmission case.
 - **Take care with order of plates and direction of dish plate.**

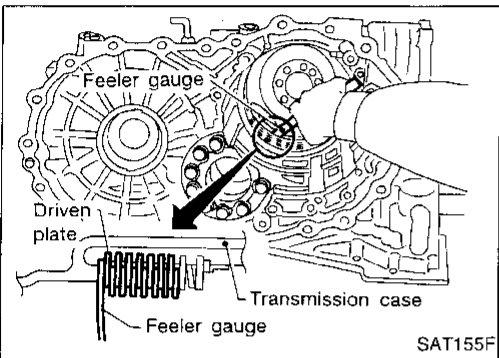
REPAIR FOR COMPONENT PARTS

Low & Reverse Brake (Cont'd)

4. Install snap ring.



5. Measure clearance between driven plate and transmission case. If not within allowable limit, select proper retaining plate. (front side)



Specified clearance:

Standard 1.7 - 2.1 mm (0.067 - 0.083 in)

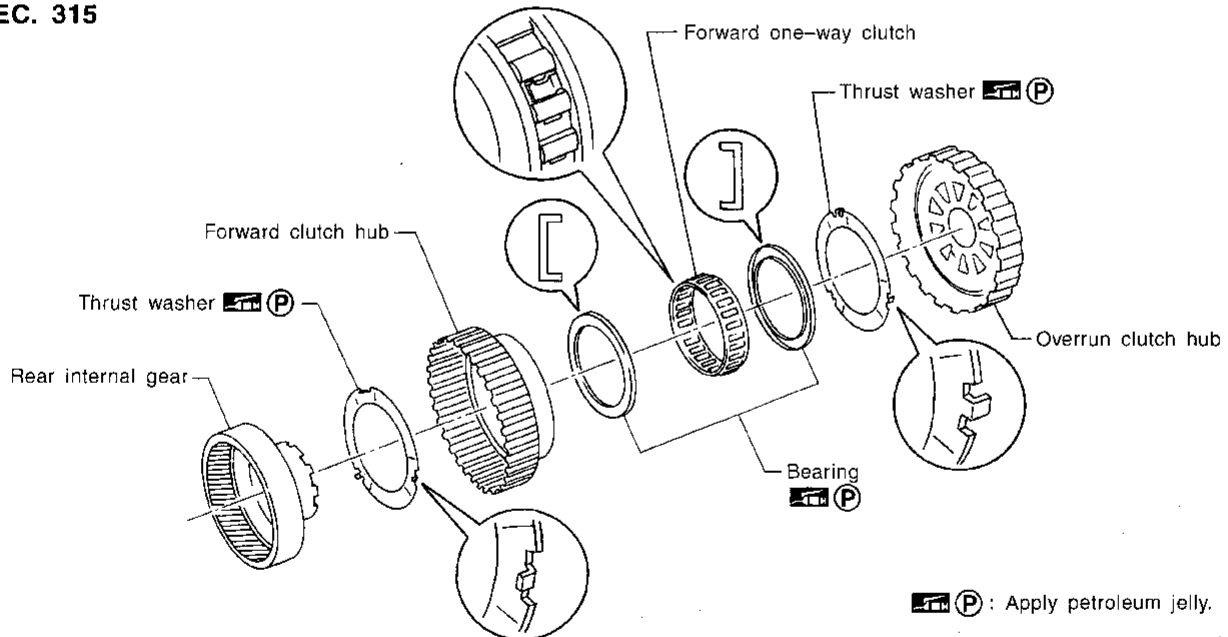
Allowable limit 3.5 mm (0.138 in)

Retaining plate:

Refer to SDS, AT-241.

Rear Internal Gear, Forward Clutch Hub and Overrun Clutch Hub

SEC. 315



SAT975H

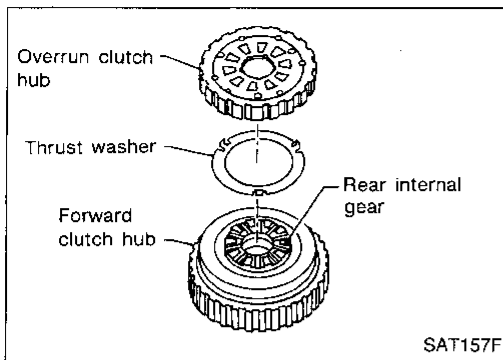
GI
NA
EW
LC
EC
FE
CL
MT
AT
FA
RA
BR
ST
RS
BT
HA
EL
IDX

REPAIR FOR COMPONENT PARTS

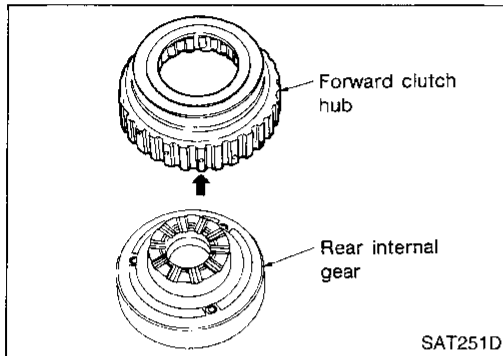
Rear Internal Gear, Forward Clutch Hub and Overrun Clutch Hub (Cont'd)

DISASSEMBLY

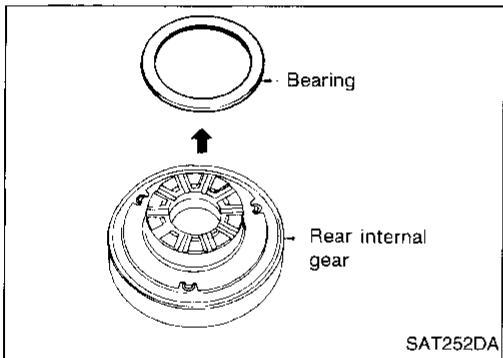
1. Remove overrun clutch hub and thrust washer from forward clutch hub.



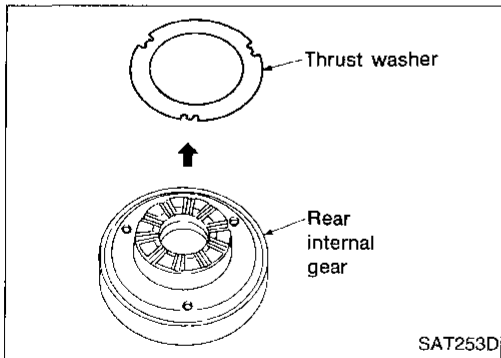
2. Remove forward clutch hub from rear internal gear.



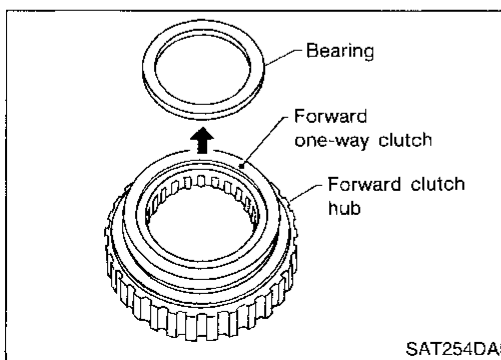
3. Remove bearing from rear internal gear.



4. Remove thrust washer from rear internal gear.



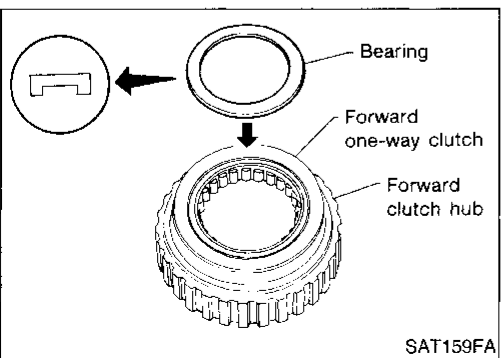
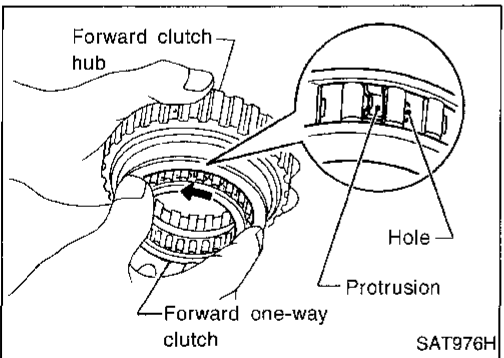
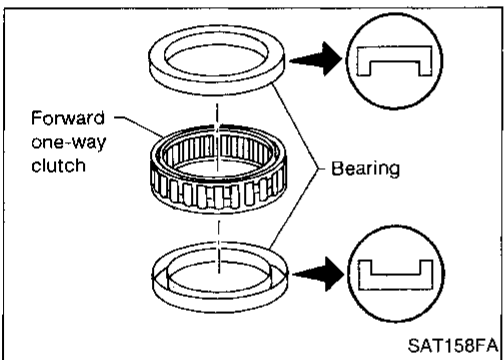
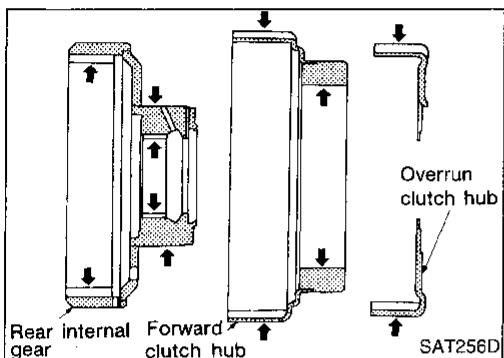
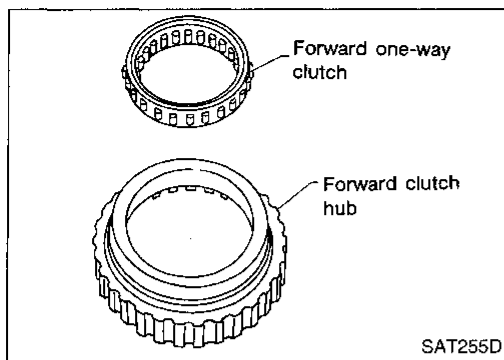
5. Remove bearing from forward one-way clutch.



REPAIR FOR COMPONENT PARTS

Rear Internal Gear, Forward Clutch Hub and Overrun Clutch Hub (Cont'd)

6. Remove forward one-way clutch from forward clutch hub.



INSPECTION

Rear internal gear, forward clutch hub and overrun clutch hub

- Check rubbing surfaces for wear or damage.

Bearings and forward one-way clutch

- Check bearings for deformation and damage.
- Check forward one-way clutch for wear and damage.

ASSEMBLY

1. Install forward one-way clutch on forward clutch.
 - Take care with the direction of forward one-way clutch.
2. Install bearing on forward one-way clutch.
 - Apply petroleum jelly to bearing.

GI

MA

EM

LC

EC

FE

CL

MT

AT

FA

RA

BR

ST

RS

BT

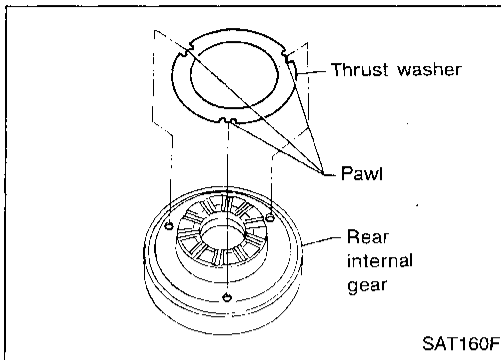
HA

EL

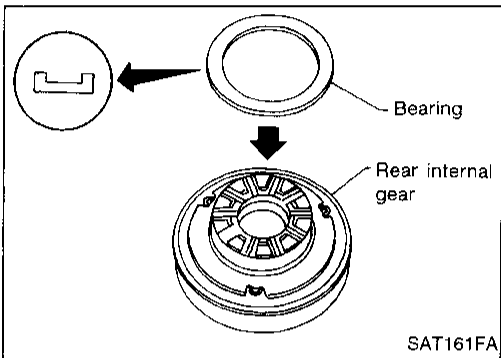
IDX

REPAIR FOR COMPONENT PARTS

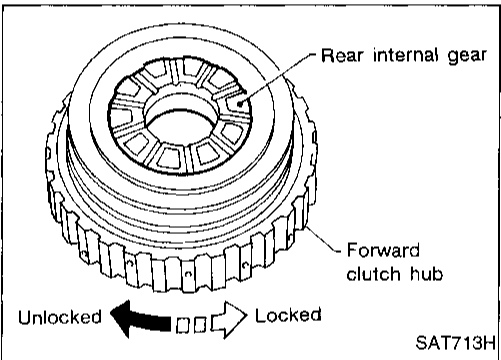
Rear Internal Gear, Forward Clutch Hub and Overrun Clutch Hub (Cont'd)



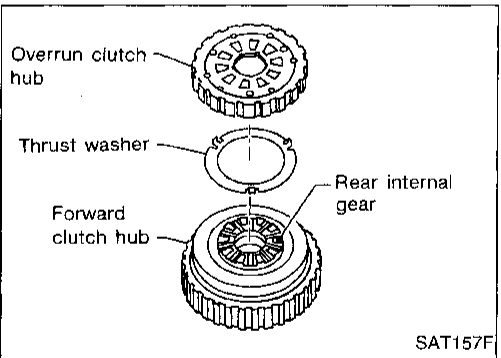
3. Install thrust washer on rear internal gear.
 - Apply petroleum jelly to thrust washer.
 - Align hooks of thrust washer with holes of rear internal gear.



4. Install bearing on rear internal gear.
 - Apply petroleum jelly to bearing.



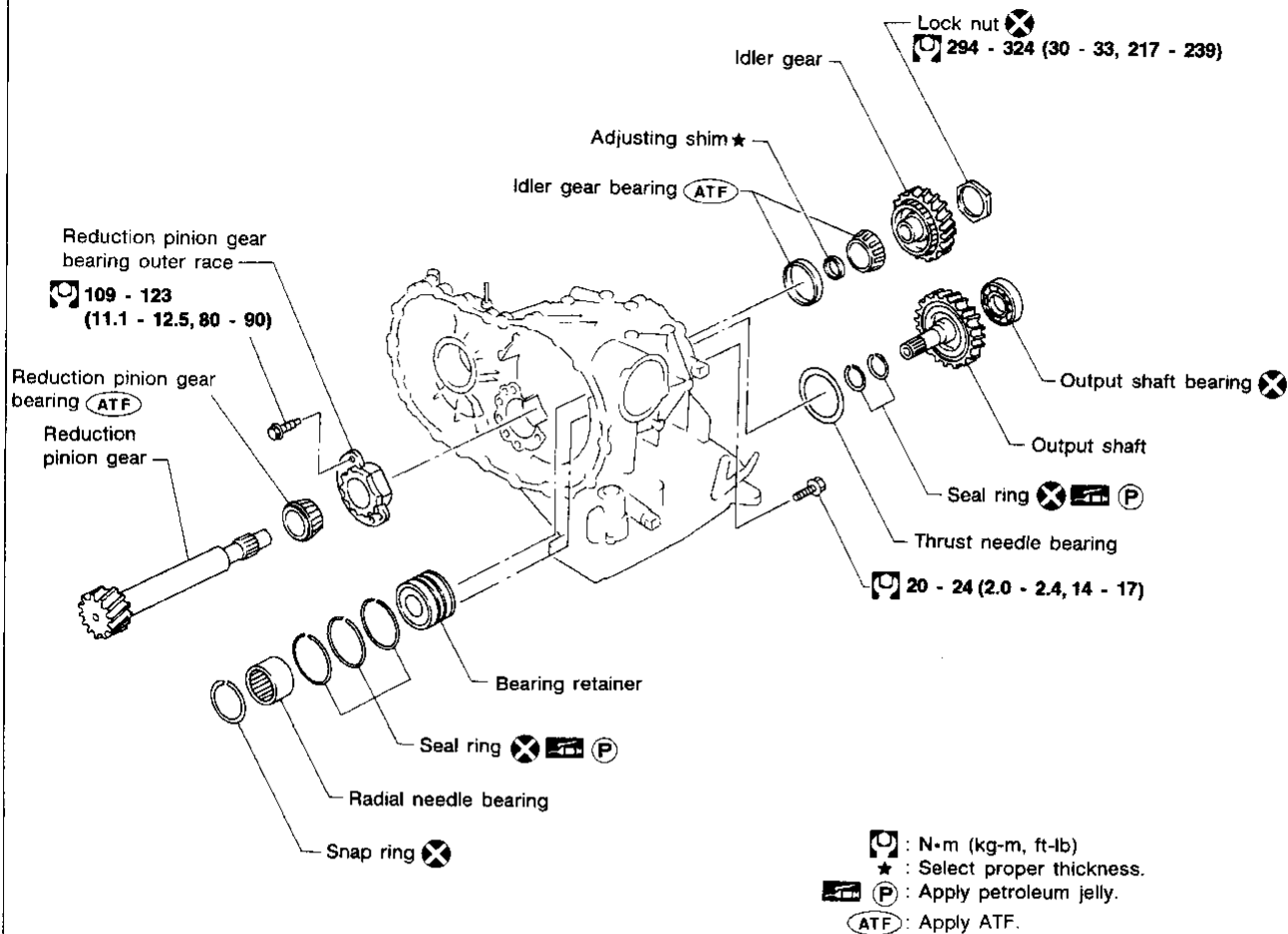
5. Install forward clutch hub on rear internal gear.
 - Check operation of forward one-way clutch. Hold rear internal gear and turn forward clutch hub. Check forward clutch hub for correct locking and unlocking directions.
 - If not as shown in illustration, check installation direction of forward one-way clutch.



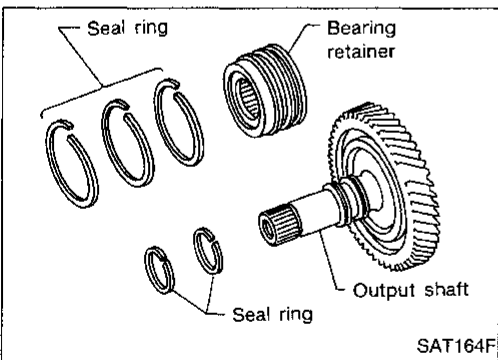
6. Install thrust washer and overrun clutch hub.
 - Apply petroleum jelly to thrust washer.
 - Align hooks of thrust washer with holes of overrun clutch hub.
 - Align projections of rear internal gear with holes of overrun clutch hub.

Output Shaft, Idler Gear, Reduction Pinion Gear and Bearing Retainer

SEC. 314

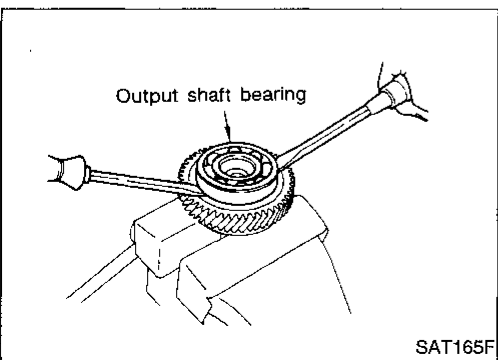


SAT557GB



DISASSEMBLY

1. Remove seal rings from output shaft and bearing retainer.



2. Remove output shaft bearing with screwdrivers.

- Always replace bearing with a new one when removed.
- Do not damage output shaft.

GI

MA

EM

LC

EC

FE

CL

MT

AT

FA

RA

BR

ST

RS

BT

HA

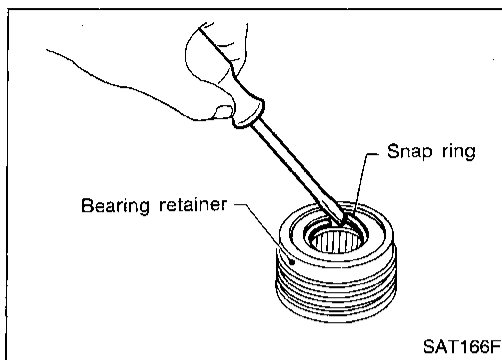
EL

IDX

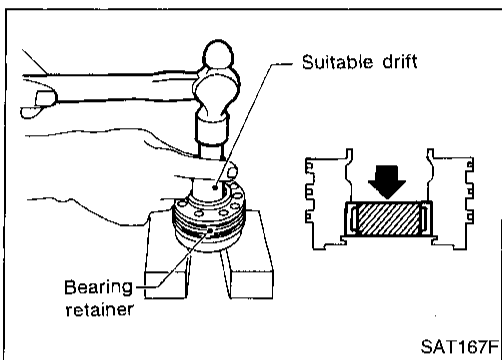
REPAIR FOR COMPONENT PARTS

Output Shaft, Idler Gear, Reduction Pinion Gear and Bearing Retainer (Cont'd)

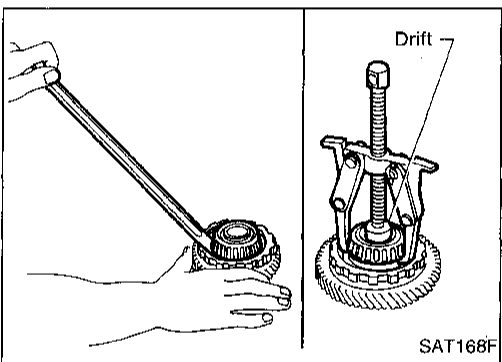
3. Remove snap ring from bearing retainer.



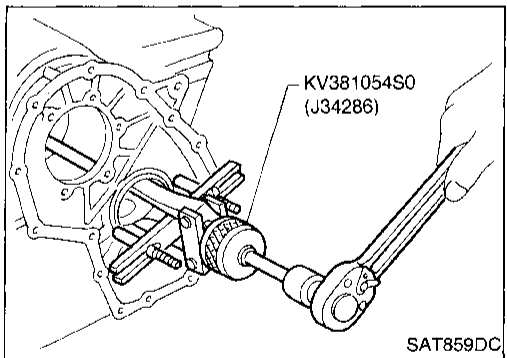
4. Remove needle bearing from bearing retainer.



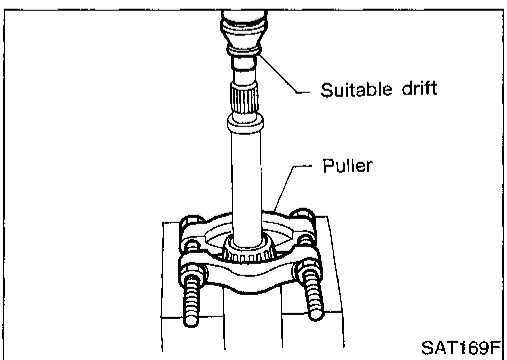
5. Remove idler gear bearing inner race from idler gear.



6. Remove idler gear bearing outer race from transmission case.

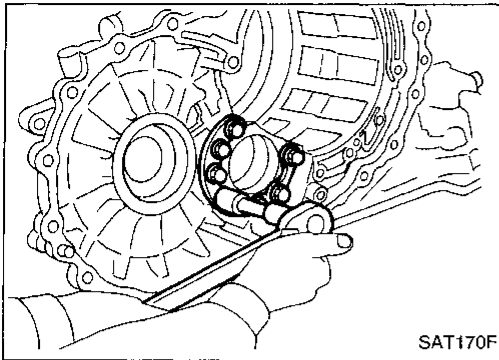


7. Press out reduction pinion gear bearing inner race from reduction pinion gear.



REPAIR FOR COMPONENT PARTS

Output Shaft, Idler Gear, Reduction Pinion Gear and Bearing Retainer (Cont'd)

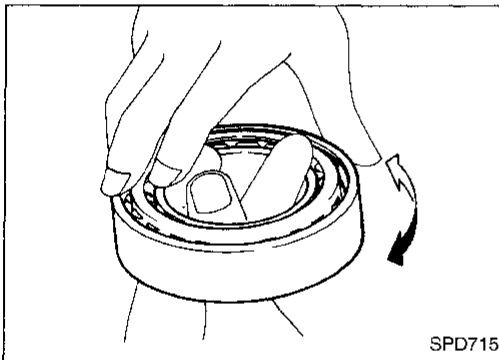


8. Remove reduction pinion gear bearing outer race from transmission case.

INSPECTION

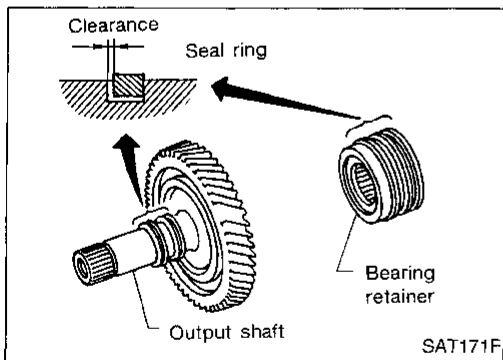
Output shaft, idler gear and reduction pinion gear

- Check shafts for cracks, wear or bending.
- Check gears for wear, chips and cracks.



Bearing

- Make sure bearings roll freely and are free from noise, cracks, pitting or wear.
- **When replacing taper roller bearing, replace outer and inner race as a set.**



Seal ring clearance

- Install new seal rings to output shaft.
- Measure clearance between seal ring and ring groove of output shaft.

Standard clearance:

0.10 - 0.25 mm (0.0039 - 0.0098 in)

Allowable limit:

0.25 mm (0.0098 in)

- If not within allowable limit, replace output shaft.
- Install new seal rings to bearing retainer.
- Measure clearance between seal ring and ring groove of bearing retainer.

Standard clearance:

0.10 - 0.30 mm (0.0039 - 0.0118 in)

Allowable limit:

0.30 mm (0.0118 in)

- If not within allowable limit, replace bearing retainer.

GI

MA

EM

LC

EC

FE

CL

MT

AT

FA

RA

BR

ST

RS

BT

HA

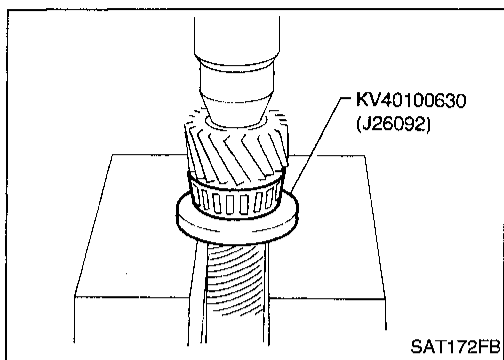
EL

IDX

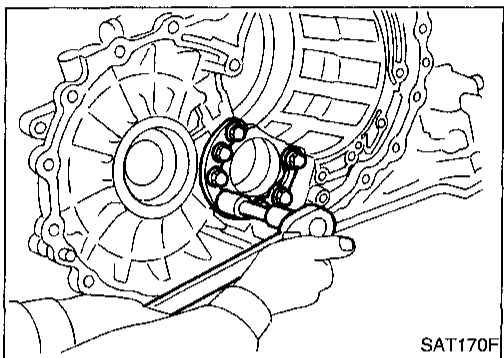
REPAIR FOR COMPONENT PARTS

Output Shaft, Idler Gear, Reduction Pinion Gear and Bearing Retainer (Cont'd)

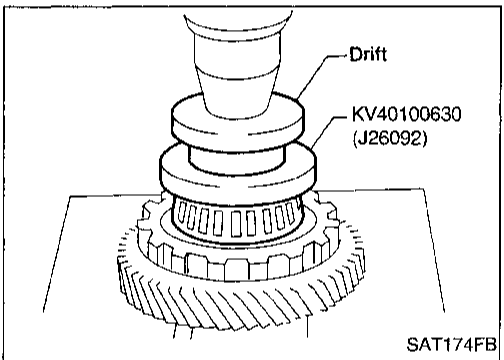
ASSEMBLY



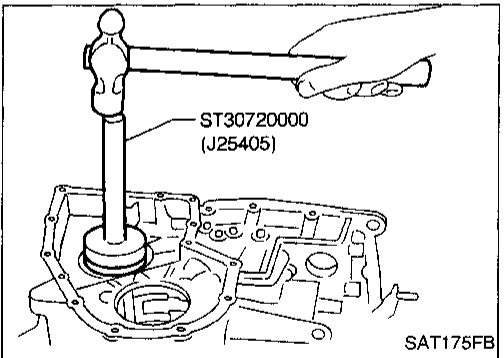
1. Press reduction pinion gear bearing inner race on reduction pinion gear.



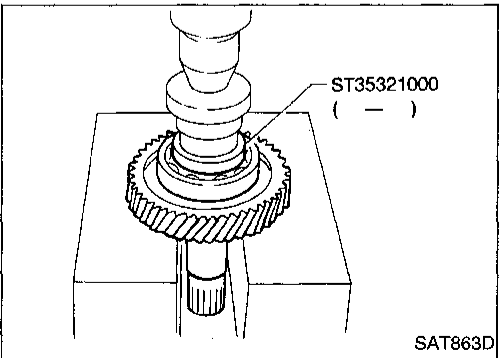
2. Install reduction pinion gear bearing outer race on transmission case.



3. Press idler gear bearing inner race on idler gear.



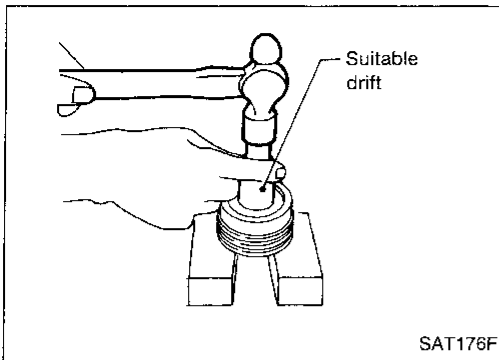
4. Install idler gear bearing outer race on transmission case.



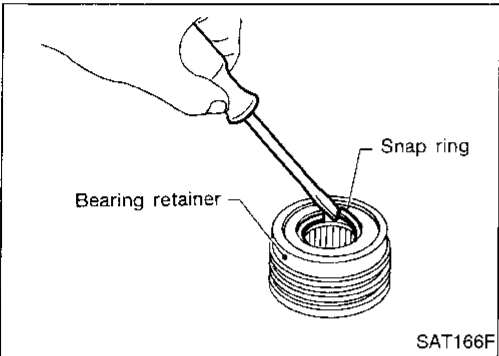
5. Press output shaft bearing on output shaft.

REPAIR FOR COMPONENT PARTS

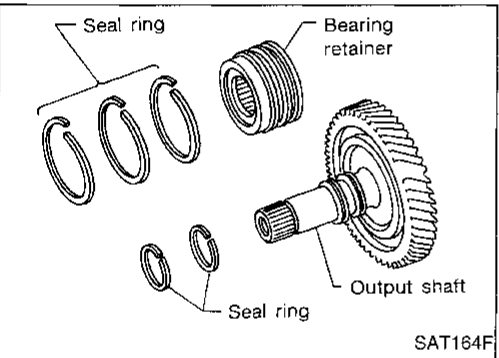
Output Shaft, Idler Gear, Reduction Pinion Gear and Bearing Retainer (Cont'd)



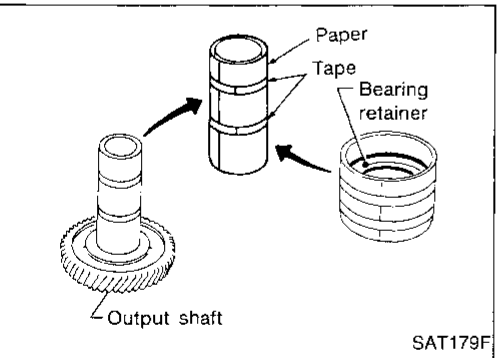
6. Press needle bearing on bearing retainer.



7. Install snap ring to bearing retainer.



8. After packing ring grooves with petroleum jelly, carefully install new seal rings on output shaft and bearing retainer.



- Roll paper around seal rings to prevent seal rings from spreading.

GI

MA

EM

LC

EC

FE

CL

MT

AT

FA

RA

BR

ST

RS

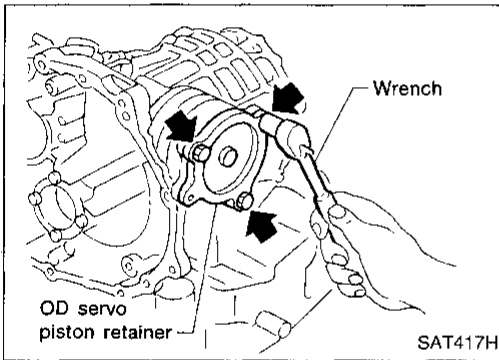
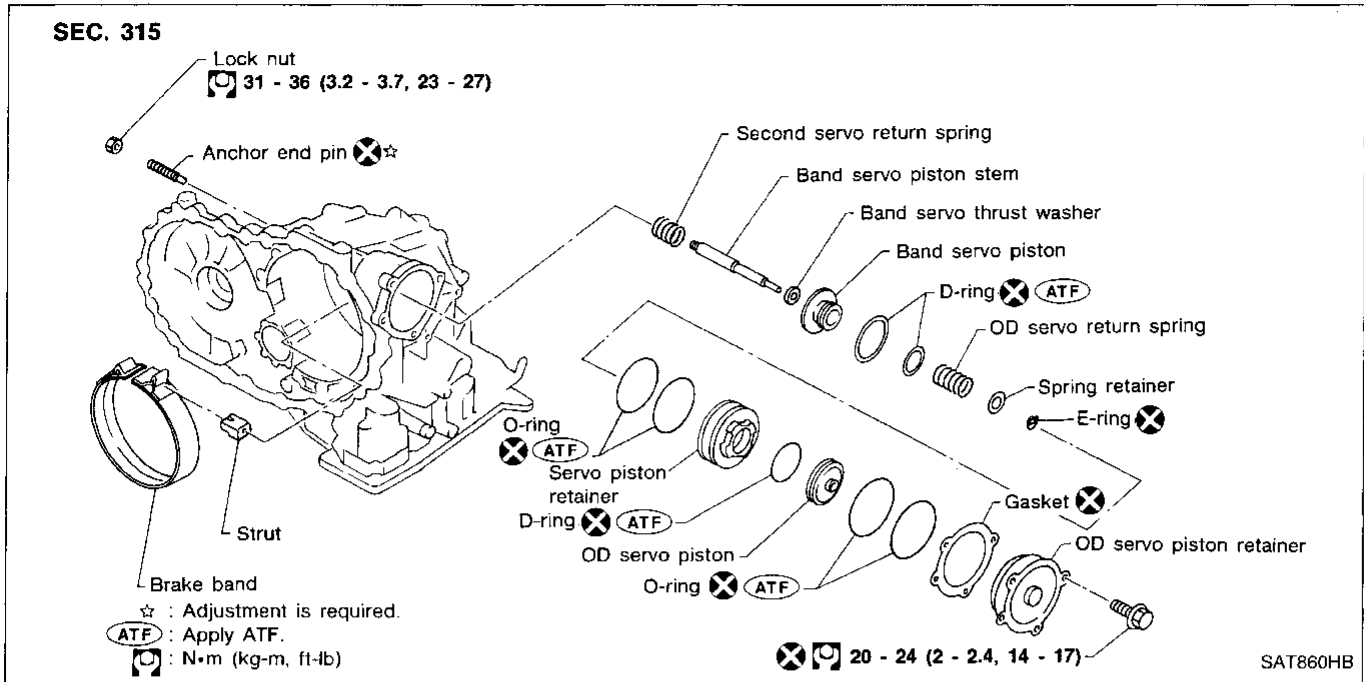
BT

HA

EL

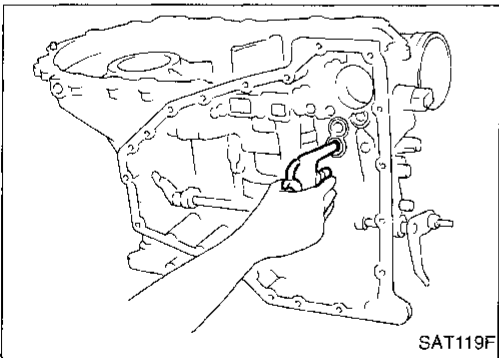
IDX

Band Servo Piston Assembly



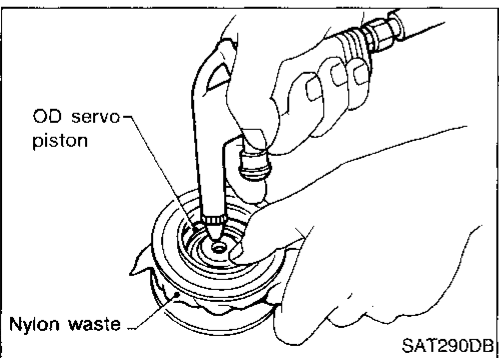
DISASSEMBLY

1. Remove band servo piston fixing bolts.



2. Apply compressed air to oil hole in transmission case to remove OD servo piston retainer and band servo piston assembly.

- Hold band servo piston assembly with a rag or nylon waste.



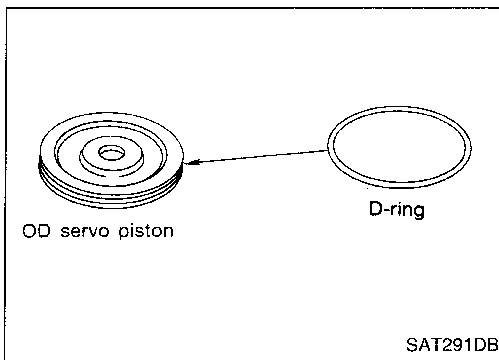
3. Apply compressed air to oil hole in OD servo piston retainer to remove OD servo piston from retainer.

- Hold OD servo piston while applying compressed air.

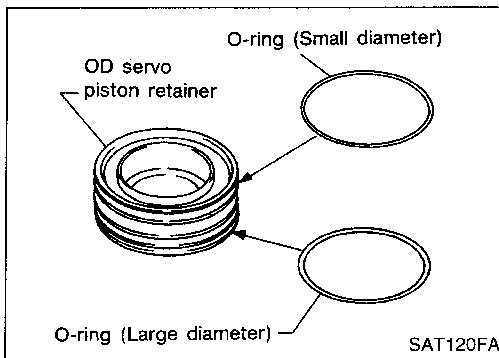
REPAIR FOR COMPONENT PARTS

Band Servo Piston Assembly (Cont'd)

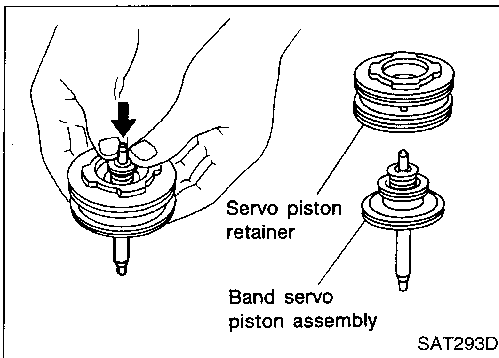
4. Remove D-ring from OD servo piston.



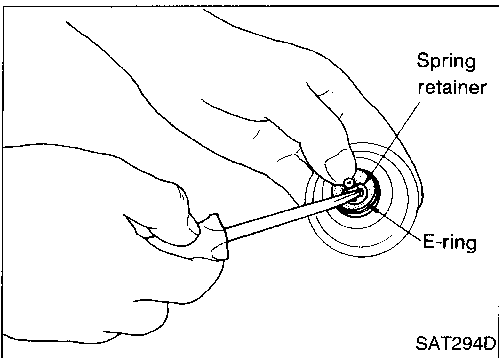
5. Remove O-rings from OD servo piston retainer.



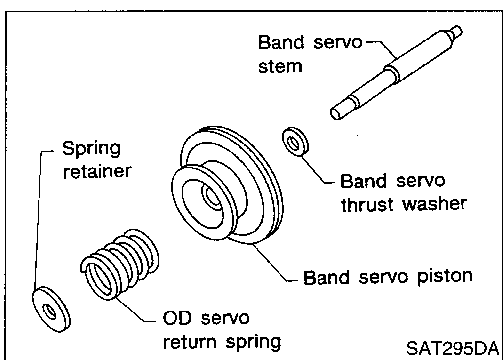
6. Remove band servo piston assembly from servo piston retainer by pushing it forward.



7. Place piston stem end on a wooden block. While pushing servo piston spring retainer down, remove E-ring.



8. Remove OD servo return spring, band servo thrust washer and band servo piston stem from band servo piston.



GI

MA

EM

LC

EC

FE

CL

MT

AT

FA

RA

BR

ST

RS

BT

HA

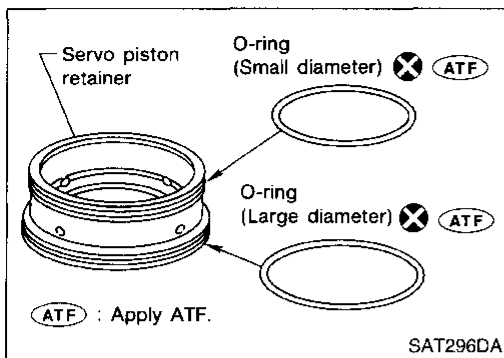
EL

IDX

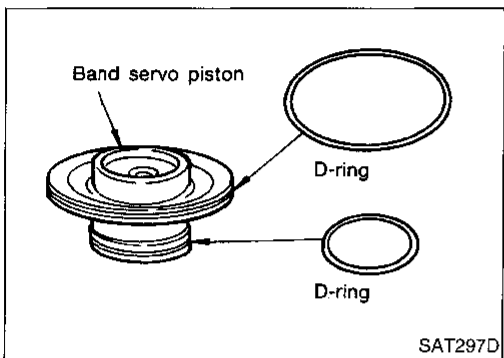
REPAIR FOR COMPONENT PARTS

Band Servo Piston Assembly (Cont'd)

9. Remove O-rings from servo piston retainer.



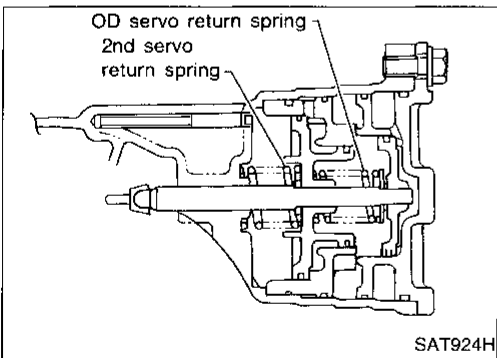
10. Remove D-rings from band servo piston.



INSPECTION

Pistons, retainers and piston stem

- Check frictional surfaces for abnormal wear or damage.



Return springs

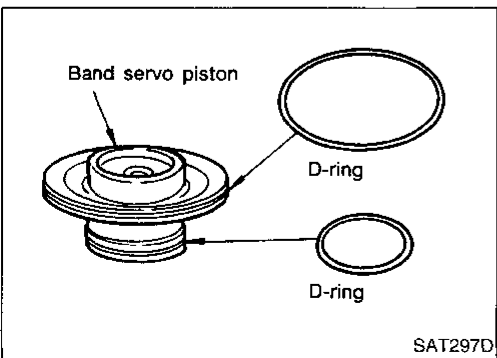
- Check for deformation or damage.
- Measure free length and outer diameter.

Inspection standard:

Refer to SDS, AT-244.

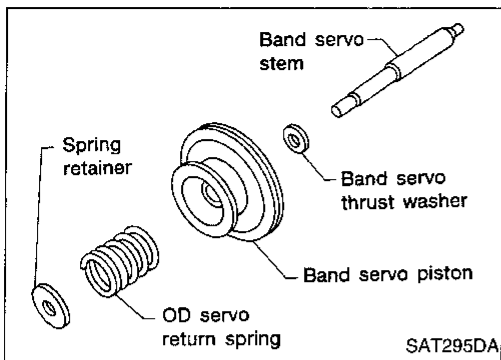
ASSEMBLY

1. Install D-rings to servo piston retainer.
- Apply ATF to D-rings.
 - Pay attention to position of each O-ring.

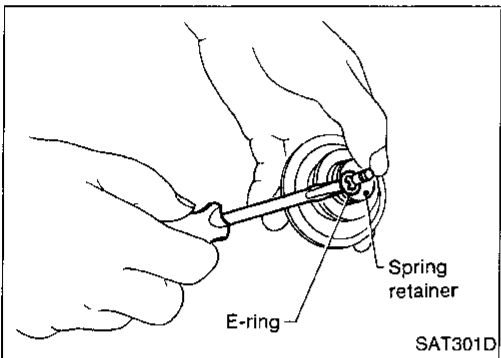


REPAIR FOR COMPONENT PARTS

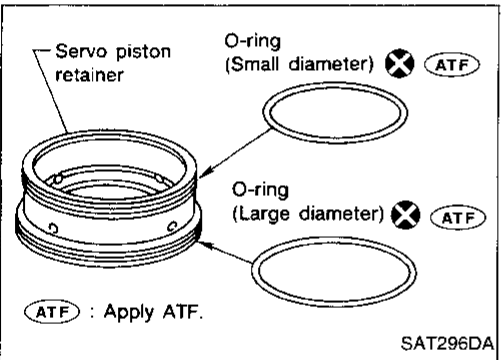
Band Servo Piston Assembly (Cont'd)



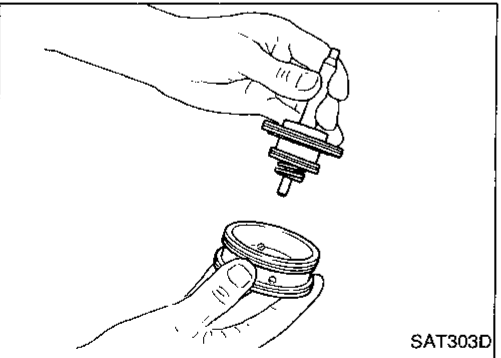
2. Install band servo piston stem, band servo thrust washer, OD servo return spring and spring retainer to band servo piston.



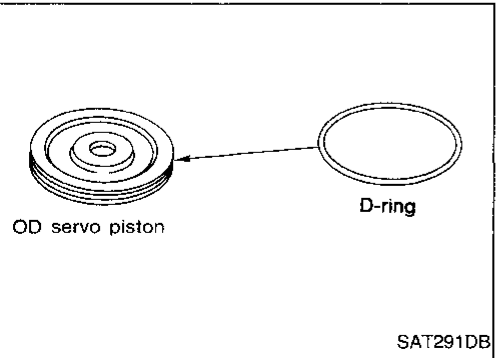
3. Place piston stem end on a wooden block. While pushing servo piston spring retainer down, install E-ring.



4. Install O-rings to servo piston retainer.
 - **Apply ATF to O-rings.**
 - **Pay attention to position of each O-ring.**



5. Install band servo piston assembly to servo piston retainer by pushing it inward.



6. Install D-ring to OD servo piston.
 - **Apply ATF to D-ring.**

GI

MA

EM

LC

EC

FE

CL

MT

AT

FA

RA

BR

ST

RS

BT

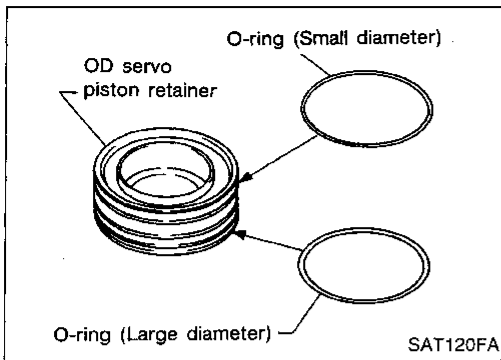
HA

EL

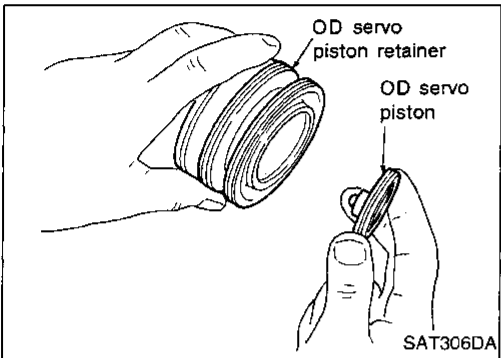
IDX

REPAIR FOR COMPONENT PARTS

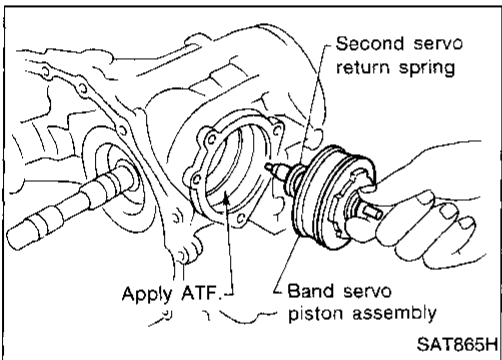
Band Servo Piston Assembly (Cont'd)



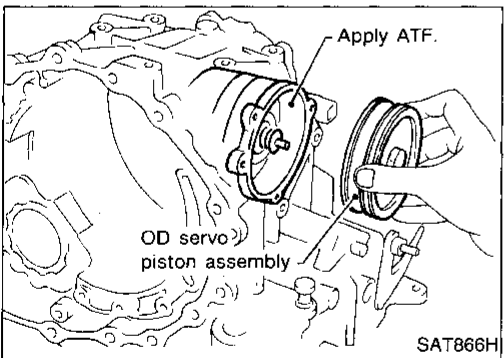
7. Install O-rings to OD servo piston retainer.
 - **Apply ATF to O-rings.**
 - **Pay attention to position of each O-ring.**



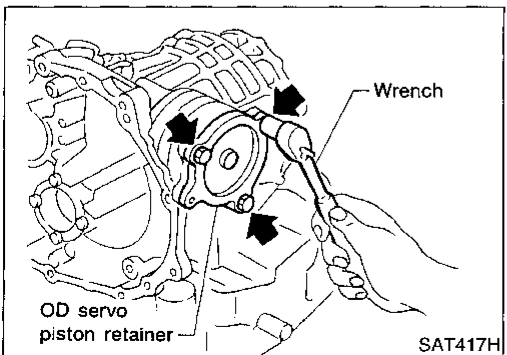
8. Install OD servo piston to OD servo piston retainer.



9. Install band servo piston assembly and 2nd servo return spring to transmission case.
 - **Apply ATF to O-ring of band servo piston and transmission case.**



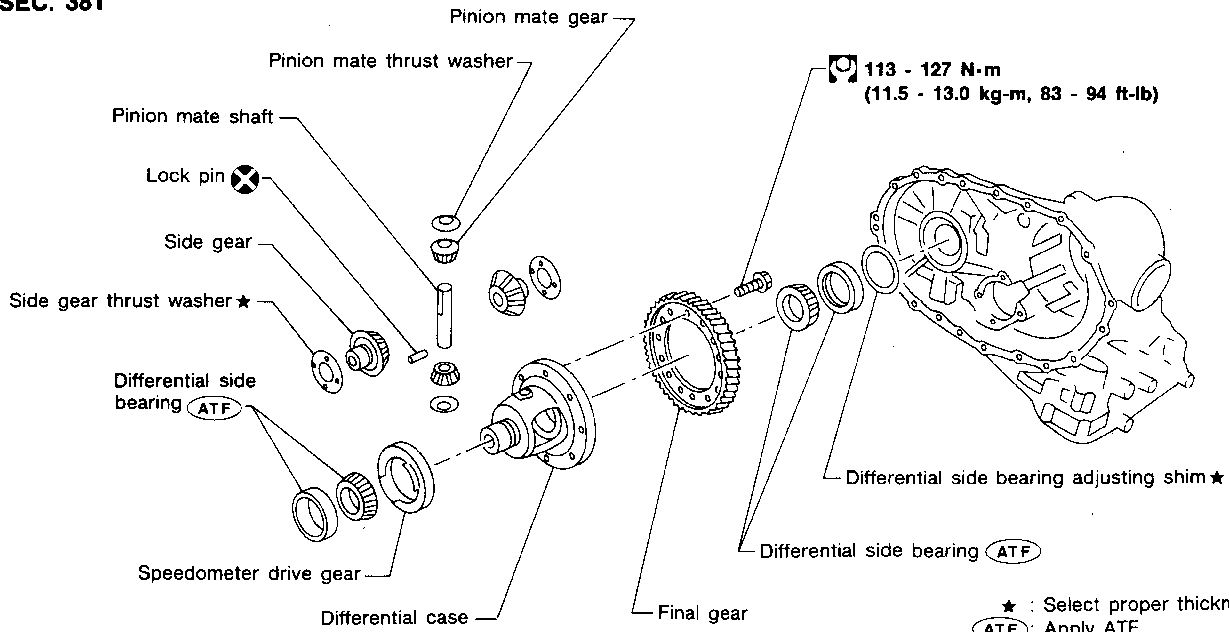
10. Install OD servo piston assembly to transmission case.
 - **Apply ATF to O-ring of band servo piston and transmission case.**



11. Install band servo piston snap ring to transmission case.

Final Drive — RE4F04A

SEC. 381

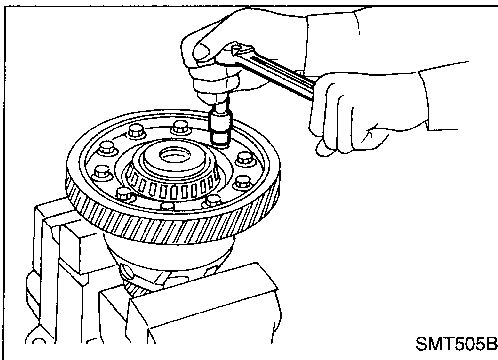


SAT452HB

GI
MA
EM
LC
EC
FE
CL

DISASSEMBLY

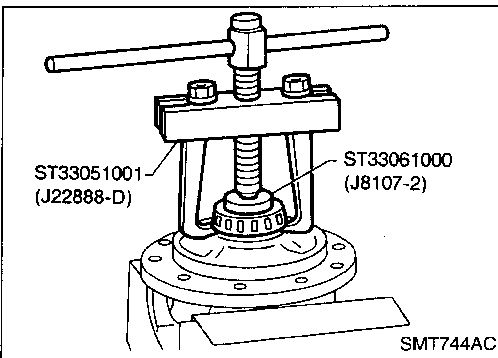
1. Remove final gear.



WT

AT

2. Press out differential side bearings.
 - **Be careful not to mix up the right and left bearings.**



FA

RA

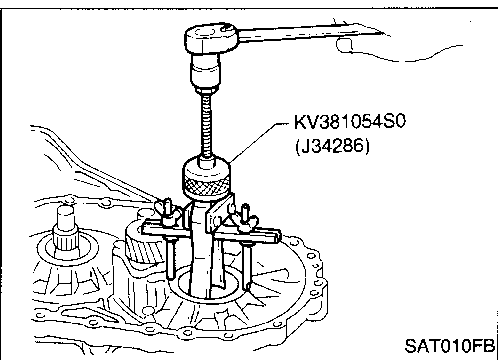
BR

ST

RS

BT

3. Remove differential side bearing outer race, and side bearing adjusting shim from transmission case.



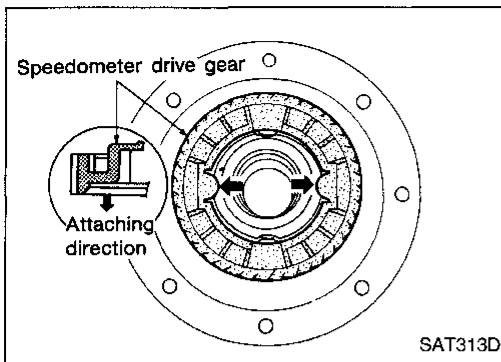
HA

EL

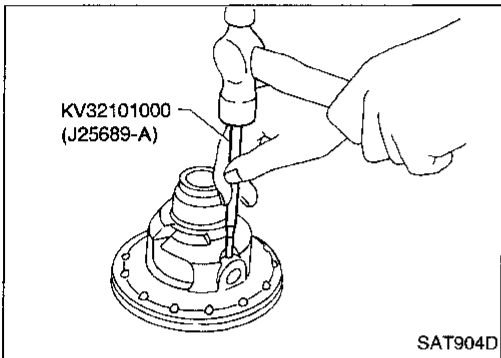
IDX

REPAIR FOR COMPONENT PARTS

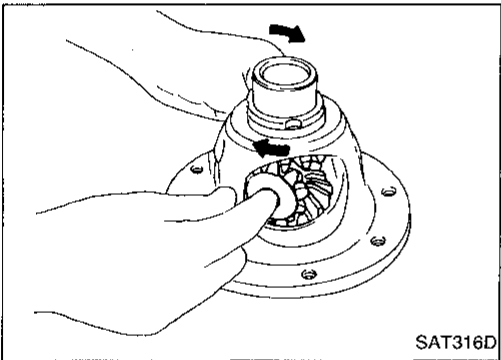
Final Drive — RE4F04A (Cont'd)



4. Remove speedometer drive gear.

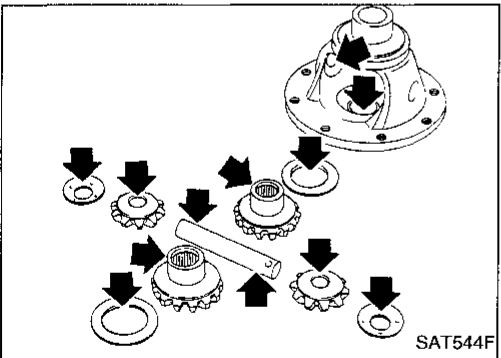


5. Drive out pinion mate shaft lock pin.



6. Draw out pinion mate shaft lock pin.

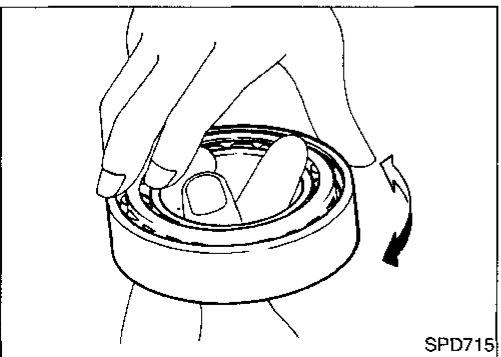
7. Remove pinion mate gears and side gears.



INSPECTION

Gear, washer, shaft and case

- Check mating surfaces of differential case, side gears and pinion mate gears.
- Check washers for wear.



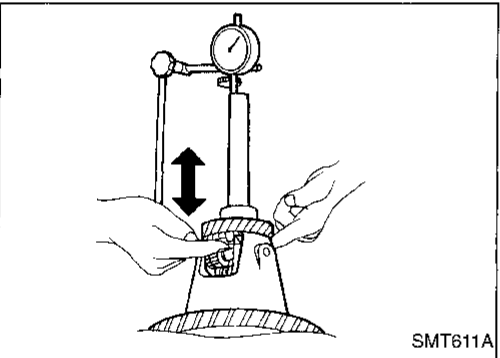
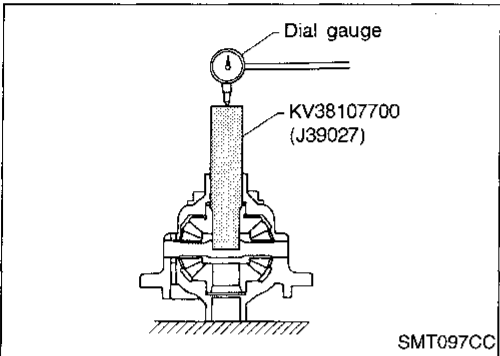
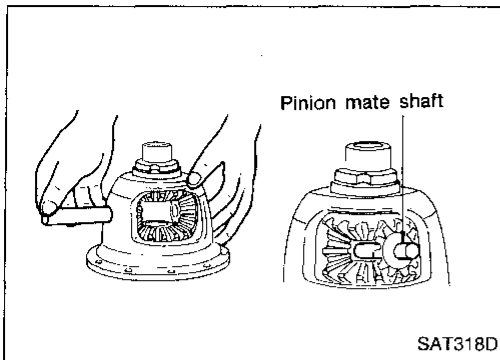
Bearings

- Make sure bearings roll freely and are free from noise, cracks, pitting or wear.
- **When replacing taper roller bearing, replace outer and inner race as a set.**

REPAIR FOR COMPONENT PARTS

Final Drive — RE4F04A (Cont'd)

ASSEMBLY



1. Install side gears and thrust washers in differential case.
2. Install pinion mate gears and thrust washers in the differential case while rotating them.

- **When inserting, be careful not to damage pinion mate gear washers.**
- **Apply ATF to all parts.**

3. Measure clearance between side gear and differential case with washers following the procedure below:

- a. Set Tool and dial indicator on side gear.

- b. Move side gear up and down to measure dial indicator deflection. Always measure indicator deflection on both side gears.

Clearance between side gear and differential case with washers:

0.1 - 0.2 mm (0.004 - 0.008 in)

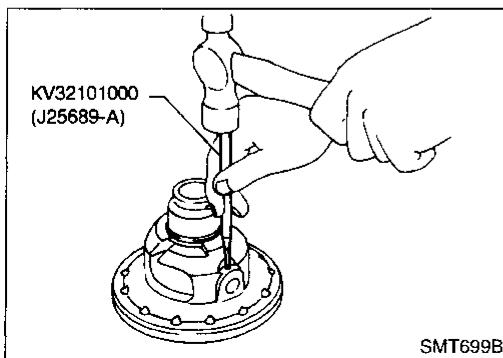
- c. If not within specification, adjust clearance by changing thickness of side gear thrust washers.

Side gear thrust washer:

Refer to AT-242.

4. Install lock pin.

- **Make sure that lock pin is flush with case.**



GI

MA

EW

LC

EC

FE

CL

MT

AT

FA

RA

BR

ST

RS

BT

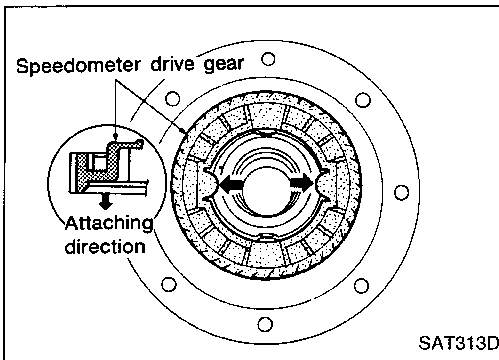
HA

EL

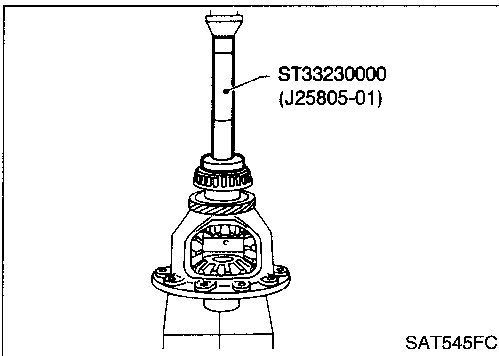
IDX

REPAIR FOR COMPONENT PARTS

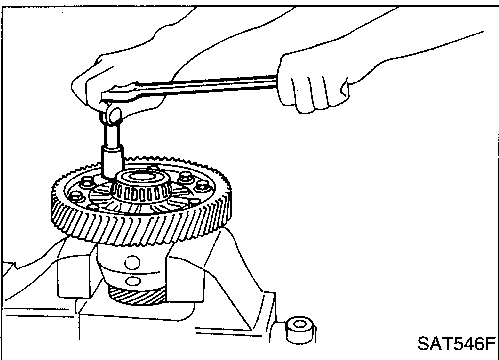
Final Drive — RE4F04A (Cont'd)



5. Install speedometer drive gear on differential case.
 - **Align the projection of speedometer drive gear with the groove of differential case.**



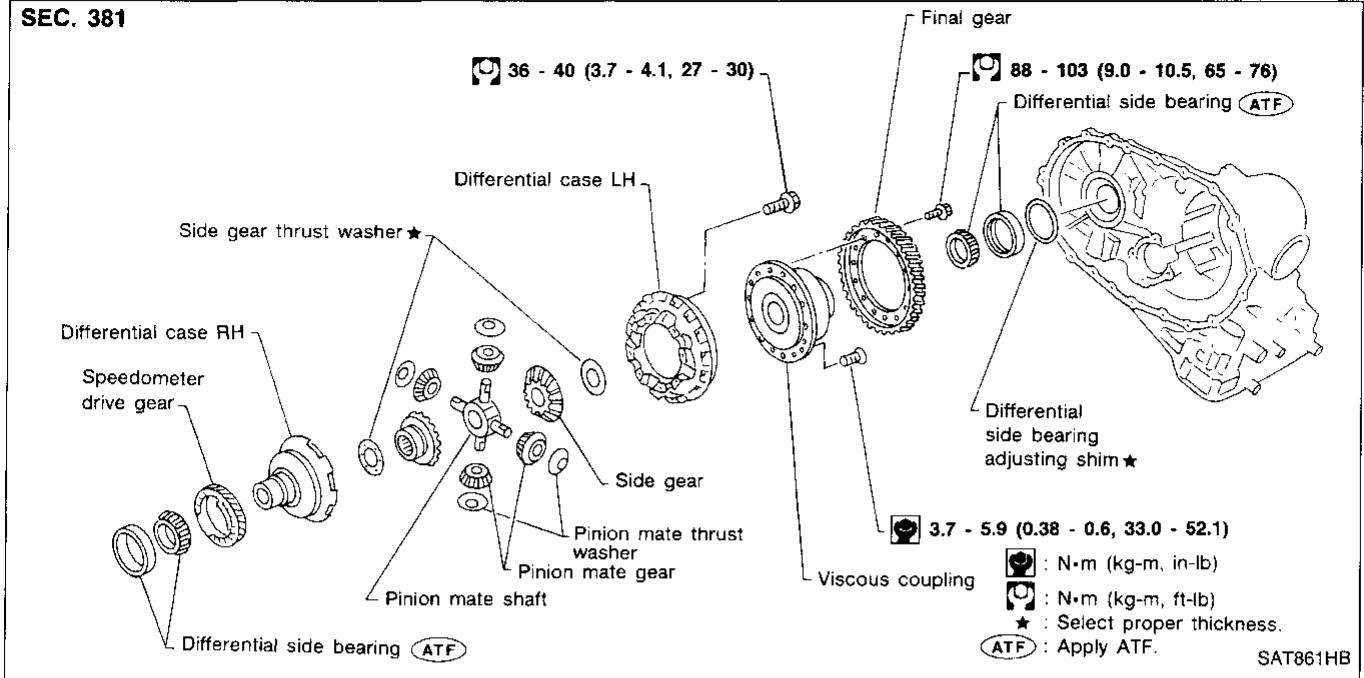
6. Press on differential side bearings.



7. Install final gear and tighten fixing bolts in a crisscross pattern.

Final Drive — RE4F04V

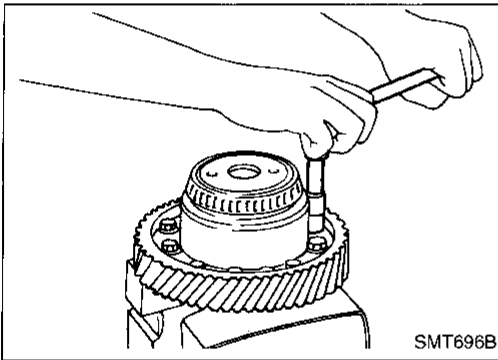
SEC. 381



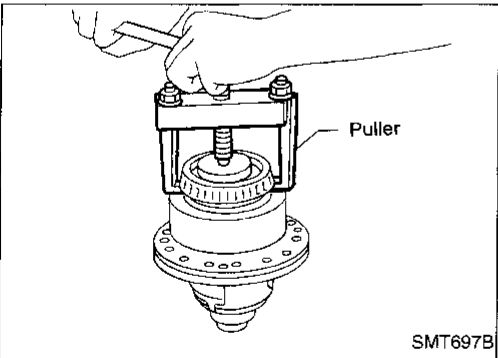
SAT861HB

DISASSEMBLY

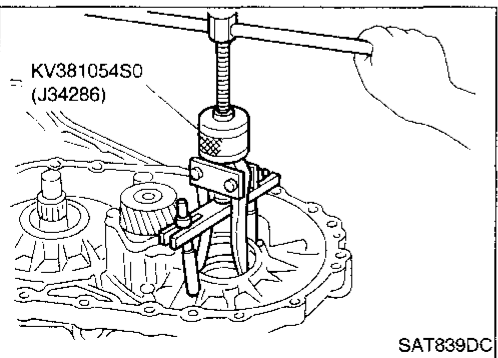
1. Remove final gear.



2. Press out differential side bearings.



3. Remove differential side bearing outer race, and side bearing adjusting shim from transmission case.

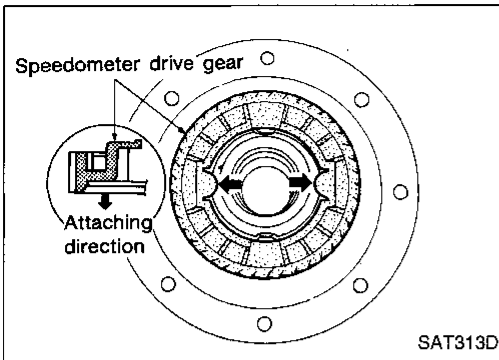


GI
MA
EM
LC
EC
FE
CL
MT
AT
FA
RA
BR
ST
RS
BT
HA
EL
IDX

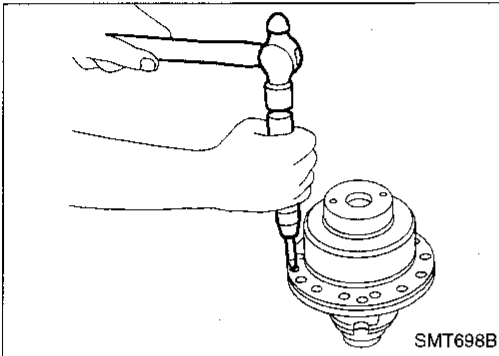
REPAIR FOR COMPONENT PARTS

Final Drive — RE4F04V (Cont'd)

4. Remove speedometer drive gear.

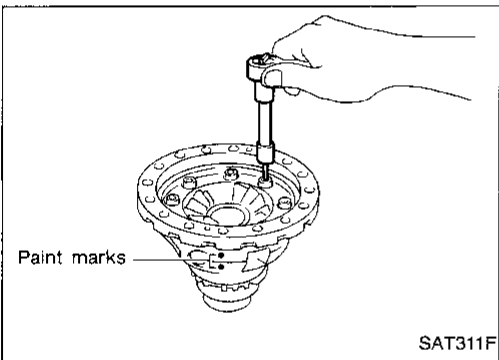


5. Remove viscous coupling.



6. Separate differential cases. Make paint marks to identify their original position.

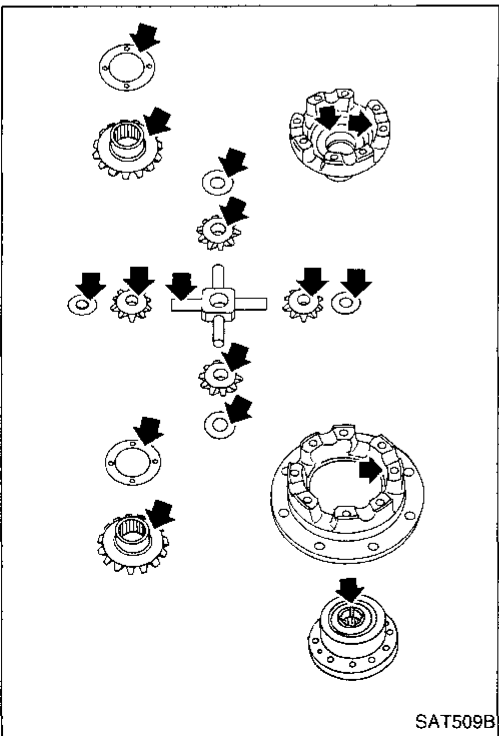
7. Remove pinion mate shaft with gears.



INSPECTION

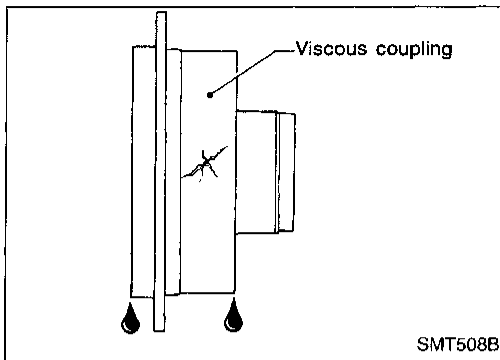
Gear, washer, shaft and case

- Check mating surfaces of differential case, side gears, pinion mate gears and viscous coupling.
- Check washers for wear.



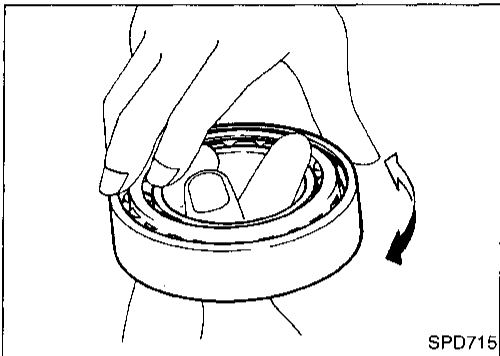
REPAIR FOR COMPONENT PARTS

Final Drive — RE4F04V (Cont'd)



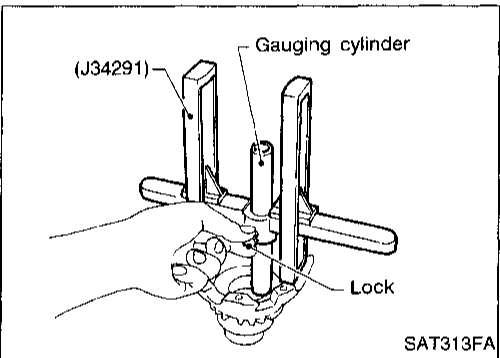
Viscous coupling

- Check case for cracks.
- Check silicone oil for leakage.



Bearings

- Make sure bearings roll freely and are free from noise, cracks, pitting or wear.
- **When replacing taper roller bearing, replace outer and inner race as a set.**

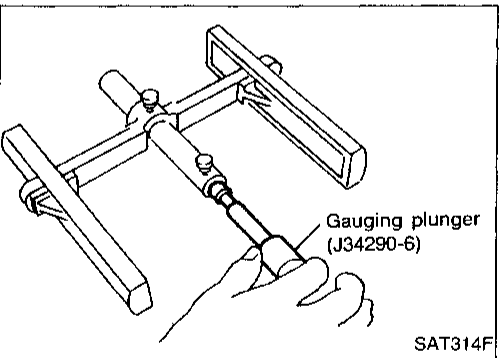


ASSEMBLY

1. Measure clearance between side gear and differential case & viscous coupling with washers using the following procedure:

Differential case side

- a. Set tool on the differential case and lock gauging cylinder in place with set screw.



- b. Install gauging plunger into cylinder.
- c. Install pinion mate gears and side gear with thrust washer on differential case.
- d. Set tool and allow gauging plunger to rest on side gear thrust washer.
- e. Measure gap between plunger and cylinder. This measurement should give exact clearance between side gear and differential case with washers.

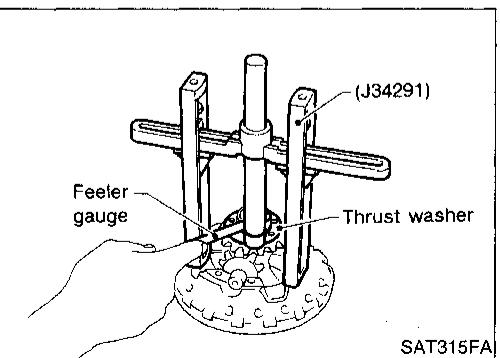
Standard clearance:

0.1 - 0.2 mm (0.004 - 0.008 in)

- f. If not within specification adjust clearance by changing thickness of side gear thrust washer.

Side gear thrust washers for differential case side:

Refer to SDS, AT-242.

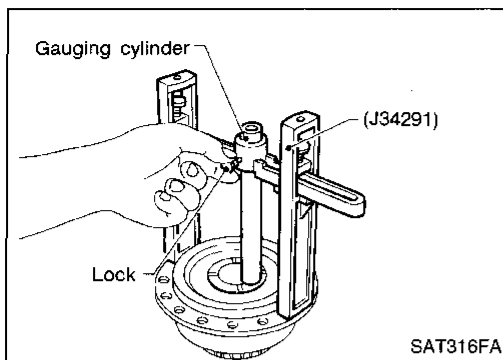


REPAIR FOR COMPONENT PARTS

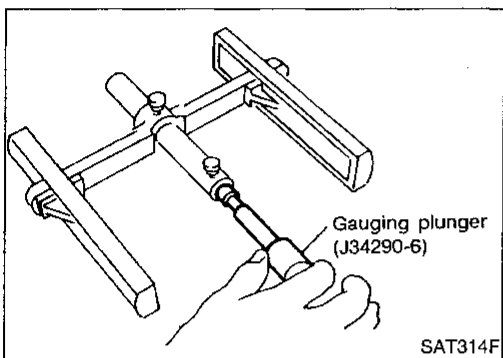
Final Drive — RE4F04V (Cont'd)

Viscous coupling side

- a. Set tool on viscous coupling and lock gauging cylinder in place with set screw.



- b. Install gauging plunger into cylinder.



- c. Install pinion mate gears and side gears with original washers on differential cases.

- **Align paint marks.**

- d. Tighten differential case bolts.
- e. Set tool and allow plunger to rest on side gear thrust washer.
- f. Measure gap between plunger and cylinder. This measurement should give exact clearance between side gear and differential case with washers.

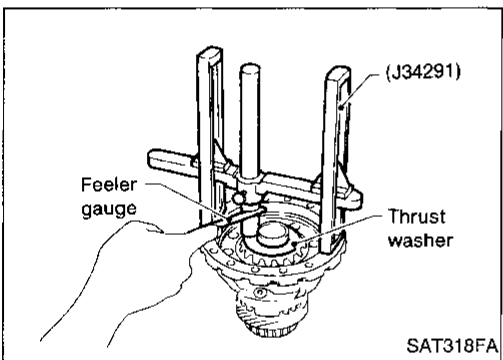
Standard clearance:

0.1 - 0.2 mm (0.004 - 0.008 in)

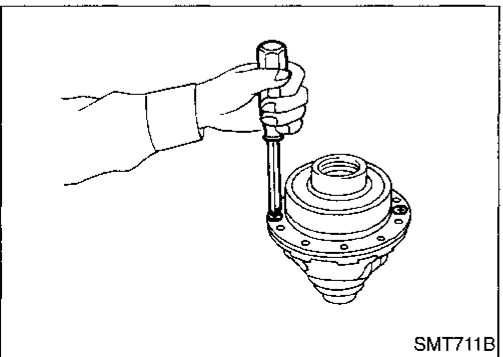
- g. If not within specification, adjust clearance by changing thickness of side gear thrust washer.

Side gear thrust washers for viscous coupling side:

Refer to SDS, AT-242.

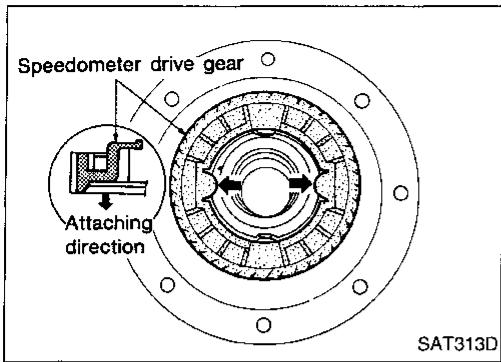


2. Install viscous coupling.

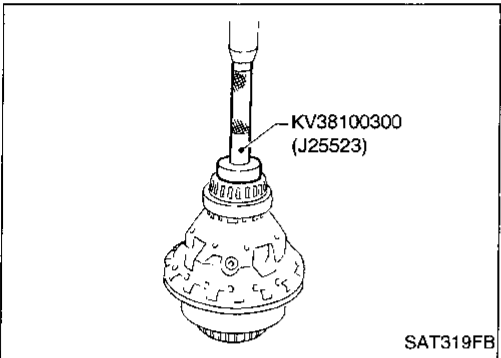


REPAIR FOR COMPONENT PARTS

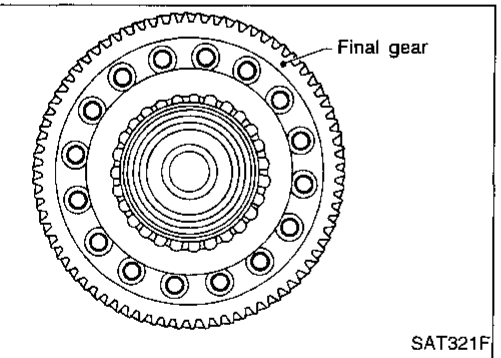
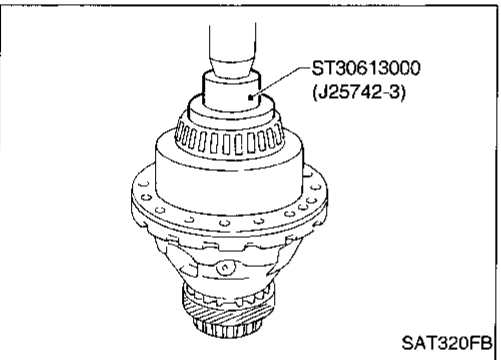
Final Drive — RE4F04V (Cont'd)



3. Install speedometer drive gear on differential case.
 - **Align the projection of speedometer drive gear with the groove of differential case.**



4. Press differential side bearings on differential case.



5. Install final gear and tighten fixing bolts in a crisscross pattern.

GI

MA

EM

LC

EC

FE

CL

MT

AT

FA

RA

BR

ST

RS

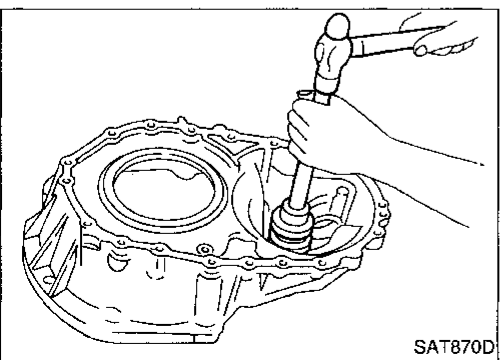
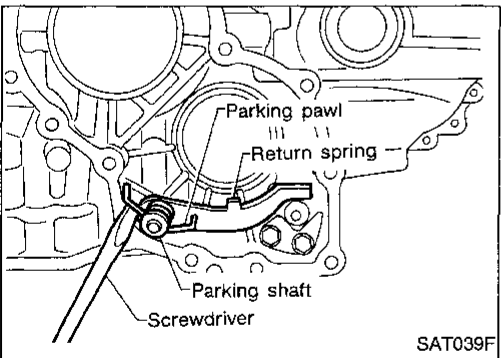
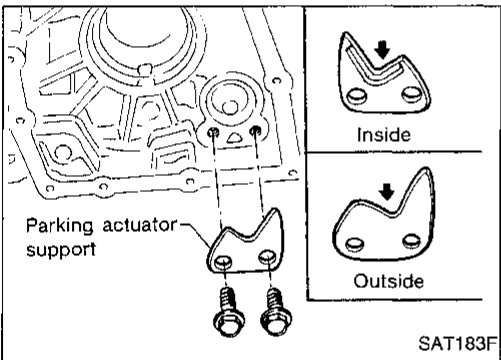
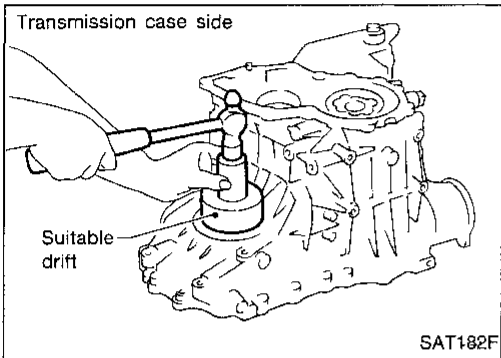
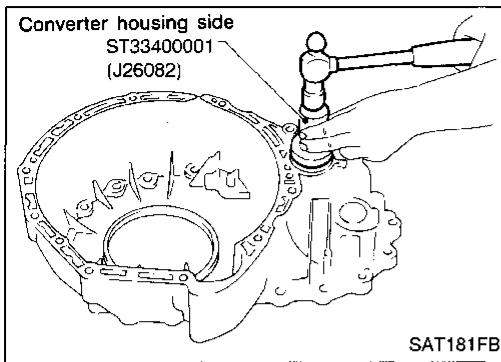
BT

HA

EL

IDX

ASSEMBLY



Assembly 1

1. Install differential side oil seals on transmission case and converter housing.

2. Install parking actuator support to transmission case.
 - Pay attention to direction of parking actuator support.

3. Install parking pawl on transmission case and fix it with parking shaft.
4. Install return spring.

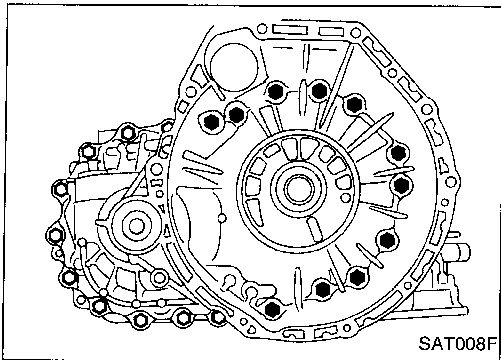
Adjustment 1

DIFFERENTIAL SIDE BEARING PRELOAD

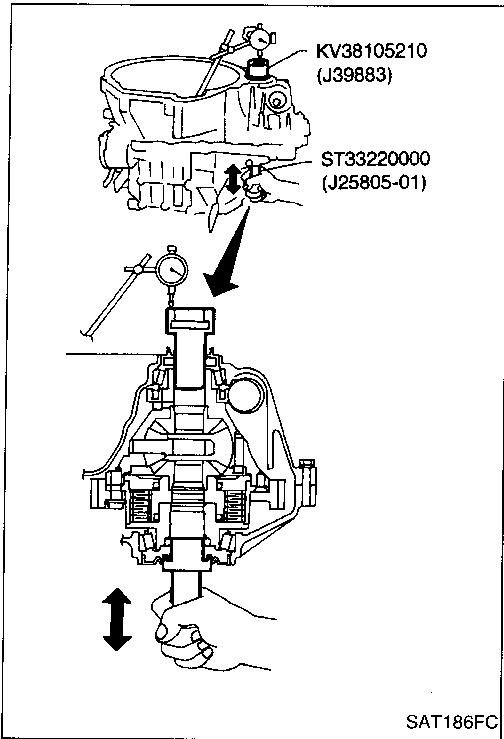
1. Install differential side bearing outer race without adjusting shim on transmission case.
2. Install differential side bearing outer race on converter housing.

ASSEMBLY

Adjustment 1 (Cont'd)



3. Place final drive assembly on transmission case.
4. Install transmission case on converter housing. Tighten transmission case fixing bolts to the specified torque.



5. Set Tool on differential case at converter housing side and attach dial indicator on Tool.
6. Insert the other Tool viscous coupling from transmission case side.
7. Move Tool up and down and measure dial indicator deflection.
8. Select proper thickness of differential side bearing adjusting shim(s).

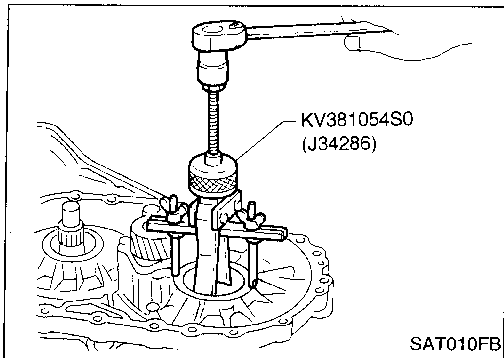
Suitable shim thickness = Dial indicator deflection + Specified bearing preload

Differential side bearing adjusting shim:

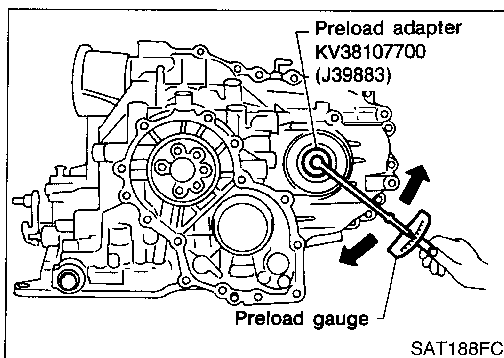
Refer to SDS, AT-242.

Bearing preload:

0.05 - 0.09 mm (0.0020 - 0.0035 in)



9. Remove converter housing from transmission case.
10. Remove final drive assembly from transmission case.
11. Remove differential side bearing outer race from transmission case.
12. Reinstall differential side bearing outer race and shim(s) selected from SDS table on transmission case.
13. Reinstall converter housing on transmission case and tighten transmission case fixing bolts to the specified torque.



14. Insert Tool into viscous coupling and measure turning torque of final drive assembly.

- **When measuring turning torque, turn final drive assembly in both directions several times to seat bearing rollers correctly.**

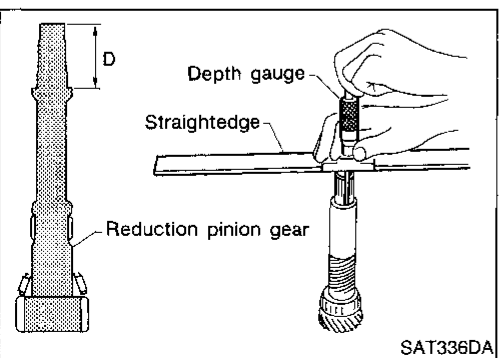
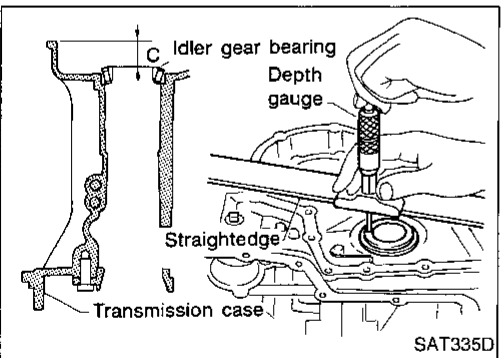
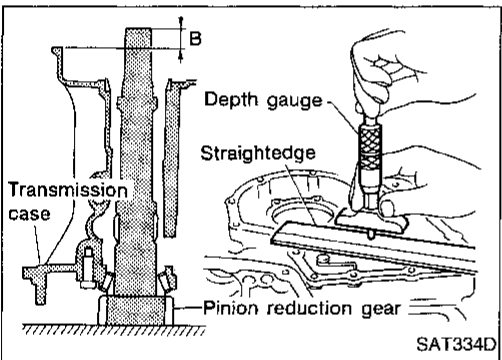
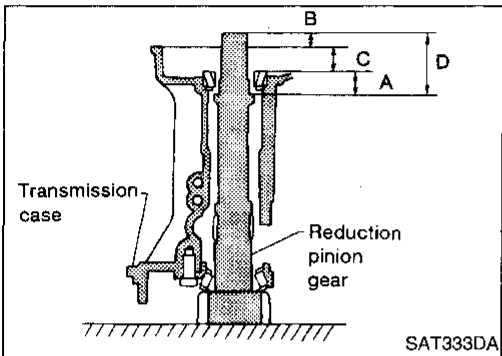
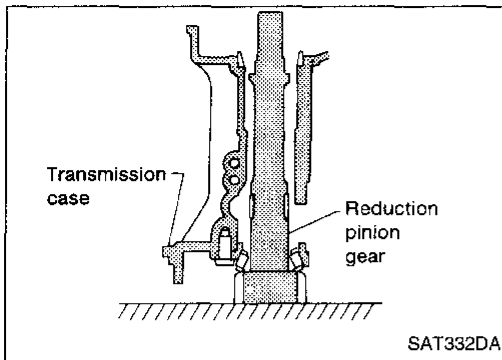
Turning torque of final drive assembly (New bearing):
0.78 - 1.37 N·m (8.0 - 14.0 kg·cm, 6.9 - 12.2 in·lb)

- **When old bearing is used again, turning torque will be slightly less than the above.**
- **Make sure torque is close to the specified range.**

ASSEMBLY

Adjustment 1 (Cont'd)

REDUCTION PINION GEAR BEARING PRELOAD



1. Remove transmission case and final drive assembly from converter housing.
2. Select proper thickness of reduction pinion gear bearing adjusting shim using the following procedures.
 - a. Place reduction pinion gear on transmission case as shown.

- b. Place idler gear bearing on transmission case.
- c. Measure dimensions "B" "C" and "D" and calculate dimension "A".

$$A = D - (B + C)$$

"A": Distance between the surface of idler gear bearing inner race and the adjusting shim mating surface of reduction pinion gear.

- Measure dimension "B" between the end of reduction pinion gear and the surface of transmission case.
- **Measure dimension "B" in at least two places.**

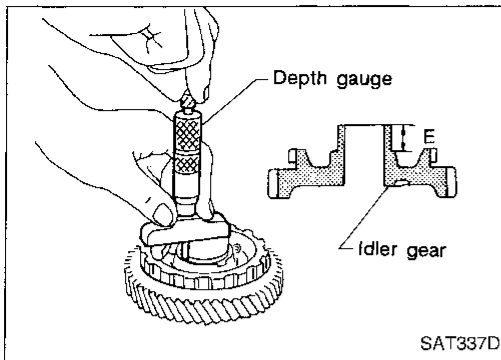
- Measure dimension "C" between the surface of idler gear bearing inner race and the surface of transmission case.
- **Measure dimension "C" in at least two places.**

- Measure dimension "D" between the end of reduction pinion gear and the adjusting shim mating surface of reduction pinion gear.
- **Measure dimension "D" in at least two places.**
- Calculate dimension "A".

$$A = D - (B + C)$$

ASSEMBLY

Adjustment 1 (Cont'd)



- d. Measure dimension "E" between the end of idler gear and the idler gear bearing inner race mating surface of idler gear.
- Measure dimension "E" in at least two places.

GI

MA

EM

- e. Select proper thickness of reduction pinion gear bearing adjusting shim.

LC

Proper shim thickness = A - E - 0.5 mm (0.0020 in)*

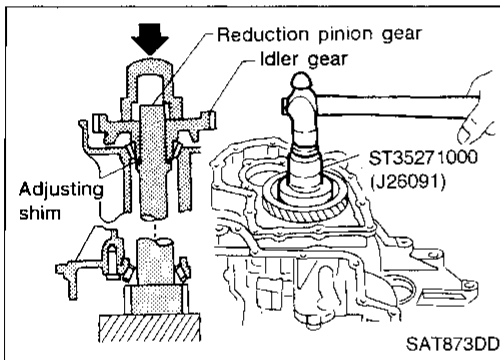
(* ... Bearing preload)

**Reduction pinion gear bearing adjusting shim:
Refer to SDS, AT-243.**

EC

FE

CL



3. Install reduction pinion gear and reduction pinion gear bearing adjusting shim selected in step 2-e on transmission case.

WT

4. Press idler gear bearing inner race on idler gear.

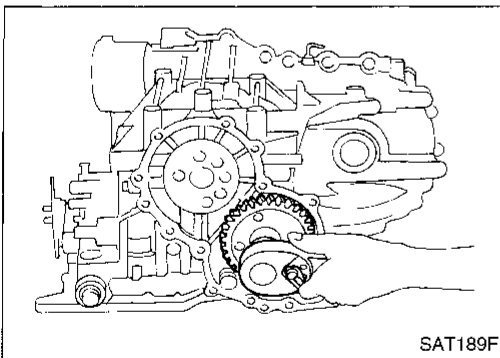
5. Press idler gear on reduction pinion gear.

- Press idler gear until idler gear fully contacts adjusting shim.

AT

FA

RA



6. Tighten idler gear lock nut to the specified torque.

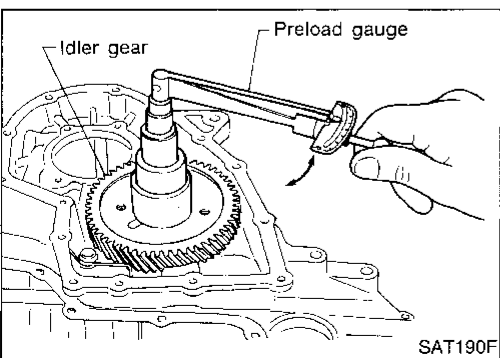
BR

- Lock idler gear with parking pawl when tightening lock nut.

ST

RS

BT



7. Measure turning torque of reduction pinion gear.

HA

- When measuring turning torque, turn reduction pinion gear in both directions several times to seat bearing rollers correctly.

EL

Turning torque of reduction pinion gear:

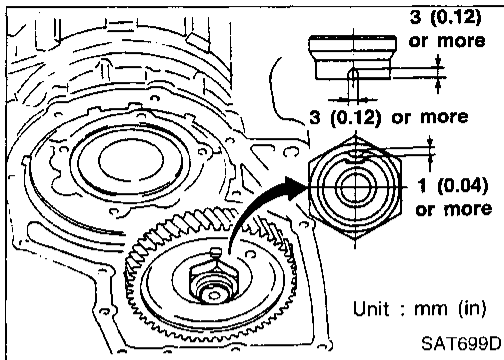
0.05 - 0.39 N·m (0.5 - 4.0 kg·cm, 0.43 - 3.47 in·lb)

- If turning torque is out of specification, decrease or increase thickness of reduction pinion gear bearing adjusting shim.

IDX

ASSEMBLY

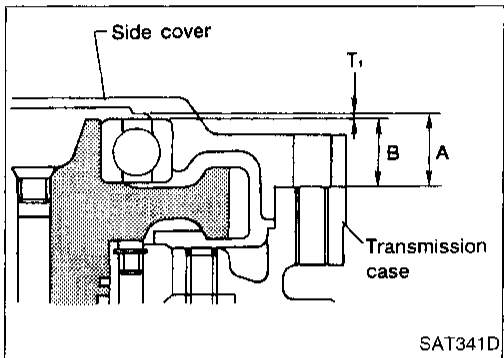
Adjustment 1 (Cont'd)



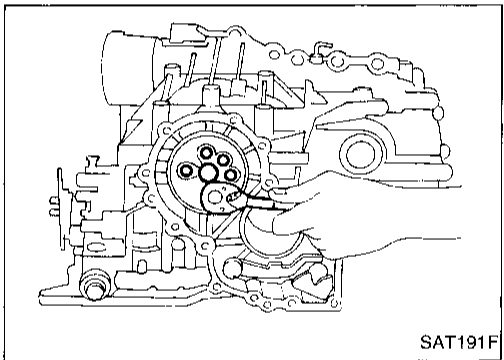
8. After properly adjusting turning torque, clinch idler gear lock nut as shown.

OUTPUT SHAFT END PLAY

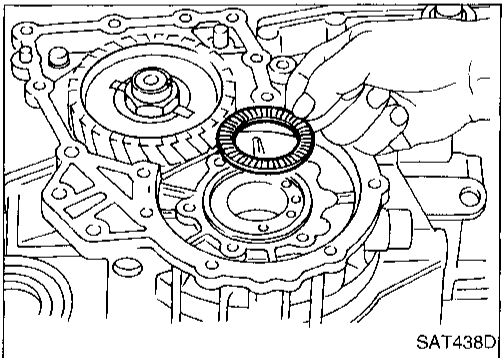
- Measure clearance between side cover and the end of the output shaft bearing.
- Select proper thickness of adjusting shim so that clearance is within specifications.



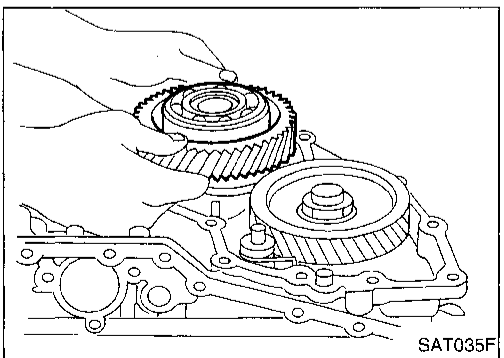
1. Install bearing retainer for output shaft.



2. Install output shaft thrust needle bearing on bearing retainer.

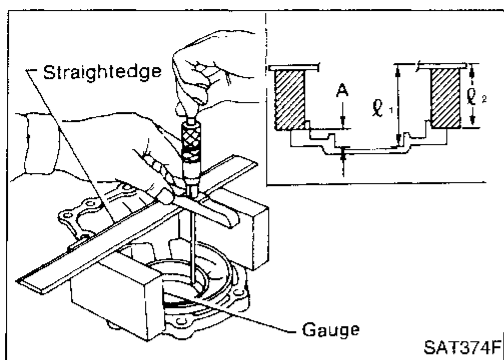


3. Install output shaft on transmission case.



ASSEMBLY

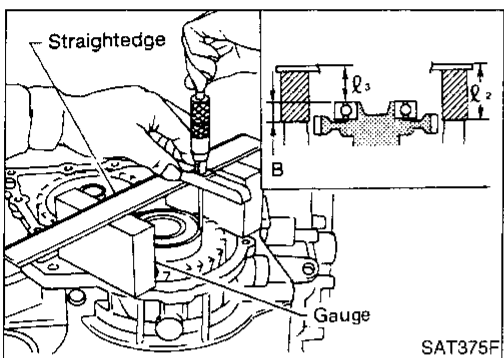
Adjustment 1 (Cont'd)



4. Measure dimensions " l_1 " and " l_2 " at side cover and then calculate dimension "A".

- Measure dimension " l_1 " and " l_2 " in at least two places.
 "A": Distance between transmission case fitting surface and adjusting shim mating surface.

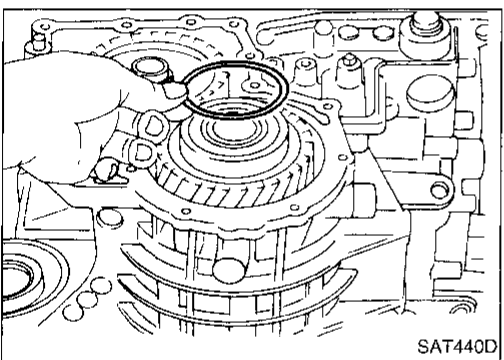
$$A = l_1 - l_2 \quad l_2: \text{Height of gauge}$$



5. Measure dimensions " l_2 " and " l_3 " and then calculate dimension "B".

- Measure " l_2 " and " l_3 " in at least two places.
 "B": Distance between the end of output shaft bearing outer race and the side cover fitting surface of transmission case.

$$B = l_2 - l_3 \quad l_2: \text{Height of gauge}$$

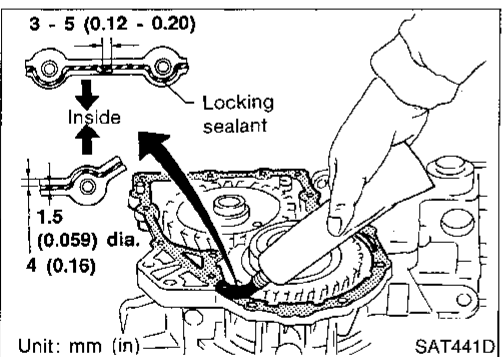


6. Select proper thickness of adjusting shim so that output shaft end play (clearance between side cover and output shaft bearing) is within specifications.

Output shaft end play (A - B):
 0 - 0.15 mm (0 - 0.0059 in)

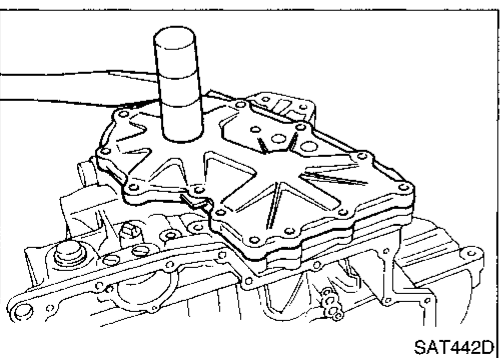
Output shaft end play adjusting shim:
 Refer to SDS, AT-245.

7. Install adjusting shim on output shaft bearing.



Assembly 2

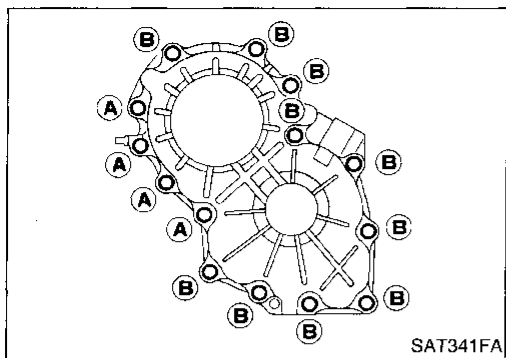
1. Apply locking sealant to transmission case as shown in illustration.



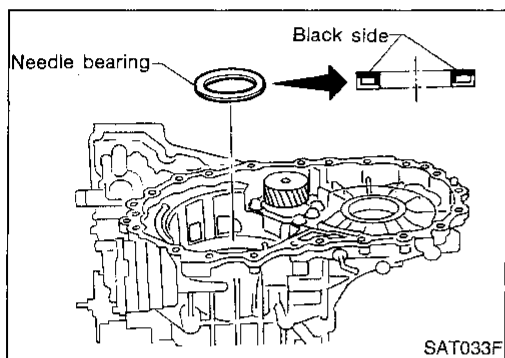
2. Set side cover on transmission case.
 - Apply locking sealant to the mating surface of transmission case.

ASSEMBLY

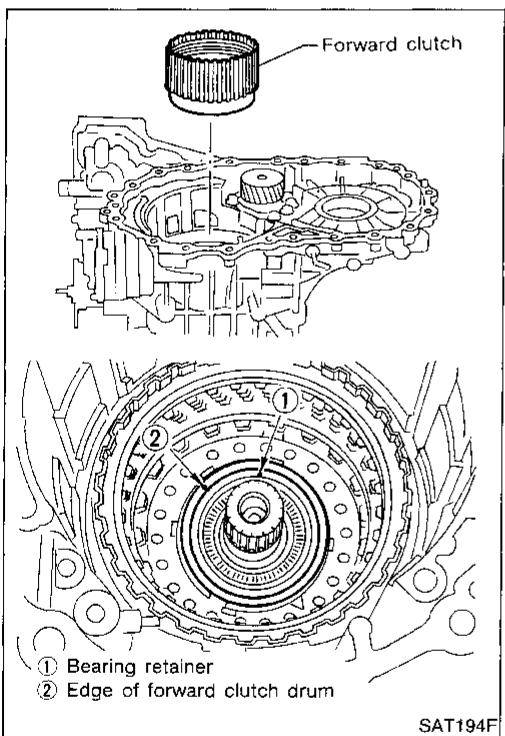
Assembly 2 (Cont'd)



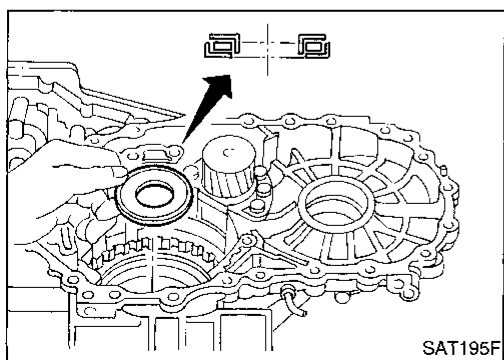
3. Tighten side cover fixing bolts to specified torque.
 - Do not mix bolts (A) and (B).
 - Always replace bolts (A) as they are self-sealing bolts.



4. Remove paper rolled around bearing retainer.
5. Install thrust washer on bearing retainer.
 - Apply petroleum jelly to thrust washer.



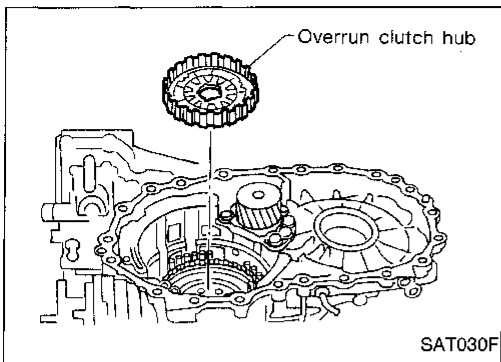
6. Install forward clutch assembly.
 - Align teeth of low & reverse brake drive plates before installing.
 - Make sure that bearing retainer seal rings are not spread.
 - If forward clutch assembly is correctly seated, points ① and ② are at almost same level.



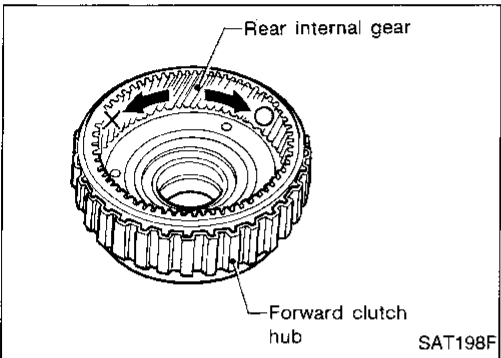
7. Install thrust needle bearing on bearing retainer.
 - Apply petroleum jelly to thrust needle bearing.
 - Pay attention to direction of thrust needle bearing.

ASSEMBLY

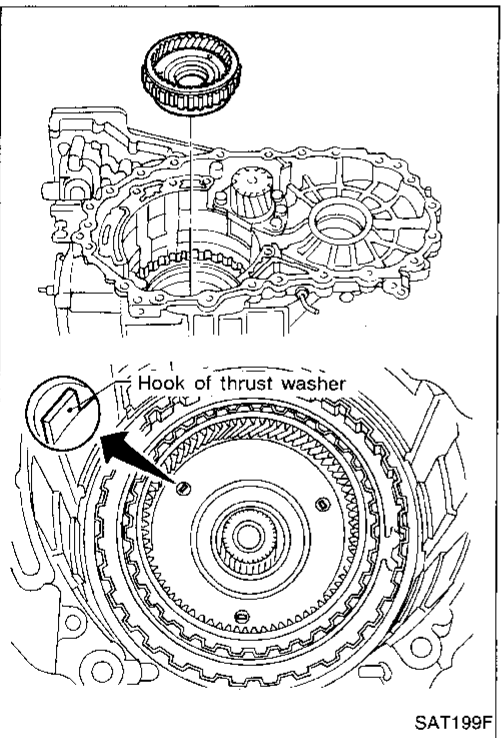
Assembly 2 (Cont'd)



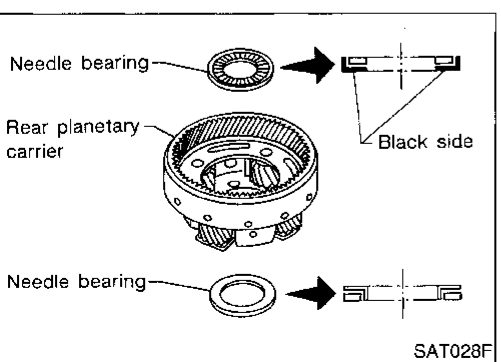
8. Install overrun clutch hub.
 - **Apply petroleum jelly to thrust washers.**
 - **Align teeth of overrun clutch drive plates before installing.**



9. Hold forward clutch hub and turn rear internal gear. Check overrun clutch hub for correct directions of lock and unlock.
 - **If not shown as illustration, check installed direction of forward one-way clutch.**



10. Install forward clutch hub and rear internal gear assembly.
 - **Align teeth of forward clutch drive plates before installing.**
 - **Check three hooks of thrust washer are correctly aligned after installing.**



11. Install rear planetary carrier assembly and rear sun gear according to the following procedures.
 - a. Install needle bearings on rear planetary carrier.
 - **Apply petroleum jelly to needle bearings.**
 - **Pay attention to direction of needle bearings.**

GI

MA

EM

LC

EC

FE

CL

MT

AT

FA

RA

BR

ST

RS

BT

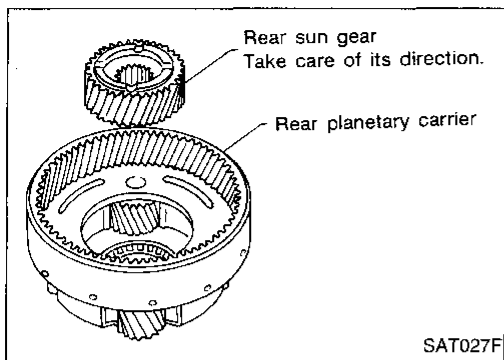
HA

EL

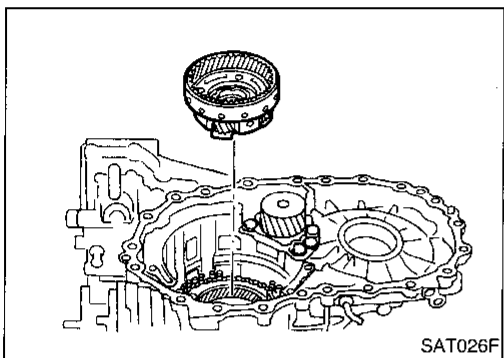
DX

ASSEMBLY

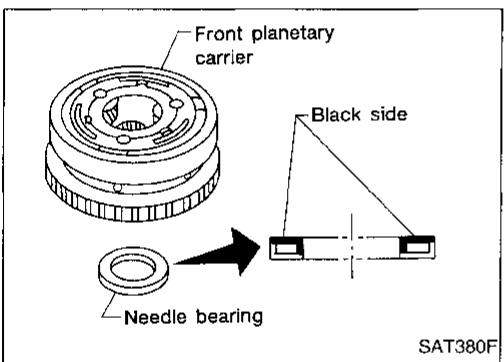
Assembly 2 (Cont'd)



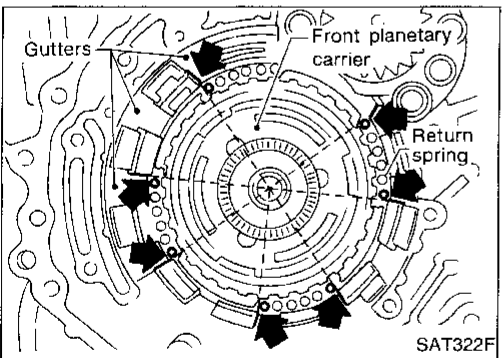
- b. Install rear sun gear on rear planetary carrier.
- **Pay attention to direction of rear sun gear.**



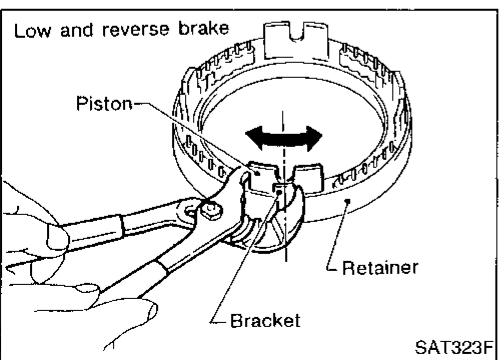
- c. Install rear planetary carrier on transmission case.



12. Install thrust needle bearing on front planetary carrier, then install them together on transmission case.
- **Apply petroleum jelly to thrust needle bearing.**
 - **Pay attention to direction of thrust needle bearing.**



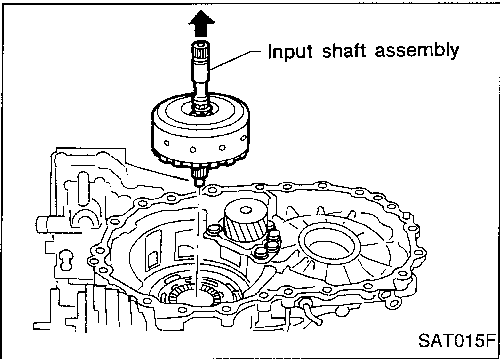
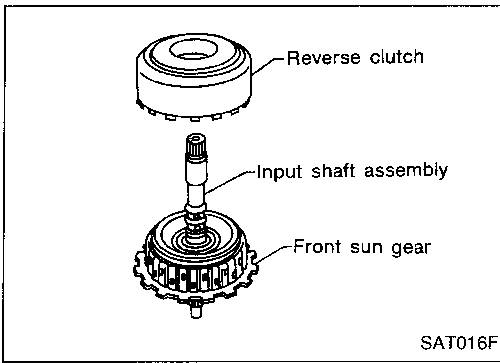
13. Install low and reverse brake piston according to the following procedures.
- a. Set and align return springs to transmission case gutters as shown in illustration.



- b. Set and align piston with retainer.

ASSEMBLY

Assembly 2 (Cont'd)



20. Remove paper rolled around input shaft.

21. Install input shaft assembly in reverse clutch.

- **Align teeth of reverse clutch drive plates before installing.**

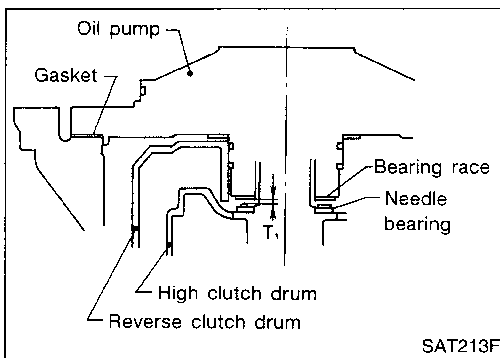
22. Install reverse clutch assembly on transmission case.

- **Align teeth of high clutch drive plates before installing.**

Adjustment 2

- When any parts listed in the following table are replaced, total end play or reverse clutch end play must be adjusted.

Part name	Total end play	Reverse clutch end play
Transmission case	•	•
Overrun clutch hub	•	•
Rear internal gear	•	•
Rear planetary carrier	•	•
Rear sun gear	•	•
Front planetary carrier	•	•
Front sun gear	•	•
High clutch hub	•	•
High clutch drum	•	•
Oil pump cover	•	•
Reverse clutch drum	—	•

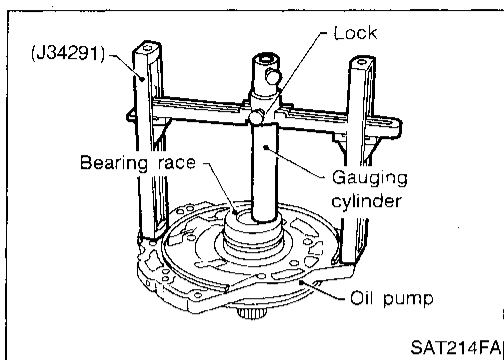


TOTAL END PLAY

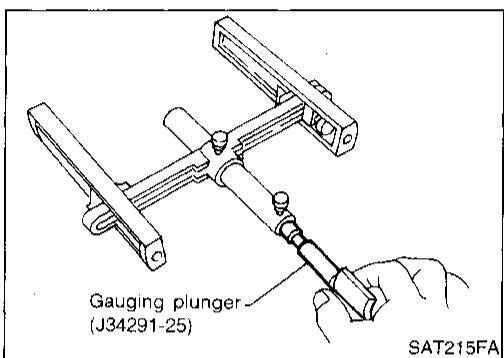
1. Adjust total end play "T₁".

ASSEMBLY

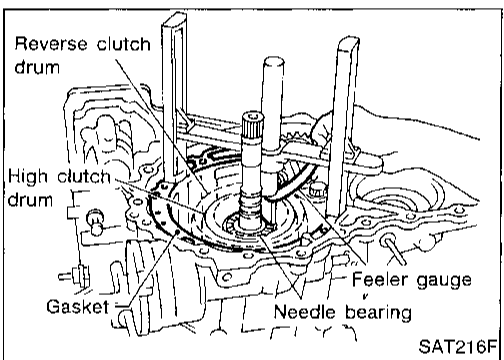
Adjustment 2 (Cont'd)



- a. With original bearing race installed, place Tool onto oil pump. The long ends of legs should be placed firmly on machined surface of oil pump assembly. The gauging cylinder should rest on top of bearing race. Lock gauging cylinder in place with set screw.



- b. Install gauging plunger into cylinder.



- c. With needle bearing installed on high clutch drum, place Tool legs on machined surface of transmission case (with gasket). Then allow plunger to rest on needle bearing.
 d. Measure gap between cylinder and plunger. This measurement should give exact total end play.

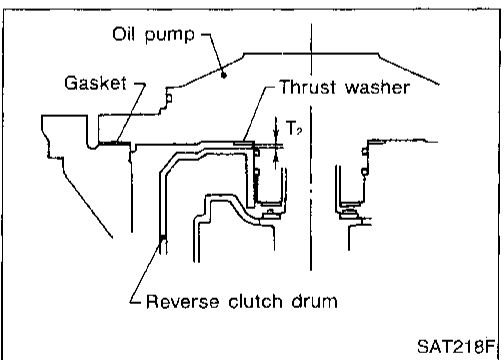
Total end play "T₁":

0.25 - 0.55 mm (0.0098 - 0.0217 in)

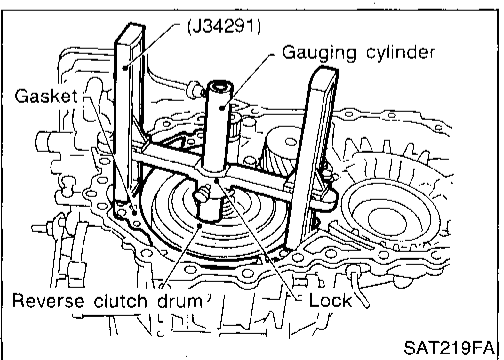
- If end play is out of specification, decrease or increase thickness of bearing race as necessary.

Available bearing race:

Refer to SDS, AT-245.



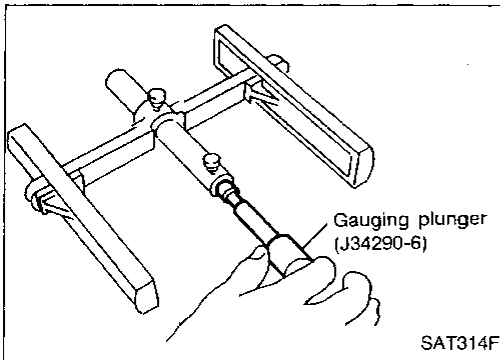
2. Adjust reverse clutch drum end play "T₂".



- a. Place Tool on machined surface of transmission case (with gasket). Then allow gauging cylinder to rest on reverse clutch drum. Lock cylinder in place with set screw.

ASSEMBLY

Adjustment 2 (Cont'd)



- b. Install gauging plunger into cylinder.
- c. With original thrust washer installed on oil pump, place Tool legs onto machined surface of oil pump assembly. Then allow plunger to rest on thrust washer.
- d. Measure gap between cylinder and plunger with feeler gauge. This measurement should give exact reverse clutch drum end play.

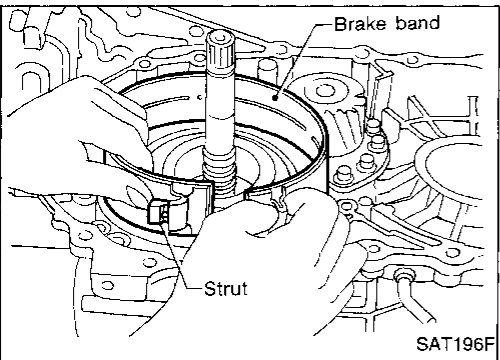
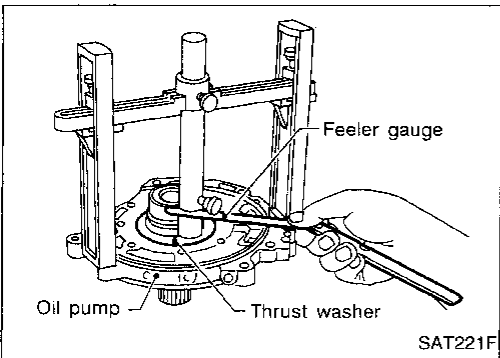
Reverse clutch drum end play "T₂":

0.55 - 0.90 mm (0.0217 - 0.0354 in)

- If end play is out of specification, decrease or increase thickness of thrust washer as necessary.

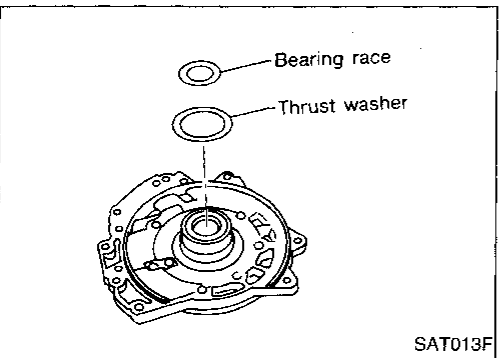
Available thrust washer:

Refer to SDS, AT-244.

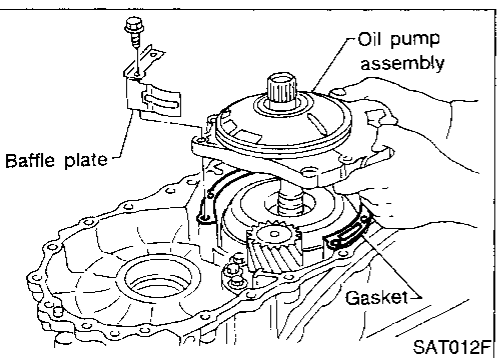


Assembly 3

1. Install anchor end pin and lock nut on transmission case.
2. Place brake band and strut on periphery of reverse clutch drum. Then, tighten anchor end pin just enough so that brake band is fitted on periphery of reverse clutch drum uniformly.



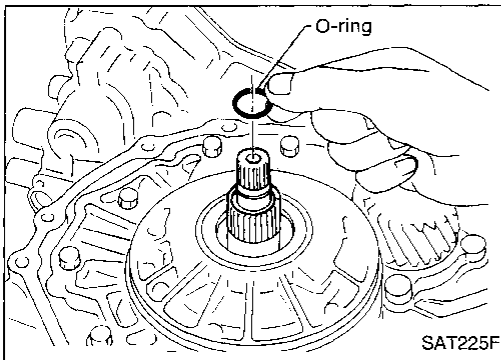
3. Place bearing race selected in total end play adjustment step on oil pump cover.
 - **Apply petroleum jelly to bearing race.**
4. Place thrust washer selected in reverse clutch end play step on reverse clutch drum.
 - **Apply petroleum jelly to thrust washer.**



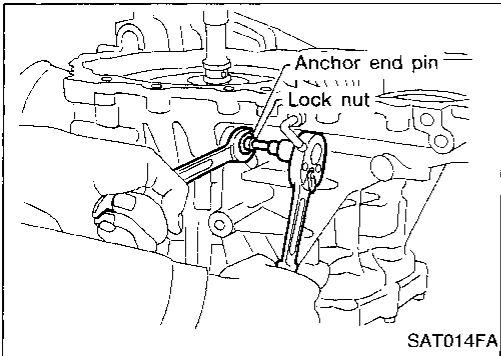
5. Install oil pump assembly, baffle plate and gasket on transmission case.
6. Tighten oil pump fixing bolts to the specified torque.

ASSEMBLY

Assembly 3 (Cont'd)

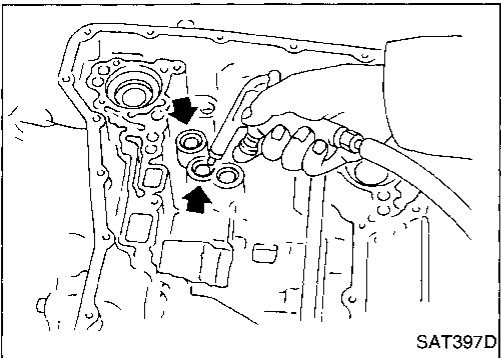


7. Install O-ring to input shaft.
 - Apply ATF to O-ring.

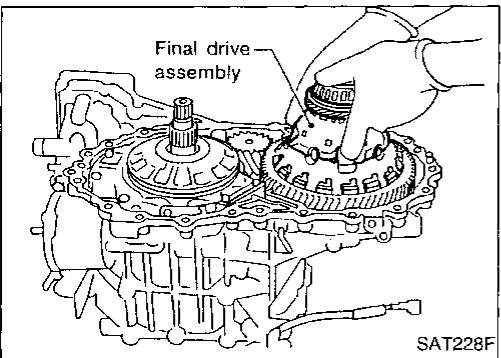


8. Adjust brake band.
 - a. Tighten anchor end pin to the specified torque.

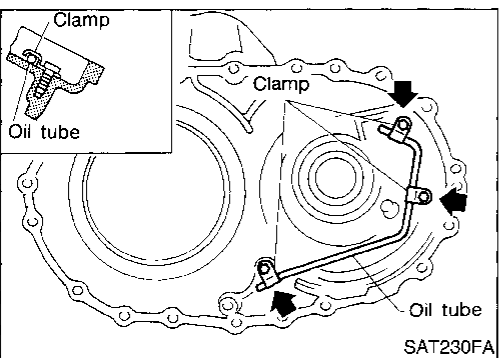
Anchor end pin:
☞ : 3.9 - 5.9 N·m (0.4 - 0.6 kg-m, 35 - 52 in-lb)
 - b. Back off anchor end pin two and a half turns.
 - c. While holding anchor end pin, tighten lock nut.



9. Apply compressed air to oil holes of transmission case and check operation of brake band.



10. Install final drive assembly on transmission case.

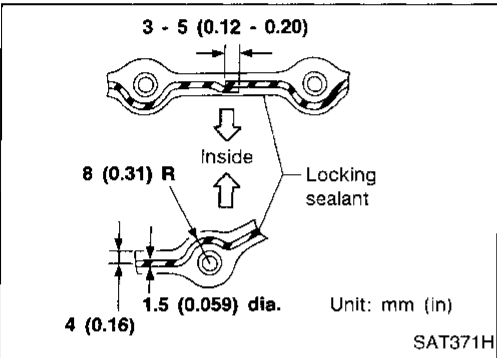
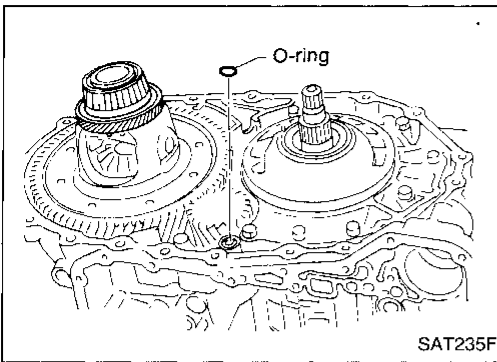


11. Install oil tube on converter housing.

ASSEMBLY

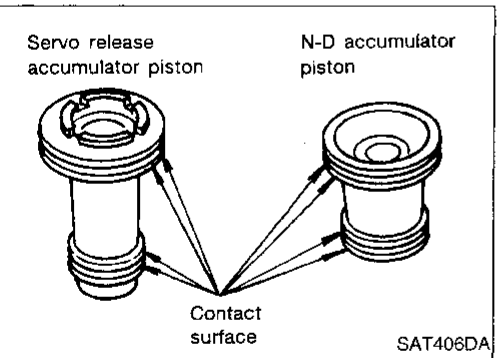
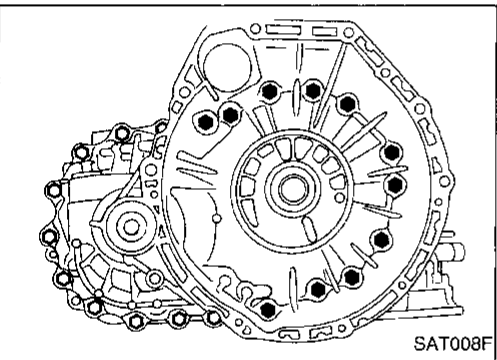
Assembly 3 (Cont'd)

12. Install O-ring on differential oil port of transmission case.



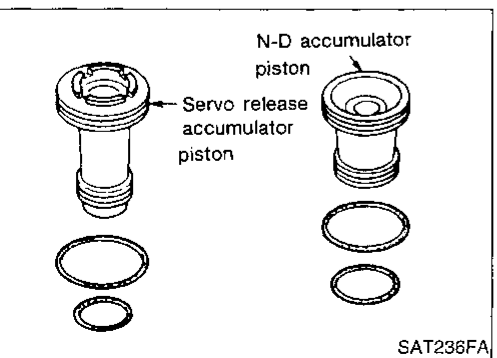
13. Install converter housing on transmission case.

- Apply locking sealant to mating surface of converter housing.



14. Install accumulator piston.

- a. Check contact surface of accumulator piston for damage.



- b. Install O-rings on accumulator piston.

- Apply ATF to O-rings.
Accumulator piston O-rings:
Refer to SDS, AT-244.

GI

MA

EM

LC

EC

FE

CL

MT

AT

FA

RA

BR

ST

RS

BT

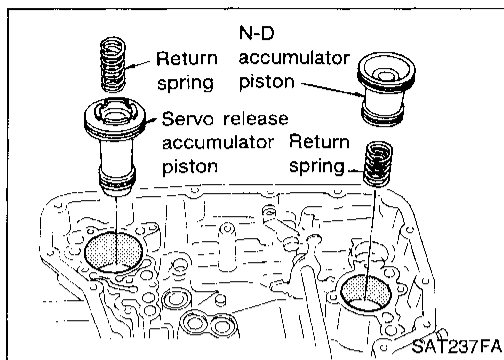
HA

EL

IDX

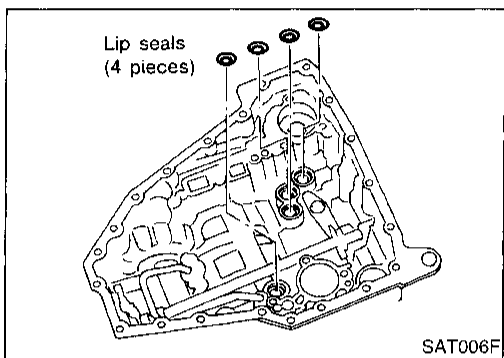
ASSEMBLY

Assembly 3 (Cont'd)



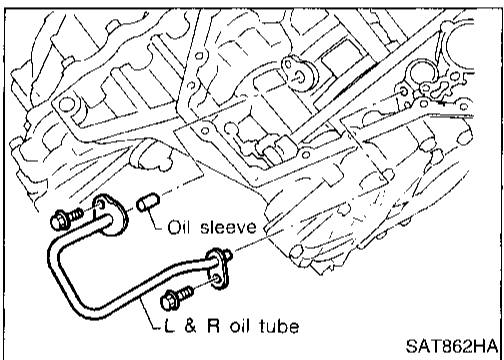
c. Install accumulator pistons and return springs on transmission case.

- **Apply ATF to inner surface of transmission case.**
Return springs:
Refer to SDS, AT-244.

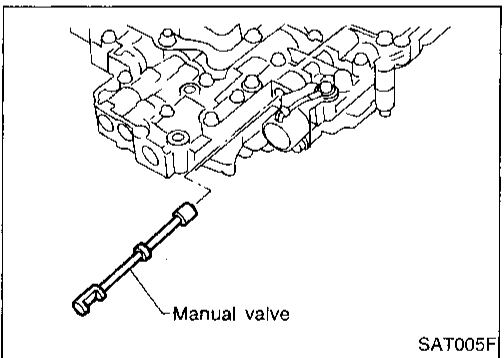


15. Install lip seals for band servo oil holes on transmission case.

- **Apply petroleum jelly to lip seals.**



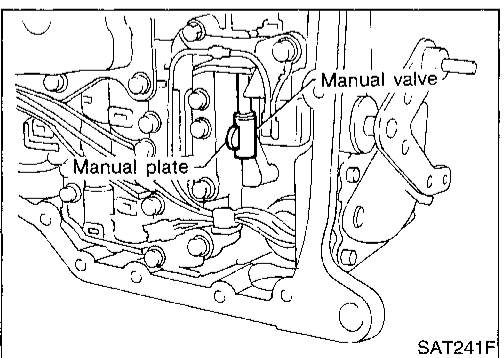
16. Install L & R oil tube and oil sleeve.



17. Install control valve assembly.

a. Insert manual valve into control valve assembly.

- **Apply ATF to manual valve.**

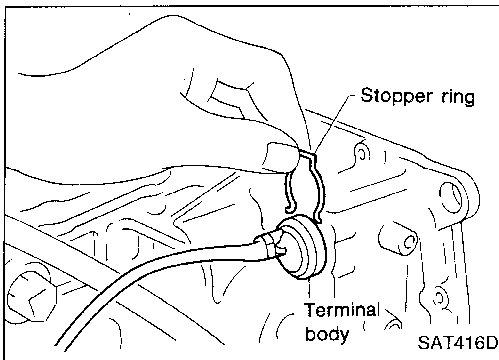


b. Set manual shaft in Neutral position.

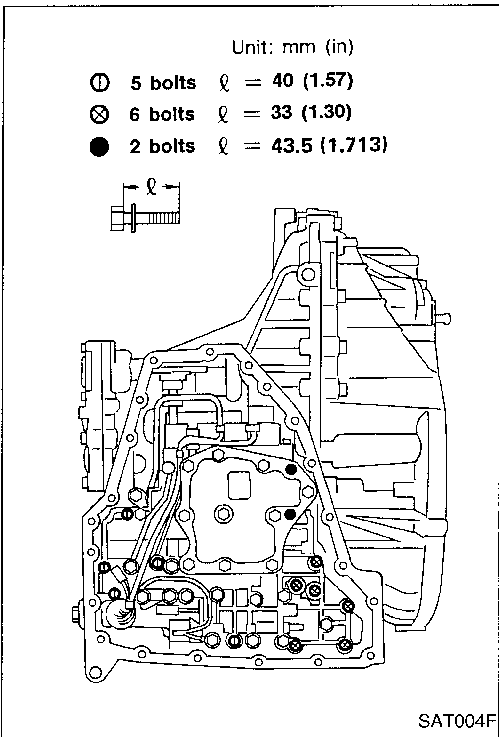
c. Install control valve assembly on transmission case while aligning manual valve with manual plate.

ASSEMBLY

Assembly 3 (Cont'd)



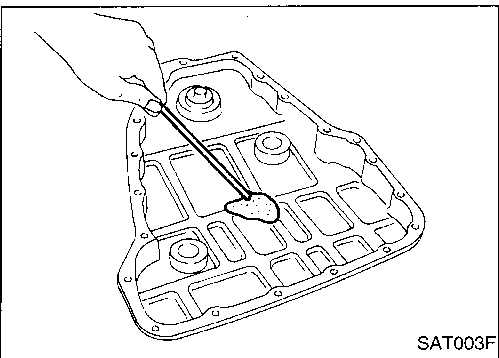
- d. Pass solenoid harness through transmission case and install terminal body on transmission case by pushing it.
- e. Install stopper ring to terminal body.



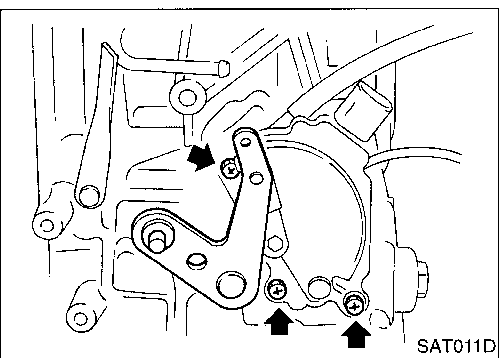
- f. Tighten bolts ①, ⊗ and ●.

Bolt length, number and location:

Bolt	①	⊗	●
Bolt length "ℓ" mm (in)	40.0 (1.575)	33.0 (1.299)	43.5 (1.713)
Number of bolts	5	6	2



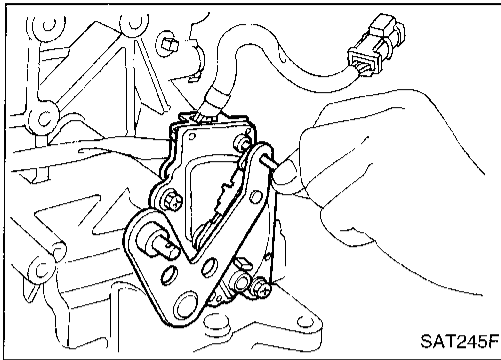
18. Install oil pan.
 - a. Attach a magnet to oil pan.
 - b. Install new oil pan gasket on transmission case.
 - c. Install oil pan on transmission case.
 - **Always replace oil pan bolts as they are self-sealing bolts.**
 - **Tighten four bolts in a criss-cross pattern to prevent dislocation of gasket.**
 - d. Tighten drain plug to the specified torque.



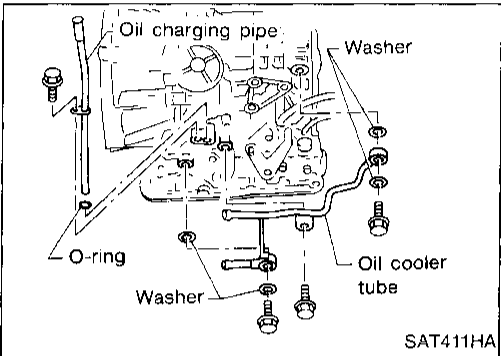
19. Install inhibitor switch.
 - a. Set manual shaft in "P" position.
 - b. Temporarily install inhibitor switch on manual shaft.
 - c. Move selector lever to "N" position.

ASSEMBLY

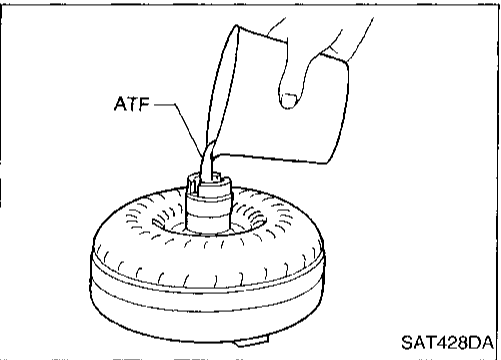
Assembly 3 (Cont'd)



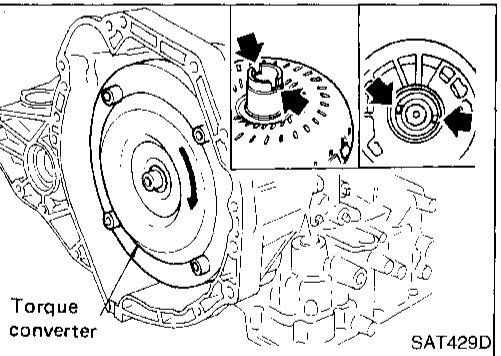
- d. Insert 4.0 mm (0.157 in) dia. pin into adjustment hole in both inhibitor switch and manual shaft as near vertically as possible.
- e. Tighten inhibitor switch fixing bolts.
- f. Remove pin from adjustment hole after adjusting inhibitor switch.



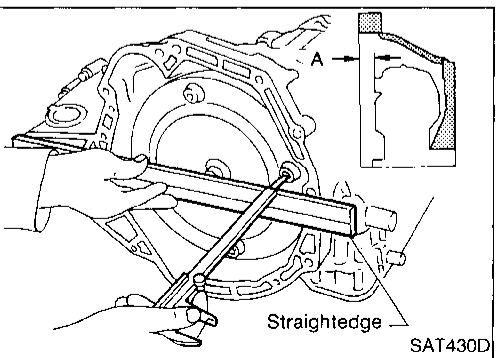
20. Install oil charging pipe and oil cooler tube to transmission case.



21. Install torque converter.
 - a. Pour ATF into torque converter.
 - **Approximately 1 liters (1-1/8 US qt, 7/8 Imp qt) of fluid are required for a new torque converter.**
 - **When reusing old torque converter, add the same amount of fluid as was drained.**



- b. Install torque converter while aligning notches of torque converter with notches of oil pump.



- c. Measure distance "A" to check that torque converter is in proper position.
Distance "A": 14 mm (0.55 in) or more.

SERVICE DATA AND SPECIFICATIONS (SDS)

General Specifications

Engine	VQ30DE	
Automatic transaxle model	RE4F04A	RE4F04V
Automatic transaxle assembly		
Model code number	80X17	80X18
Transaxle gear ratio		
1st	2.785	
2nd	1.545	
3rd	1.000	
4th	0.694	
Reverse	2.272	
Final drive	3.619	
Recommended oil	Nissan Matic "D" (Continental U.S. and Alaska) or Genuine Nissan Automatic Transmission Fluid (Canada)*1	
Oil capacity	ℓ (US qt, Imp qt) 9.4 (10, 8-1/4)	

*1: Refer to MA section ("Fluids and Lubricants", "RECOMMENDED FLUIDS AND LUBRICANTS").

Specifications and Adjustments

VEHICLE SPEED WHEN SHIFTING GEARS

Throttle position	Shift pattern	Vehicle speed km/h (MPH)						
		D ₁ → D ₂	D ₂ → D ₃	D ₃ → D ₄	D ₄ → D ₃	D ₃ → D ₂	D ₂ → D ₁	1 ₂ → 1 ₁
Full throttle	Comfort	61 - 69 (38 - 43)	113 - 121 (70 - 75)	177 - 185 (110 - 115)	173 - 181 (108 - 112)	103 - 111 (64 - 69)	54 - 62 (34 - 39)	61 - 69 (38 - 43)
	Auto power	61 - 69 (38 - 43)	113 - 121 (70 - 75)	177 - 185 (110 - 115)	173 - 181 (108 - 112)	103 - 111 (64 - 69)	54 - 62 (34 - 39)	61 - 69 (38 - 43)
Half throttle	Comfort	39 - 47 (24 - 29)	73 - 81 (45 - 50)	113 - 121 (70 - 75)	79 - 87 (49 - 54)	36 - 44 (22 - 27)	5 - 13 (3 - 8)	61 - 69 (38 - 43)
	Auto power	46 - 54 (29 - 34)	85 - 93 (53 - 58)	134 - 142 (83 - 88)	85 - 93 (53 - 58)	51 - 59 (32 - 37)	5 - 13 (3 - 8)	61 - 69 (38 - 43)

VEHICLE SPEED WHEN PERFORMING LOCK-UP (Reference value)

Model code No.	80X17	80X18
Vehicle speed	km/h (MPH)	Throttle position 1/8
		49 - 65 (30 - 40)

- Note:
- Lock-up vehicle speed indicates the speed in D₄ position.
 - Make sure that lock-up is released under the following conditions:
 - Throttle opening 0/8
 - Vehicle speed is less than 120 km/h (75 MPH).
 - Perform lock-up inspection after warming up engine.
 - Lock-up vehicle speed may vary depending on the driving conditions and circumstances.

STALL REVOLUTION

Engine	Stall revolution rpm
VQ30DE	2,000 - 2,300

LINE PRESSURE

Engine speed rpm	Line pressure kPa (kg/cm ² , psi)	
	D, 2 and 1 positions	R position
Idle	500 (5.1, 73)	853 (8.7, 124)
Stall	1,098 (11.2, 159)	1,863 (19.0, 270)

SERVICE DATA AND SPECIFICATIONS (SDS)

Specifications and Adjustments (Cont'd)

CONTROL VALVES

Control valve and plug return springs

Unit: mm (in)

	Parts		Item		
			Part No.	Free length	Outer diameter
Upper body	⑱	Pilot valve spring	31742-80X14	36.0 (1.417)	8.1 (0.319)
	⑧	1-2 accumulator valve spring	31742-80X10	20.5 (0.807)	7.0 (0.276)
	㉑	1-2 accumulator piston spring	31742-80X19	49.3 (1.941)	19.6 (0.772)
	㉕	1st reducing valve spring	31742-80X05	27.0 (1.063)	7.0 (0.276)
	⑯	Overrun clutch reducing valve spring	31742-80X15	37.5 (1.476)	6.9 (0.272)
	⑪	Torque converter relief valve spring	31742-80X07	31.0 (1.220)	9.0 (0.354)
	④	Torque converter clutch control valve	31742-80X17	39.5 (1.555)	11.0 (0.433)
Lower body	⑰	Pressure regulator valve spring	31742-80X13	45.0 (1.772)	15.0 (0.591)
	㉒	Overrun clutch control valve spring	31762-80X00	21.7 (0.854)	7.0 (0.276)
	㉖	Accumulator control valve spring	31742-80X02	22.0 (0.866)	6.5 (0.256)
	⑳	Shift valve A spring	31762-80X00	21.7 (0.854)	7.0 (0.276)
	⑫	Shift valve B spring	31762-80X00	21.7 (0.854)	7.0 (0.276)
	③	Pressure modifier valve spring	31742-41X15	30.5 (1.201)	9.8 (0.386)
	⑦		31742-80X16	32.0 (1.260)	6.9 (0.272)
		⑭	Plug spring	31742-80X11	17.0 (0.669)
Oil cooler relief valve spring			31872-31X00	17.02 (0.6701)	8.0 (0.315)

SERVICE DATA AND SPECIFICATIONS (SDS)

Specifications and Adjustments (Cont'd)

CLUTCHES AND BRAKES

Reverse clutch		
Number of drive plates	2	
Number of driven plates	2	
Drive plate thickness mm (in)		
Standard	1.6 (0.063)	
Allowable limit	1.4 (0.055)	
Clearance mm (in)		
Standard	0.5 - 0.8 (0.020 - 0.031)	
Allowable limit	1.2 (0.047)	
Thickness of retaining plates	Thickness mm (in)	Part number
	6.6 (0.260)	31537-80X05
	6.8 (0.268)	31537-80X06
	7.0 (0.276)	31537-80X07
	7.2 (0.283)	31537-80X08
	7.4 (0.291)	31537-80X09
	7.6 (0.299)	31537-80X20
	7.8 (0.307)	31537-80X21
High clutch		
Number of drive plates	4	
Number of driven plates	6 + 1	
Drive plate thickness mm (in)		
Standard	1.6 (0.063)	
Allowable limit	1.4 (0.055)	
Clearance mm (in)		
Standard	1.8 - 2.2 (0.071 - 0.087)	
Allowable limit	3.0 (0.118)	
Thickness of retaining plates	Thickness mm (in)	Part number
	3.0 (0.118)	31537-81X10
	3.2 (0.126)	31537-81X11
	3.4 (0.134)	31537-81X12
	3.6 (0.142)	31537-81X13
	3.8 (0.150)	31537-81X14
Forward clutch		
Number of drive plates	5	
Number of driven plates	5	
Drive plate thickness mm (in)		
Standard	1.6 (0.063)	
Allowable limit	1.4 (0.055)	
Clearance mm (in)		
Standard	0.45 - 0.85 (0.0177 - 0.0335)	
Allowable limit	1.85 (0.0728)	
Thickness of retaining plates	Thickness mm (in)	Part number
	3.6 (0.142)	31537-80X70
	3.8 (0.150)	31537-80X71
	4.0 (0.157)	31537-80X72
	4.2 (0.165)	31537-80X73
	4.4 (0.173)	31537-80X74
	3.4 (0.134)	31537-80X75
	3.2 (0.126)	31537-80X76

Overrun clutch		
Number of drive plates	3	
Number of driven plates	5	
Drive plate thickness mm (in)		
Standard	1.6 (0.063)	
Allowable limit	1.4 (0.055)	
Clearance mm (in)		
Standard	0.7 - 1.1 (0.028 - 0.043)	
Allowable limit	1.7 (0.067)	
Thickness of retaining plates	Thickness mm (in)	Part number
	3.0 (0.118)	31537-80X65
	3.2 (0.126)	31537-80X66
	3.4 (0.134)	31537-80X67
	3.6 (0.142)	31537-80X68
	3.8 (0.150)	31537-80X69
Low & reverse brake		
Number of drive plates	7	
Number of driven plates	8	
Drive plate thickness mm (in)		
Standard	1.8 (0.071)	
Allowable limit	1.6 (0.063)	
Clearance mm (in)		
Standard	1.7 - 2.1 (0.067 - 0.083)	
Allowable limit	3.5 (0.138)	
Thickness of retaining plates	Thickness mm (in)	Part number
	2.0 (0.079)	31667-80X00
	2.2 (0.087)	31667-80X01
	2.4 (0.094)	31667-80X02
	2.6 (0.102)	31667-80X03
	2.8 (0.110)	31667-80X04
	3.0 (0.118)	31667-80X05
	3.2 (0.126)	31667-80X06
3.4 (0.134)	31667-80X07	
Brake band		
Anchor end pin tightening torque N·m (kg-m, in-lb)	3.9 - 5.9 (0.4 - 0.6, 35 - 52)	
Number of returning revolutions for anchor end pin	2.5	
Lock nut tightening torque N·m (kg-m, ft-lb)	31 - 36 (3.2 - 3.7, 23 - 27)	

GI

MA

EM

LC

EC

FE

CL

MT

AT

FA

RA

BR

ST

RS

BT

HA

EL

IDX

SERVICE DATA AND SPECIFICATIONS (SDS)

Specifications and Adjustments (Cont'd)

FINAL DRIVE

Differential side gear clearance

Clearance between side gear and differential case with washer mm (in)	0.1 - 0.2 (0.004 - 0.008)
--	---------------------------

Differential side gear thrust washers

RE4F04A

Thickness mm (in)	Part number
0.75 (0.0295)	38424-81X00
0.80 (0.0315)	38424-81X01
0.85 (0.0335)	38424-81X02
0.90 (0.0354)	38424-81X03
0.95 (0.0374)	38424-81X04

RE4F04V

Thickness mm (in)		Part number
Viscous coupling side	0.43 - 0.45 (0.0169 - 0.0177)	38424-51E10
	0.52 - 0.54 (0.0205 - 0.0213)	38424-51E11
	0.61 - 0.63 (0.0240 - 0.0248)	38424-51E12
	0.70 - 0.72 (0.0276 - 0.0283)	38424-51E13
	0.79 - 0.81 (0.0311 - 0.0319)	38424-51E14
Differential case side	0.75 - 0.80 (0.0295 - 0.0315)	38424-E3000
	0.80 - 0.85 (0.0315 - 0.0335)	38424-E3001
	0.85 - 0.90 (0.0335 - 0.0354)	38424-E3002
	0.90 - 0.95 (0.0354 - 0.0374)	38424-E3003

Differential side bearing preload adjusting shims

RE4F04A

Thickness mm (in)	Part number
0.48 (0.0189)	31438-80X00
0.52 (0.0205)	31438-80X01
0.56 (0.0220)	31438-80X02
0.60 (0.0236)	31438-80X03
0.64 (0.0252)	31438-80X04
0.68 (0.0268)	31438-80X05
0.72 (0.0283)	31438-80X06
0.76 (0.0299)	31438-80X07
0.80 (0.0315)	31438-80X08
0.84 (0.0331)	31438-80X09
0.88 (0.0346)	31438-80X10
0.92 (0.0362)	31438-80X11

RE4F04V

Thickness mm (in)	Part number
0.36 (0.0142)	38753-56E00
0.40 (0.0157)	38753-56E01
0.44 (0.0173)	38753-56E02
0.48 (0.0189)	38753-56E03
0.52 (0.0205)	38753-56E04
0.56 (0.0220)	38753-56E05
0.60 (0.0236)	38753-56E06
0.64 (0.0252)	38753-56E07
0.68 (0.0268)	38753-56E08
0.72 (0.0283)	38753-56E09
0.76 (0.0299)	38753-56E10
0.80 (0.0315)	38753-56E11
0.84 (0.0331)	38753-56E12
0.88 (0.0346)	38753-56E13
0.92 (0.0362)	38753-56E14
0.12 (0.0047)	38753-56E15
0.16 (0.0063)	38753-56E16
0.20 (0.0079)	38753-56E17
0.24 (0.0094)	38753-56E18
0.28 (0.0110)	38753-56E19
0.32 (0.0126)	38753-56E20

SERVICE DATA AND SPECIFICATIONS (SDS)

Specifications and Adjustments (Cont'd)

Bearing preload

Differential side bearing preload mm (in)	0.05 - 0.09 (0.0020 - 0.0035)
--	-------------------------------

Turning torque

Turning torque of final drive assembly N·m (kg-cm, in-lb)	0.78 - 1.37 (8.0 - 14.0, 6.9 - 12.2)
--	--------------------------------------

Clutch and brake return springs

Unit: mm (in)

Parts	Free length	Outer diameter
Forward clutch (Overrun clutch) (22 pcs)	21.4 (0.843)	10.3 (0.406)
High clutch (12 pcs)	22.5 (0.886)	10.8 (0.425)

PLANETARY CARRIER AND OIL PUMP

Planetary carrier		
Clearance between planetary carrier and pinion washer mm (in)		
Standard	0.20 - 0.70 (0.0079 - 0.0276)	
Allowable limit	0.80 (0.0315)	
Oil pump		
Oil pump side clearance mm (in)	0.030 - 0.050 (0.0012 - 0.0020)	
Thickness of inner gears and outer gears	Inner gear	
	Thickness mm (in)	Part number
	11.99 - 12.0 (0.4720 - 0.4724)	31346-80X00
	11.98 - 11.99 (0.4717 - 0.4720)	31346-80X01
	11.97 - 11.98 (0.4713 - 0.4717)	31346-80X02
	Outer gear	
	Thickness mm (in)	Part number
	11.99 - 12.0 (0.4720 - 0.4724)	31347-80X00
	11.98 - 11.99 (0.4717 - 0.4720)	31347-80X01
	11.97 - 11.98 (0.4713 - 0.4717)	31347-80X02
Clearance between oil pump housing and outer gear mm (in)		
Standard	0.111 - 0.181 (0.0044 - 0.0071)	
Allowable limit	0.181 (0.0071)	
Oil pump cover seal ring clearance mm (in)		
Standard	0.1 - 0.25 (0.0039 - 0.0098)	
Allowable limit	0.25 (0.0098)	

INPUT SHAFT

Input shaft seal ring clearance mm (in)	
Standard	0.08 - 0.23 (0.0031 - 0.0091)
Allowable limit	0.23 (0.0091)

REDUCTION PINION GEAR

Turning torque

Turning torque of reduction pinion gear N·m (kg-cm, in-lb)	0.05 - 0.39 (0.5 - 4.0, 0.43 - 3.47)
---	---

Reduction pinion gear bearing adjusting shims

Thickness mm (in)	Part number
5.10 (0.2008)	31439-81X05
5.12 (0.2016)	31439-81X06
5.14 (0.2024)	31439-81X07
5.16 (0.2031)	31439-81X08
5.18 (0.2039)	31439-81X09
5.20 (0.2047)	31439-81X10
5.22 (0.2055)	31439-81X11
5.24 (0.2063)	31439-81X12
5.26 (0.2071)	31439-81X13
5.28 (0.2079)	31439-81X14
5.30 (0.2087)	31439-81X15
5.32 (0.2094)	31439-81X16
5.34 (0.2102)	31439-81X17
5.36 (0.2110)	31439-81X18
5.38 (0.2118)	31439-81X19
5.40 (0.2126)	31439-81X20
5.42 (0.2134)	31439-81X21
5.44 (0.2142)	31439-81X22
5.46 (0.2150)	31439-81X23
5.48 (0.2157)	31439-81X24
5.50 (0.2165)	31439-81X46
5.52 (0.2173)	31439-81X47
5.54 (0.2181)	31439-81X48
5.56 (0.2189)	31439-81X49
5.58 (0.2197)	31439-81X60
5.60 (0.2205)	31439-81X61
5.62 (0.2213)	31439-81X62
5.64 (0.2220)	31439-81X63
5.66 (0.2228)	31439-81X64
5.68 (0.2236)	31439-81X65
5.70 (0.2244)	31439-81X66
5.72 (0.2252)	31439-81X67
5.74 (0.2260)	31439-81X68
5.76 (0.2268)	31439-81X69
5.78 (0.2276)	31439-81X70
5.80 (0.2283)	31439-81X71
5.82 (0.2291)	31439-81X72
5.84 (0.2299)	31439-81X73
5.86 (0.2307)	31439-81X74
5.88 (0.2315)	31439-81X75
5.90 (0.2323)	31439-81X76
5.92 (0.2331)	31439-81X77
5.94 (0.2339)	31439-81X78
5.96 (0.2346)	31439-81X79

GI
WA
EM
LC
EC
FE
CL
MT
AT
FA
RA
BR
ST
RS
BT
HA
EL
DX

SERVICE DATA AND SPECIFICATIONS (SDS)

Specifications and Adjustments (Cont'd)

5.98 (0.2354)	31439-81X80
6.00 (0.2362)	31439-81X81
6.02 (0.2370)	31439-81X82
6.04 (0.2378)	31439-81X83
6.06 (0.2386)	31439-81X84
6.08 (0.2394)	31439-82X00
6.10 (0.2402)	31439-82X01
6.12 (0.2409)	31439-82X02
6.14 (0.2417)	31439-82X03
6.16 (0.2425)	31439-82X04
6.18 (0.2433)	31439-82X05
6.20 (0.2441)	31439-82X06
6.22 (0.2449)	31439-82X07
6.24 (0.2457)	31439-82X08
6.26 (0.2465)	31439-82X09
6.28 (0.2472)	31439-82X10
6.30 (0.2480)	31439-82X11
6.32 (0.2488)	31439-82X12
6.34 (0.2496)	31439-82X13
6.36 (0.2504)	31439-82X14
6.38 (0.2512)	31439-82X15
6.40 (0.2520)	31439-82X16
6.42 (0.2528)	31439-82X17
6.44 (0.2535)	31439-82X18
6.46 (0.2543)	31439-82X19
6.48 (0.2551)	31439-82X20
6.50 (0.2559)	31439-82X21
6.52 (0.2567)	31439-82X22
6.54 (0.2575)	31439-82X23
6.56 (0.2583)	31439-82X24
6.58 (0.2591)	31439-82X60
6.60 (0.2598)	31439-82X61

REVERSE CLUTCH END PLAY

Reverse clutch end play mm (in)	0.55 - 0.90 (0.0217 - 0.0354)
------------------------------------	-------------------------------

Thrust washers for adjusting reverse clutch drum end play

Thickness mm (in)	Part number
0.80 (0.0315)	31508-80X13
0.95 (0.0374)	31508-80X15
1.10 (0.0433)	31508-80X16
1.25 (0.0492)	31508-80X17
1.40 (0.0551)	31508-80X14
1.55 (0.0610)	31508-80X18
1.70 (0.0669)	31508-80X19
1.85 (0.0728)	31508-80X20

ACCUMULATOR

O-ring

Unit: mm (in)

Accumulator	Inner diameter (Small)	Inner diameter (Large)
Servo release accumulator	26.9 (1.059)	44.2 (1.740)
N-D accumulator	34.6 (1.362)	39.4 (1.551)

Return spring

Unit: mm (in)

Accumulator	Free length	Outer diameter
Servo release accumulator	52.5 (2.067)	20.4 (0.803)
N-D accumulator	43.5 (1.713)	28.0 (1.102)

BAND SERVO

Return spring

Unit: mm (in)

Return spring	Free length	Outer diameter
2nd servo return spring	32.5 (1.280)	25.9 (1.020)
OD servo return spring	31.0 (1.220)	21.7 (0.854)

REMOVAL AND INSTALLATION

Unit: mm (in)

Distance between end of converter housing and torque converter	14 (0.55)
--	-----------

OUTPUT SHAFT

Seal ring clearance

Output shaft seal ring clearance mm (in)	
Standard	0.10 - 0.25 (0.0039 - 0.0098)
Allowable limit	0.25 (0.0098)

End play

Output shaft end play	mm (in)	0 - 0.15 (0 - 0.0059)
-----------------------	---------	-----------------------

SERVICE DATA AND SPECIFICATIONS (SDS)

Specifications and Adjustments (Cont'd)

Output shaft adjusting shims

Thickness mm (in)	Part number
0.80 (0.0315)	31438-80X60
0.84 (0.0331)	31438-80X61
0.88 (0.0346)	31438-80X62
0.92 (0.0362)	31438-80X63
0.96 (0.0378)	31438-80X64
1.00 (0.0394)	31438-80X65
1.04 (0.0409)	31438-80X66
1.08 (0.0425)	31438-80X67
1.12 (0.0441)	31438-80X68
1.16 (0.0457)	31438-80X69
1.20 (0.0472)	31438-80X70

BEARING RETAINER

Seal ring clearance

Bearing retainer seal ring clearance mm (in)	
Standard	0.10 - 0.30 (0.0039 - 0.0118)
Allowable limit	0.30 (0.0118)

TOTAL END PLAY

Total end play	mm (in)	0.25 - 0.55 (0.0098 - 0.0217)
----------------	---------	-------------------------------

Bearing race for adjusting total end play

Thickness mm (in)	Part number
0.8 (0.031)	31435-80X00
1.0 (0.039)	31435-80X01
1.2 (0.047)	31435-80X02
1.4 (0.055)	31435-80X03
1.6 (0.063)	31435-80X04
1.8 (0.071)	31435-80X05
2.0 (0.079)	31435-80X06
0.9 (0.035)	31435-80X09
1.1 (0.043)	31435-80X10
1.3 (0.051)	31435-80X11
1.5 (0.059)	31435-80X12
1.7 (0.067)	31435-80X13
1.9 (0.075)	31435-80X14

GI
MA
EM
LC
EC
FE
CL
MT
AT
FA
RA
BR
ST
RS
BT
HA
EL
IDX